

NO.	DWG/SUPPLIER	CFG/SUPPLIER NO.	DESCRIPTION	QTY
1	2195-002	Default	FRAME 30 x 48 x 36 SERIES 4000	1
2	2284-001	(42")	ROBUST MOUNTING RAIL CAGE-NUT 5.25" FOR BRUSH	4
3	2153-001	Default	HIGH DENSITY RAIL CABLE MGT 24RU (42)	2
4	2472-022	Default	U.A.C. / V.C.M. 24RU 1 x (42) x 6	1
5	1305039067	(27)	TOP COVER 4 FAN CUT-OUTS 6"	1
6	1305038320	default	TOP FRONT COVER PLATE	2
7	1305027783	Default	6" FAN CUTOUT COVER PLATE	4
8	1305028741	Default	PERFORATED DOOR (27 x 42)	1
9	1305028742	Default	SPLIT DOOR PERFORATED LH (27 x 42)	1
10	1305028743	27 x 42	SPLIT DOOR PERFORATED RH (27 x 42)	1
11	1305028637	(42) x 36 PANEL	SIDE PANEL (42) x 36 WITH LOCKS	2
12	OHIO NUT & BOLT	FH 4440	LEVELLER, STEEL BASE 1/2-13	4

NOTES:

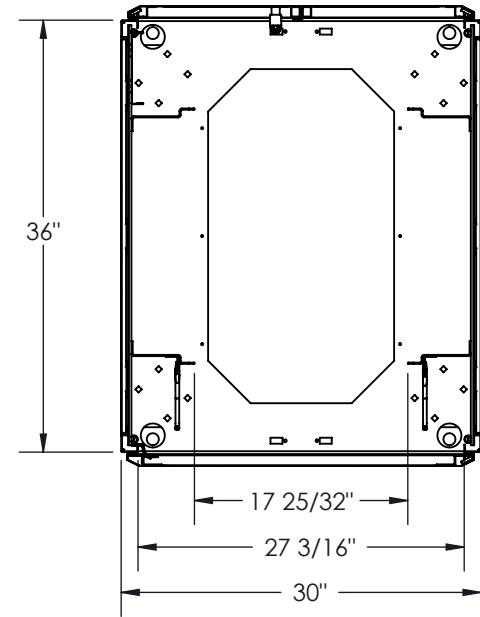
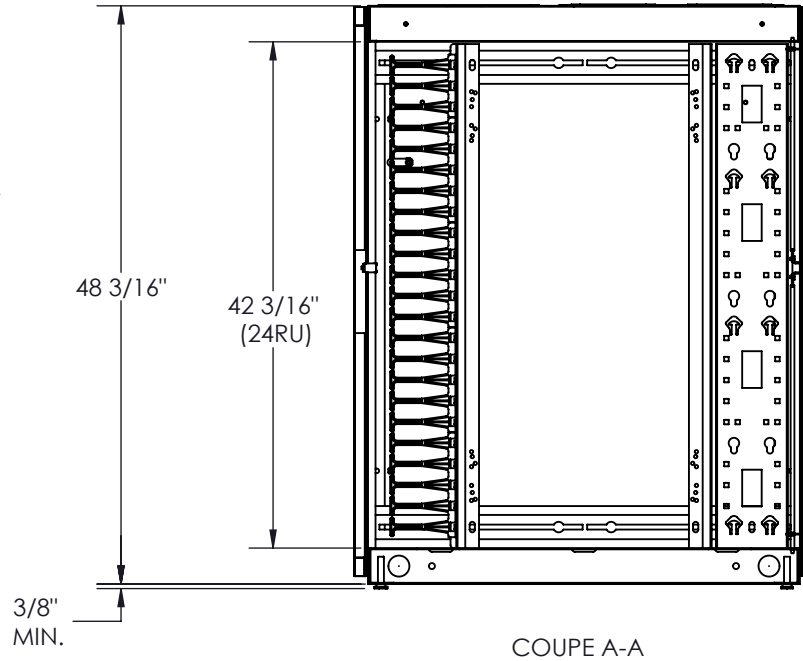
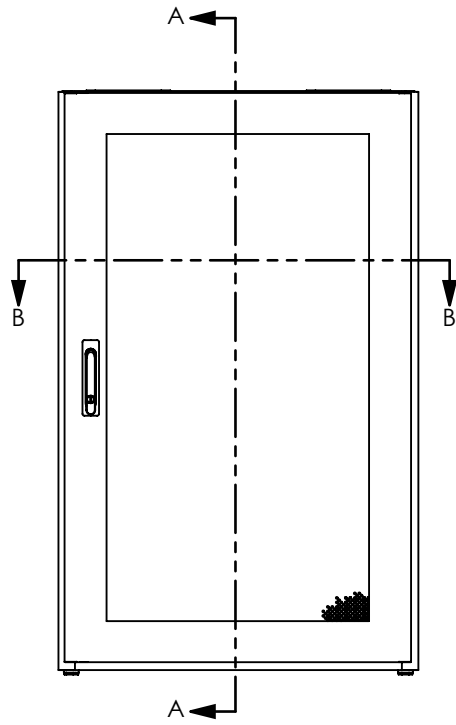
- 1 - MOUNTING RAIL TO HAVE RU MARKINGS.
- 2 - APPROXIMATE WEIGHT: 217 LBS.
- 3 - CAPACITY: 3000 LBS
- 4 - 100 CAGE-NUTS 10-32 SHIPPED LOOSE.
- 5 - 100 TRUSS HEAD SCREW 10-32 x 1/2 SHIPPED LOOSE.
- 6 - CERTIFIED TO CSA STANDARD C22.2 NO. 70950-1
- 7 - FINISH : TEXTURED POWDER COAT



**PROPRIETARY AND CONFIDENTIAL**  
 THE INFORMATION CONTAINED IN THIS DRAWING IS THE SOLE PROPERTY OF ELECTRON METAL A.I.G. INC. ANY REPRODUCTION IN PART OR AS A WHOLE WITHOUT THE WRITTEN PERMISSION OF A.I.G. ELECTRON METAL INC IS PROHIBITED.

APPROVED BY:  
 E.D.

DRAWN BY: R.B.	Title:  SERIES 4000 24RU (27 x 42) x 36 HD CFG 30 x 48x 36	PROJECT: G:\SWDwgs\Cabinets\Ser4000\EnsemblesReseauHD\		FILE: KitHD27x42x36_2988-007_Eng		
CHECKED BY: R.B.		PART NO: CB4KNH-272436	DRAWING NO: 2988-007	REV.: -	SCALE: 3:64	DATE: 2021-05-13



**Electron** PROUDLY MANUFACTURED IN CANADA.  
**METAL**

**PROPRIETARY AND CONFIDENTIAL**  
 THE INFORMATION CONTAINED IN THIS DRAWING IS THE SOLE PROPERTY OF ELECTRON METAL A.I.G. INC. ANY REPRODUCTION IN PART OR AS A WHOLE WITHOUT THE WRITTEN PERMISSION OF A.I.G. ELECTRON METAL INC IS PROHIBITED.

APPROVED BY:  
 E.D.

DRAWN BY:  
 R.B.  
 CHECKED BY:  
 R.B.

Title:

SERIES 4000 24RU (27 x 42) x 36 HD CFG  
 30 x 48x 36

PROJECT:  
 G:\SWDwgs\Cabinets\Ser4000\EnsemblesReseauHD\

FILE:  
 KitHD27x42x36\_2988-007\_Eng

PART NO:  
 CB4KNH-272436

DRAWING NO:  
 2988-007

REV.:  
 -

SCALE:  
 1:16

DATE:  
 2021-05-13

SHEET:  
 2 / 2