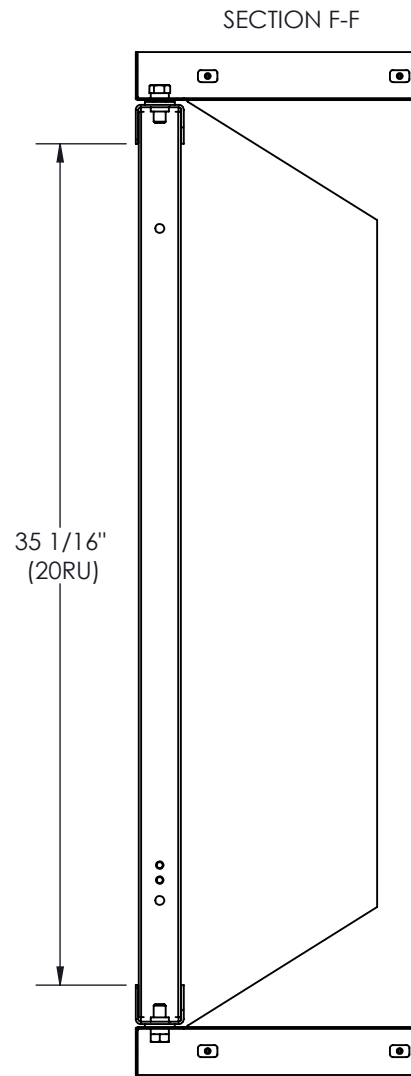
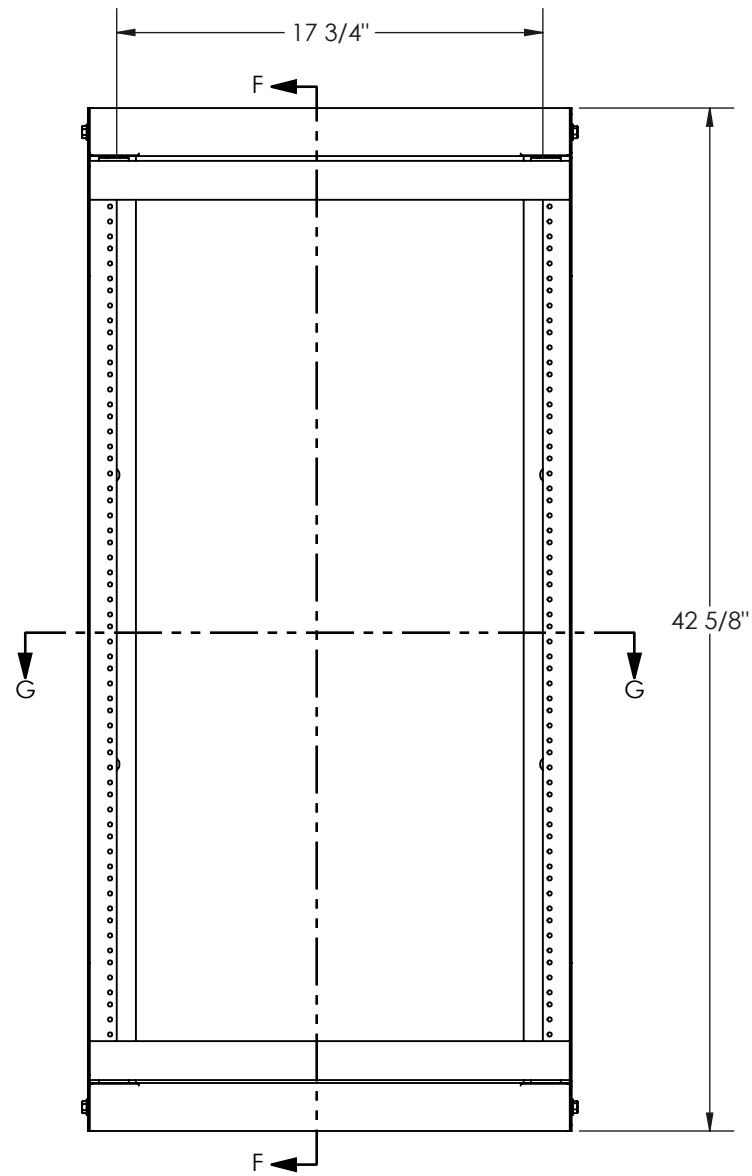
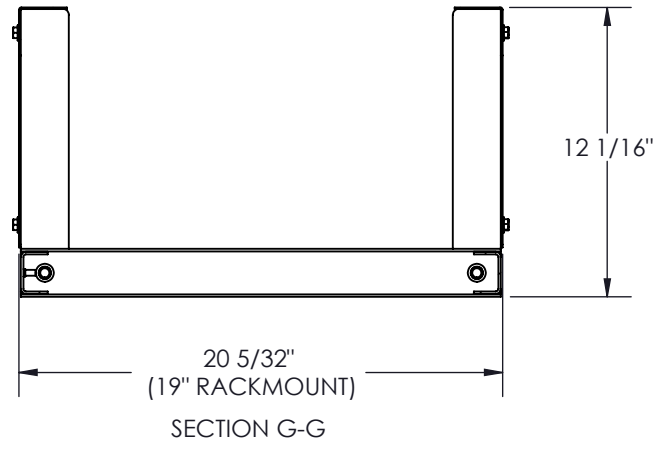
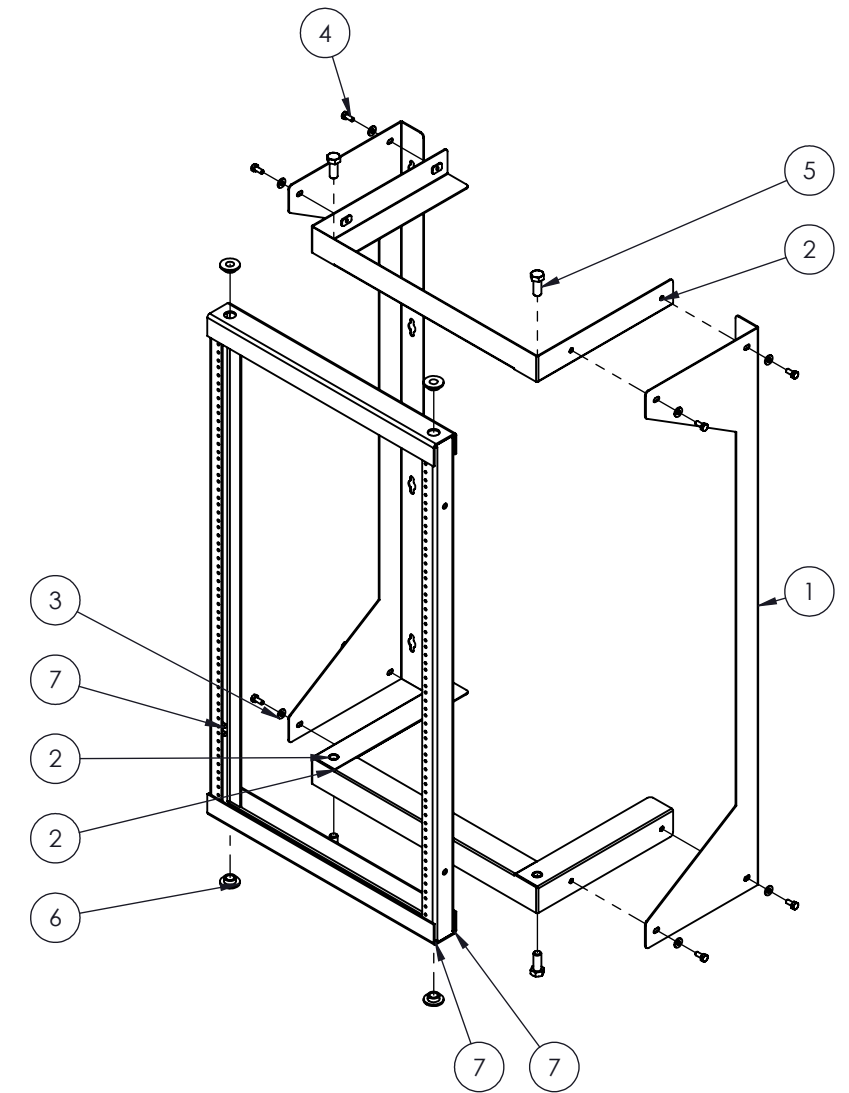


| COLOR | PT# SUFFIX |
|-------|------------|
| BLACK | -BK        |
| WHITE | -WH        |
| GREY  | -GY        |



| NO. | DWG/SUPPLIER | CFG/SUPPLIER NO.  | DESCRIPTION                             | QTY |
|-----|--------------|-------------------|---|-----|
| 1   | 156201       | RACK (35) x 12    | SIDE, LIGHT DUTY                        | 2   |
| 2   | 1503024132   | Default           | TOP/BOTTOM LIGHT FRAME ASSEM. (19) x 12 | 2   |
| 3   | TECHNI-VIS   | *.250             | FLAT WASHER 1/4"                        | 8   |
| 4   | FASTENAL     | *0.250-20 x 0.625 | HEX BOLT                                | 8   |
| 5   | FASTENAL     | *0.500-13 x 1.250 | HEX BOLT 1/2-13 x 1 1/4                 | 4   |
| 6   | 1540         | Default           | NYLON BUSHING                           | 4   |
| 7   | 1305023473   | Default           | RACK FRAME (19 x 35)                    | 1   |



**Electron METAL** PROUDLY MANUFACTURED IN CANADA

**CONFIDENTIAL**  
 THE INFORMATION CONTAINED IN THIS DRAWING IS THE SOLE PROPERTY OF ELECTRON METAL A.I.G. INC. ANY REPRODUCTION IN PART OR AS A WHOLE WITHOUT THE WRITTEN PERMISSION OF A.I.G. ELECTRON METAL INC IS PROHIBITED.

APPROVED BY:  
E.D.

|                                       |  |
|---------------------------------------|--|
| DRAWN BY:<br>E. DUCHESNEAU            | TITLE:<br>LIGHT PIVOTING RACKS (19 x 21) x12 |
| CHECKED BY:<br>E. DUCHESNEAU          |  |
| FILE:<br>Leger19x35x12_1305024151_Eng |  |
| PART NO.:<br>WRSSLD-192012            | DWG NO.:<br>1305024151                       |
| REV:<br>A                             | SCALE:<br>1:8                                |
| DATE:<br>2007-03-13                   | SHEET:<br>1 / 1                              |

G:\SWDwgs\WallMount\Racks\Swing\_Out\