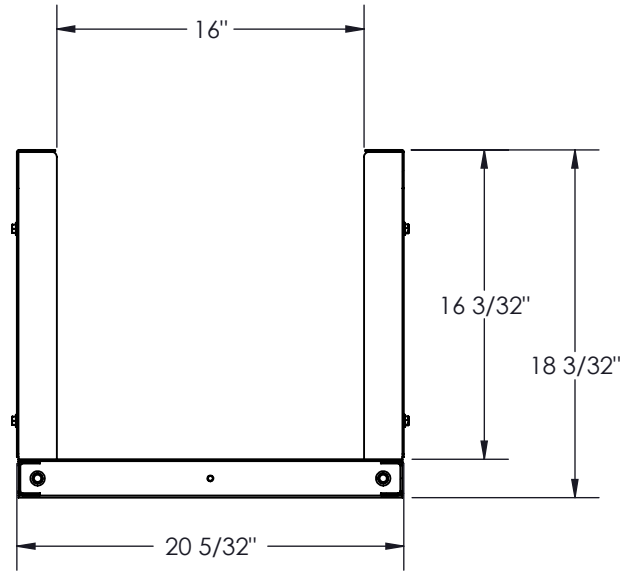


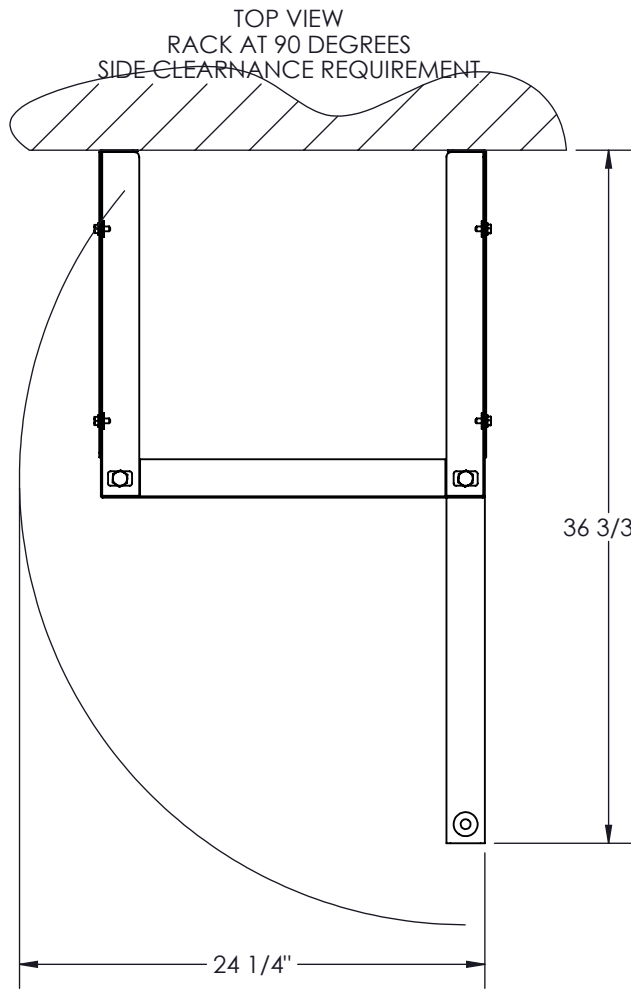
COLOR	PT# SUFFIX
BLACK	-BK
WHITE	-WH
GREY	-GY

NO.	DWG/SUPPLIER	CFG/SUPPLIER NO.	DESCRIPTION	QTY
1	156201	RACK (21) x 18	SIDE, LIGHT DUTY	2
2	-	Default	TOP / BOTTOM ASS'Y (19) x 18	2
3	TECHNI-VIS	*.250	FLAT WASHER 1/4"	8
4	FASTENAL	*0.250-20 x 0.625	HEX BOLT	8
5	FASTENAL	*0.500-13 x 1.250	HEX BOLT 1/2-13 x 1 1/4	4
6	1540	Default	NYLON BUSHING	4
7	1305023466	Default	FRAME (19 x 21)	1

D

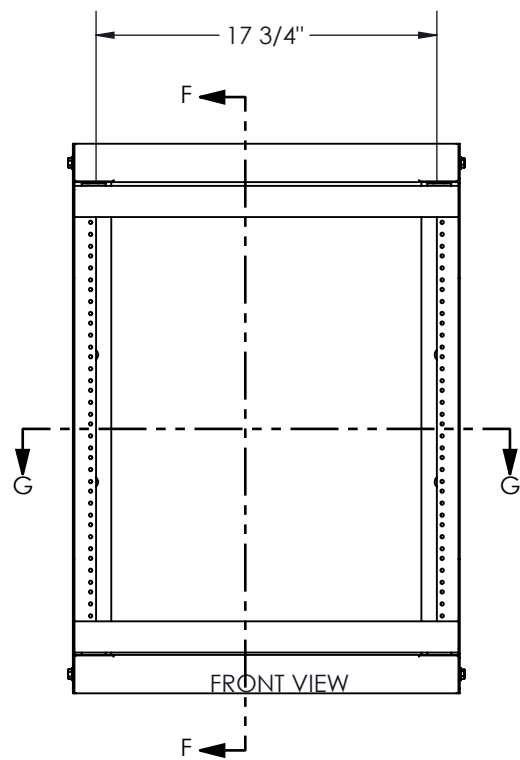


SECTION G-G

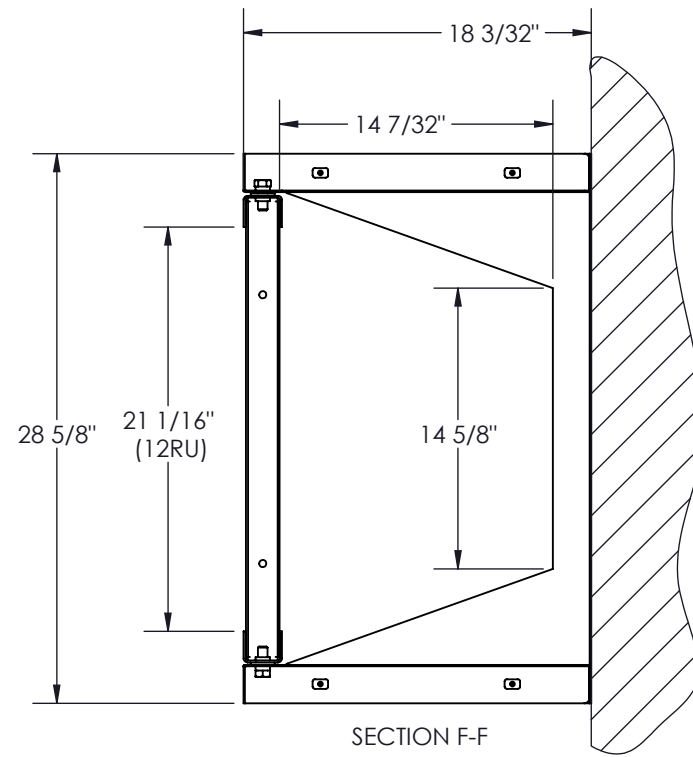


D

B



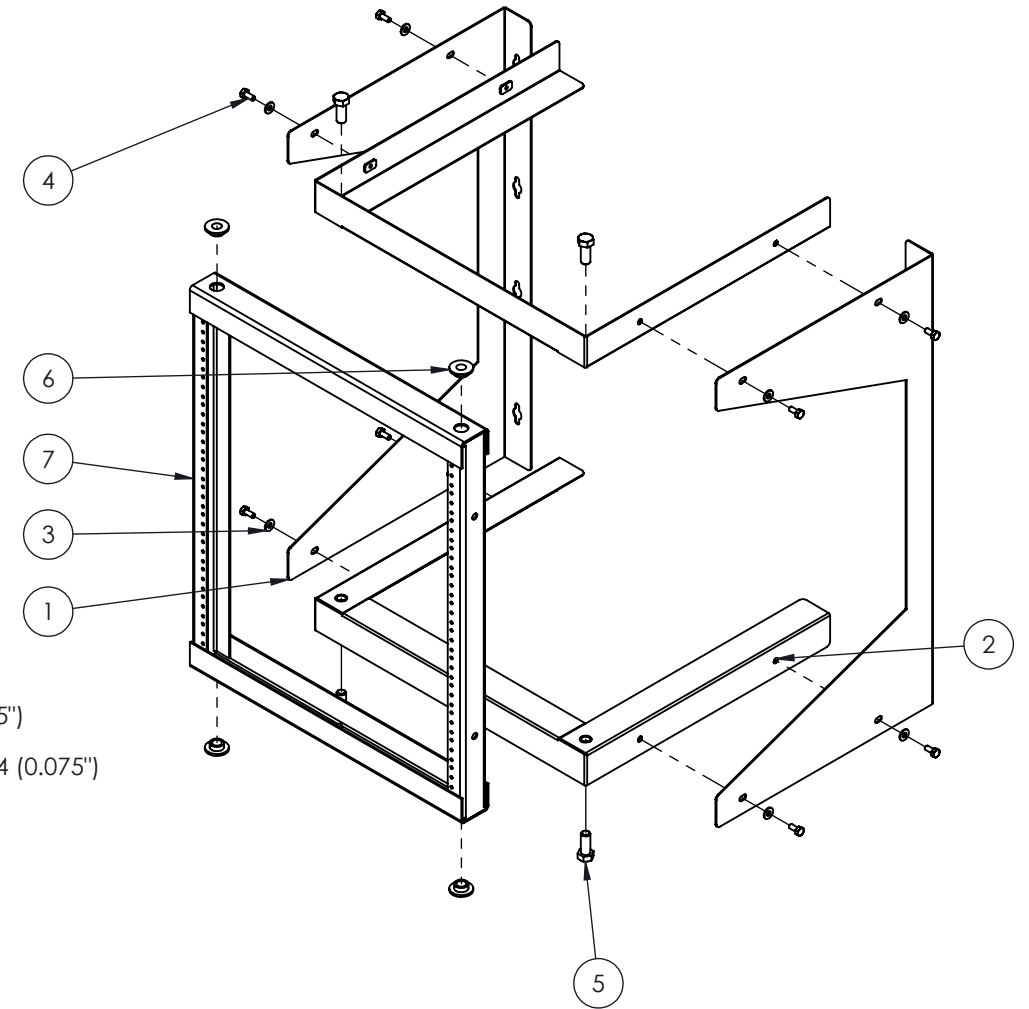
FRONT VIEW



SECTION F-F

NOTES:

- 1 - APPROX. WEIGHT: 30.42 LBS
- 2 - FINISH: TEXTURED POWDER COATING
- 3 - MATERIAL:
  - 1 - FRAME: STEEL CRS GAUGE 12 ( 0.105")
  - 2 - SIDE: STEEL CRS GAUGE 14 (0.075")
  - 3 - TOP&BOTTOM: STEEL CRS GAUGE 14 (0.075")
- 4 - CONSTRUCT: FRAME FULLY WELDED
- 5 - INCLUDES: ASSEMBLY HARDWARE



C

B

A

<p>PROUDLY MANUFACTURED IN CANADA</p> <p>CONFIDENTIAL</p> <p>THE INFORMATION CONTAINED IN THIS DRAWING IS THE SOLE PROPERTY OF ELECTRON METAL A.I.G. INC. ANY REPRODUCTION IN PART OR AS A WHOLE WITHOUT THE WRITTEN PERMISSION OF A.I.G. ELECTRON METAL INC IS PROHIBITED.</p>	DRAWN BY: E.D.	TITLE: SWING RACK LIGHT DUTY (19 x 21) x 18
	CHECKED BY: J.L.P.	
APPROVED BY:	FILE: Leger19x21x18_1305024145_Eng	DWG NO.: 1305024145
PART NO.: WRSSLD-191218	REV.: -	SCALE: 1:10
DATE: 2007-03-19	SHEET: 1 / 1	