

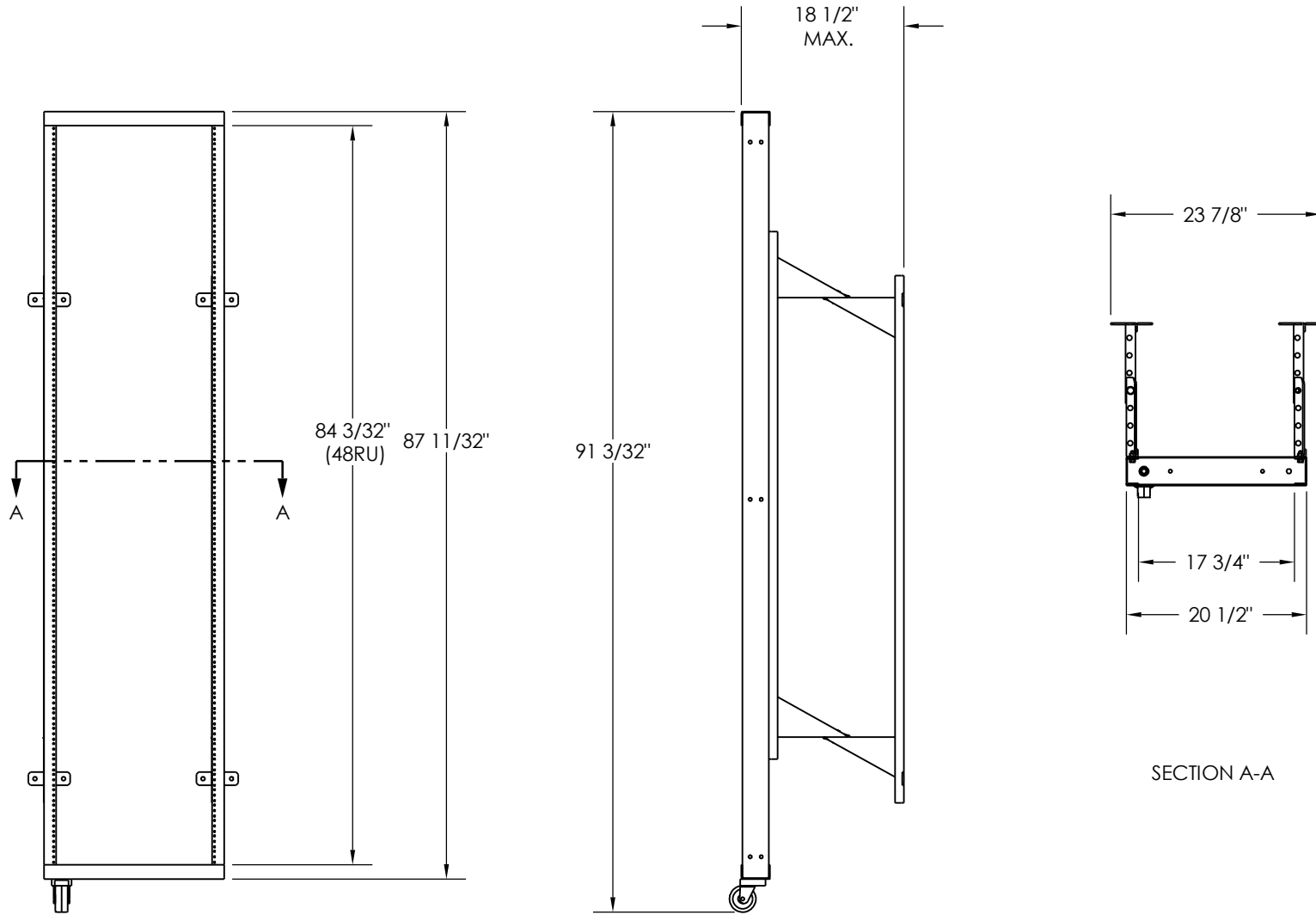
No.	NOTE	DESCRIPTION	QTE
1	13703	RACK SUPPORT	2
2	13704	BÂTI (19 x 84)	1
3	1/2"	LOCK WASHER	3
4	1/2-13 x 1	HEX. BOLT	2
5	1/2-13	HEX. NUT	3
6	1/2"	WASHER	1
7	3/8"	LOCK WASHER	10
8	3/8-16 x 1	HEX. BOLT	10
9	3/8-16	HEX. NUT	10
10	CAN AM 336P521SPA	3" CASTER THREADED ROD	1
11	13702	WALL SUPPORT	1
12	13701	WALL SUPPORT HINGED	1



**PROPRIETARY AND CONFIDENTIAL**  
 THE INFORMATION CONTAINED IN THIS  
 DRAWING IS THE SOLE PROPERTY OF  
 ELECTRON METAL INC. ANY  
 REPRODUCTION IN PART OR AS A WHOLE  
 WITHOUT THE WRITTEN PERMISSION OF A.J.G.  
 ELECTRON METAL INC IS PROHIBITED.

**CONFIDENTIEL**  
 L'INFORMATION CONTENUE DANS  
 CE DESSIN EST L'ENTIÈRE PROPRIÉTÉ  
 D'ELECTRON METAL INC. TOUTE  
 REPRODUCTION PARTIELLE OU  
 EXHAUSTIVE SANS PERMISSION ÉCRITE  
 D'ELECTRON METAL A.J.G. INC EST INTERDITE.

DRAWN BY/DESSINÉ PAR:		Title/Titre: SWING RACK (19 x 84)		
CHECKED BY/VÉRIFIÉ PAR:				
PROJECT/PROJET: WallMount/Racks/SwingOutFullsize		FILE/FICHER: SwingRack19x84_1370A_ENG		REV./REV.: A
PART NO./NO. DE PIÈCE: WRSFKT-194818	DRAWING NO./NO. DE DESSIN: 1370	SCALE/ÉCHELLE: 1:16	DATE: 2008-01-29	SHEET/PAGE: 1 / 2



**PROPRIETARY AND CONFIDENTIAL**  
 THE INFORMATION CONTAINED IN THIS DRAWING IS THE SOLE PROPERTY OF ELECTRON METAL INC. ANY REPRODUCTION IN PART OR AS A WHOLE WITHOUT THE WRITTEN PERMISSION OF A.J.G. ELECTRON METAL INC IS PROHIBITED.

**CONFIDENTIEL**  
 L'INFORMATION CONTENUE DANS CE DESSIN EST L'ENTIERE PROPRIÉTÉ D'ELECTRON METAL INC. TOUTE REPRODUCTION PARTIELLE OU EXHAUSTIVE SANS PERMISSION ÉCRITE D'ELECTRON METAL A.J.G. INC EST INTERDITE.

DRAWN BY/DESSINÉ PAR:		Title/Titre: <b>SWING RACK (19 x 84)</b>		
CHECKED BY/VÉRIFIÉ PAR:				
PROJECT/PROJET: WallMount/Racks/SwingOut/Fullsize		FILE/FICHER: SwingRack19x84_1370A_ENG	REV./REV.: A	
PART NO./NO. DE PIÈCE: WRSFKT-194818	DRAWING NO./NO. DE DESSIN: 1370	SCALE/ÉCHELLE: 1:18	DATE: 2008-01-29	SHEET/PAGE: 2 / 2