

NO.	DESCRIPTION	QTY
1	FRAME 22 x 31 x 18	1
2	REAR SECTION (19 x 28) x 6	1
3	PLEXIGLAS DOOR 16RU (19 x 28)	1
4	REAR MALE HINGE	2
5	FEMALE FRONT HINGE	2
6	MOUNTING RAIL (1.25") TAPPED 10-32	2
7	4" FAN CUTOUT COVER PLATE	2
8	LINK ROTARY LATCH, MEDIUM	2
9	KEEPER	2
10	CLEVIS PIN 3/8 x 3/4	2
11	HAIRPIN COTTER PIN 1 1/4"	2

COLOUR	PT# SUFFIX
BLACK	-BK
WHITE	-WH
GREY	-GY

NOTES:

- 1 - CAPACITY: 150 LB
- 2 - WEIGHT: 106 LB
- 3 - CABINET IS FULLY REVERSIBLE LH OR RH SWING
- 4 - FINISH: TEXTURED POLYESTER POWDER COAT
- 5 - INCLUDING 24 TRUSS HEAD SCREWS 10-32 x 5/8 BLACK



PROPRIETARY AND CONFIDENTIAL
 THE INFORMATION CONTAINED IN THIS DRAWING IS THE SOLE PROPERTY OF ELECTRON METAL A.I.G. INC. ANY REPRODUCTION IN PART OR AS A WHOLE WITHOUT THE WRITTEN PERMISSION OF A.I.G. ELECTRON METAL INC IS PROHIBITED.

DRAWN BY:
T.M.

CHECKED BY:
T.M.

FILE:
Cabinet19x28x24_1305030760_Eng

PART NO.:
WMCRE1-191624

Title:
WALL MOUNT CABINET 16RU (19 x 28) x 24
22 x 31 x 24

APPROVED BY:
E.D.

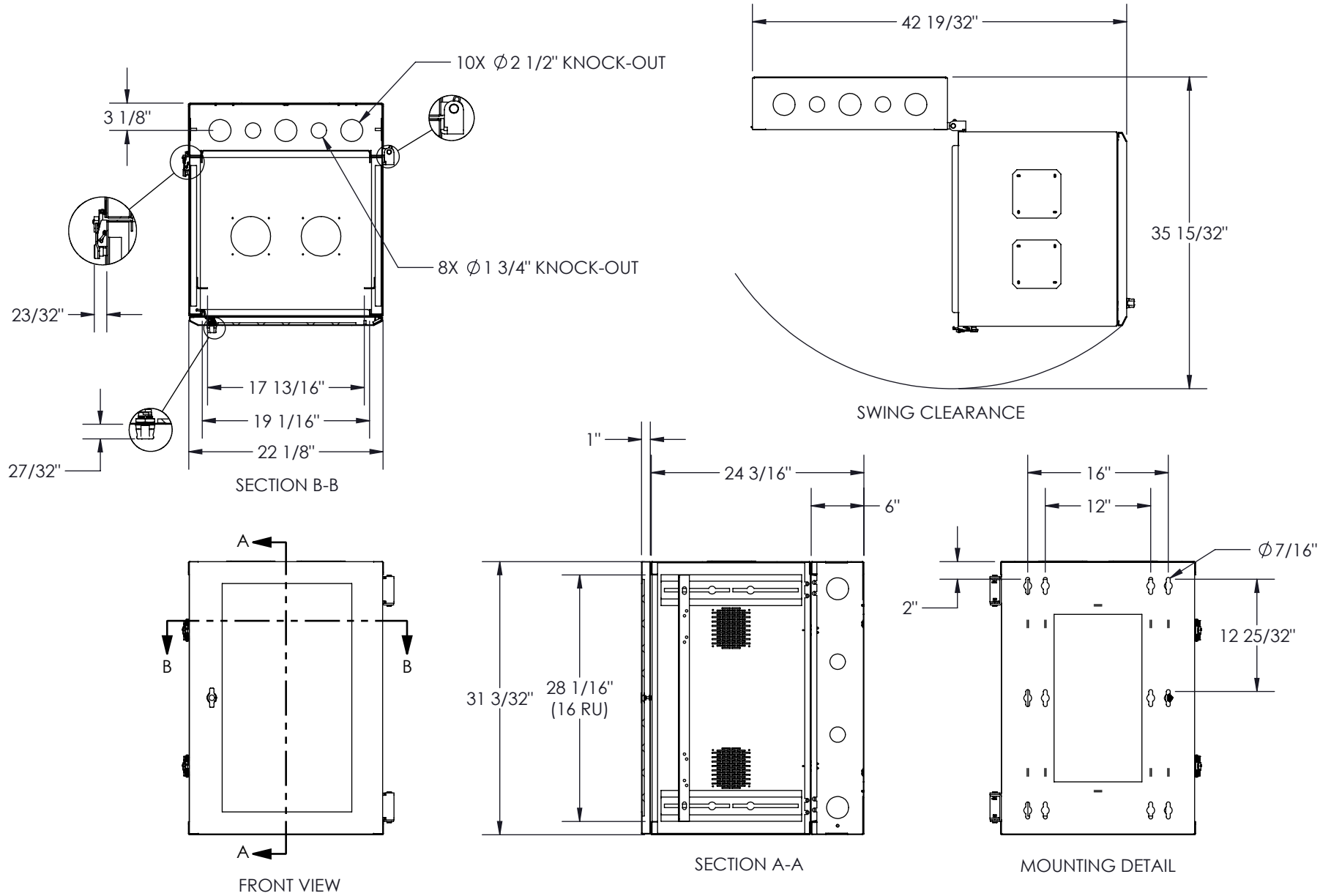
DRAWING NO.:
1305030760

REV.:
C

SCALE:
1:12

DATE:
2011-10-26

SHEET:
1 / 2



Electron METAL PROUDLY MANUFACTURED IN CANADA.

PROPRIETARY AND CONFIDENTIAL
 THE INFORMATION CONTAINED IN THIS DRAWING IS THE SOLE PROPERTY OF ELECTRON METAL A.I.G. INC. ANY REPRODUCTION IN PART OR AS A WHOLE WITHOUT THE WRITTEN PERMISSION OF A.I.G. ELECTRON METAL INC IS PROHIBITED.

APPROVED BY:
 E.D.

DRAWN BY:
 T.M.
 CHECKED BY:
 T.M.

Title:
WALL MOUNT CABINET 16RU (19 x 28) x 24
22 x 31 x 24

FILE:
 Cabinet19x28x24_1305030760_Eng

PART NO.:
WMCRE1-191624

DRAWING NO.:
 1305030760

REV.:
 C

SCALE:
 1:16

DATE:
 2011-10-26

SHEET:
 2 / 2