

NO.	DESCRIPTION	QTY
1	FRAME 12RU (19 x 21) x 18	1
2	REAR SECTION (19 x 21) x 6	1
3	MOUNTING RAIL (1.25") TAPPED 10-32	2
4	PLEXI. DOOR (19 x 21)	1
5	REAR MALE HINGE	2
6	FEMALE FRONT HINGE	2
7	4" FAN CUTOUT COVER PLATE	8
8	LINK ROTARY LATCH, MEDIUM	2
9	KEEPER	2
10	CLEVIS PIN 3/8 x 3/4	2
11	HAIRPIN COTTER PIN 1 1/4"	2

NOTES:

1 - CAPACITY: 150 LB

2 - WEIGHT: 95 LB

3 - CABINET IS FULLY REVERSIBLE LH OR RH SWING.

4 - FINISH: TEXTURED POLYESTER POWDER COAT

5 - INCLUDING 24 TRUSS HEAD SCREWS 10-32 x 5/8 BLACK

COLOUR	PT# SUFFIX
BLACK	-BK
WHITE	-WH
GREY	-GY



PROPRIETARY AND CONFIDENTIAL
 THE INFORMATION CONTAINED IN THIS DRAWING IS THE SOLE PROPERTY OF ELECTRON METAL A.I.G. INC. ANY REPRODUCTION IN PART OR AS A WHOLE WITHOUT THE WRITTEN PERMISSION OF A.I.G. ELECTRON METAL INC IS PROHIBITED.

APPROVED BY:
 E.D.

DRAWN BY:
 T.M.

CHECKED BY:
 T.M.

FILE:
 Cabinet19x21x24_1305031354_Eng

PART NO.:
 WMCRE1-191224

Title:
 WALL MOUNT CABINET 12RU (19 x 21) x 24
 22 x 24 x 24

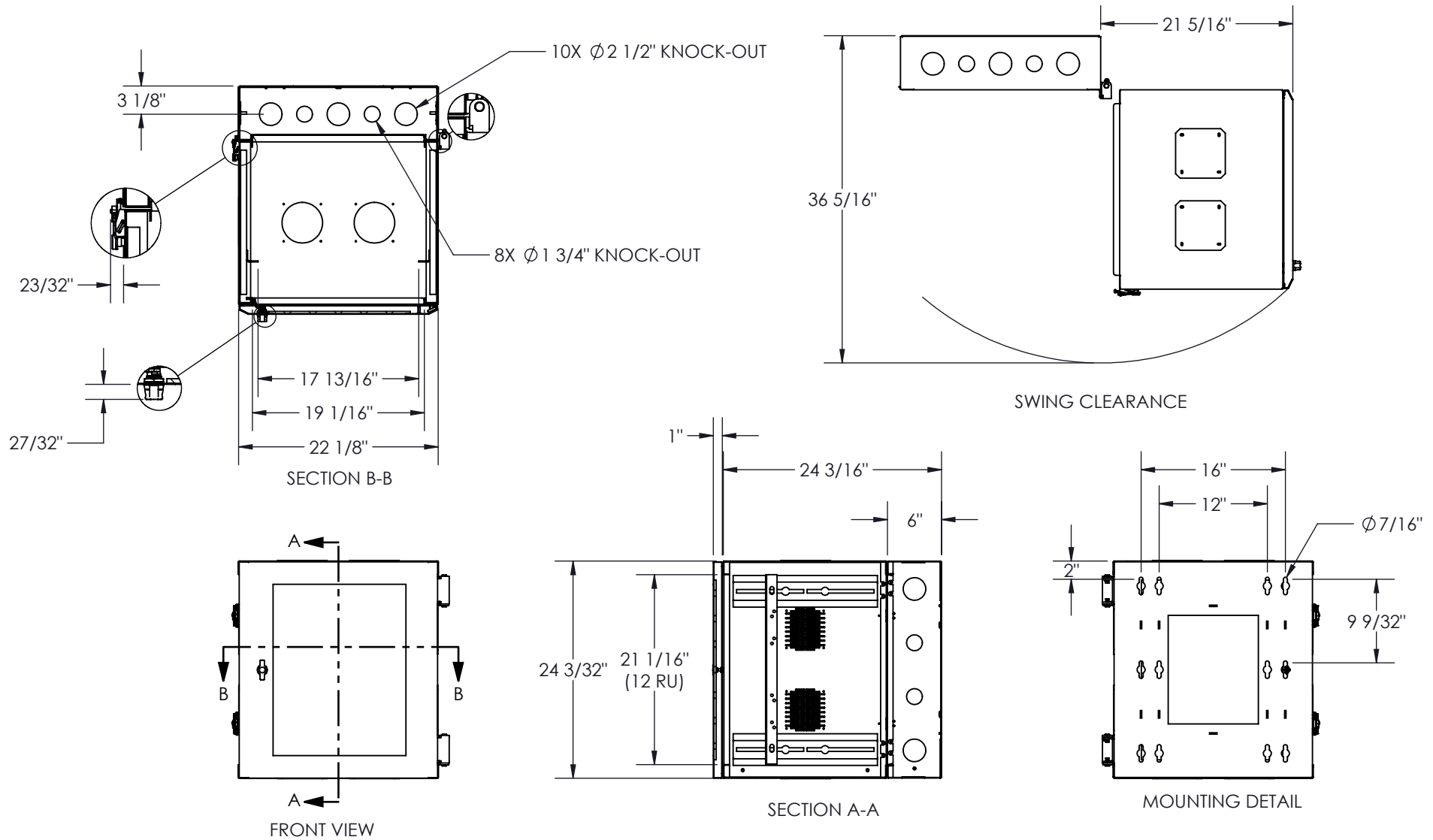
DRAWING NO.:
 1305031354

REV.:
 C

SCALE:
 3:32

DATE:
 2012-06-12

SHEET:
 1 / 2



Electron METAL PROUDLY MANUFACTURED IN CANADA.

PROPRIETARY AND CONFIDENTIAL
 THE INFORMATION CONTAINED IN THIS DRAWING IS THE SOLE PROPERTY OF ELECTRON METAL A.I.G. INC. ANY REPRODUCTION IN PART OR AS A WHOLE WITHOUT THE WRITTEN PERMISSION OF A.I.G. ELECTRON METAL INC IS PROHIBITED.

APPROVED BY:
 E.D.

DRAWN BY:
 T.M.
 CHECKED BY:
 T.M.

Title:
 WALL MOUNT CABINET 12RU (19 x 21) x 24
 22 x 24 x 24

FILE:
 Cabinet19x21x24_1305031354_Eng

PART NO.:
 WMCRE1-191224

DRAWING NO.:
 1305031354

REV.:
 C

SCALE:
 1:16

DATE:
 2012-06-12

SHEET:
 2 / 2