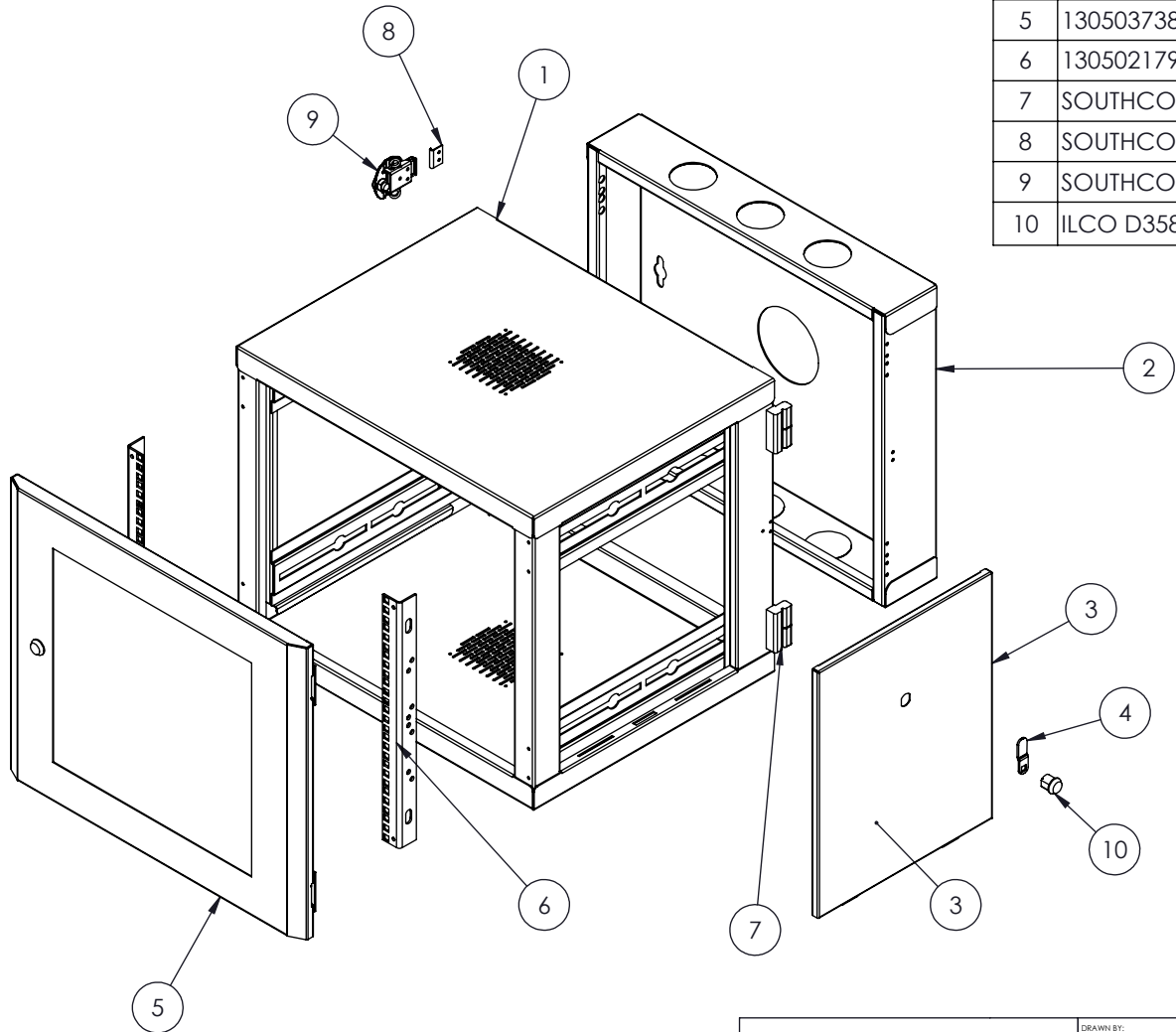



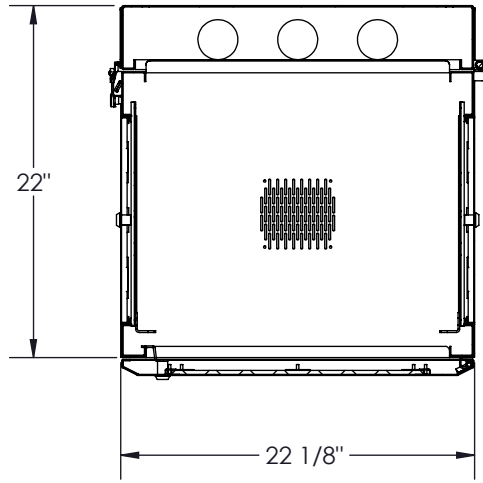
NO.	NOTE	DESCRIPTION	QTY
1	1730-002	FRAME 22 x 18 x 18	1
2	1730-005	REAR SECTION (19 x 15.75)	1
3	1305037382 - (15.75) x 17.875	SIDE PANEL	2
4	1305026886 - TROU .354, DÉCALAGE .094	CAM, SINGLE POINT	2
5	1305037380	PLEXI. DOOR (19 x 15)	1
6	1305021797 - (15.75")	MOUNTING RAIL 1.25" CAGE-NUTS	2
7	SOUTHCO 96-10-520-50	OFFSET HINGE, LARGE, LH	2
8	SOUTHCO K4-2338-07	KEEPER	1
9	SOUTHCO K4-2833-07	LINK ROTARY LATCH, MEDIUM	1
10	ILCO D35803UZ-01018 (#549)	SHORT LOCK	2



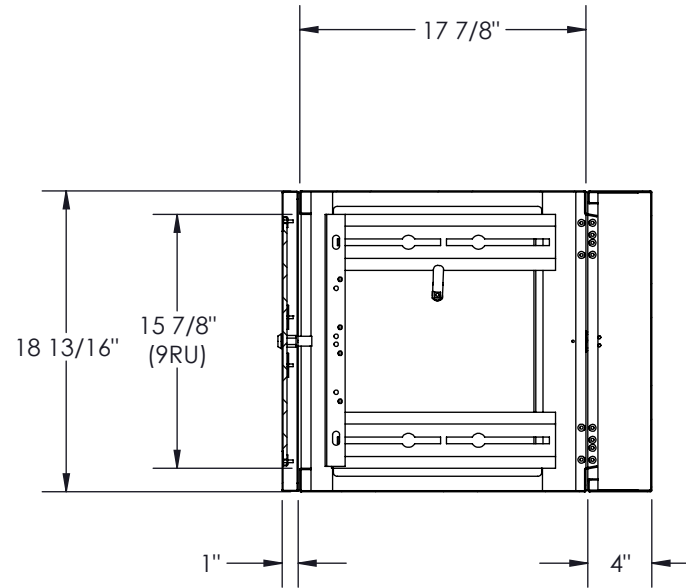
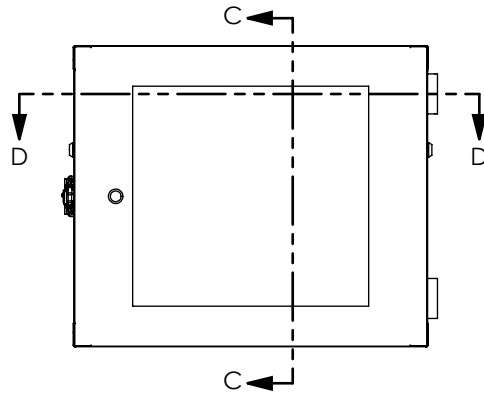
NOTES:

- 1 - MAXIMUM LOAD: 150 LB
- 2 - 20 CAGE-NUTS 10-32 SHIPPED LOOSE.

 <p>PROPRIETARY AND CONFIDENTIAL THE INFORMATION CONTAINED IN THIS DRAWING IS THE SOLE PROPERTY OF A.I.G. ELECTRON METAL INC. ANY REPRODUCTION IN PART OR AS A WHOLE WITHOUT THE WRITTEN PERMISSION OF A.I.G. ELECTRON METAL INC IS PROHIBITED.</p>	DRAWN BY: E.D.	Title: WALL MOUNT CABINET 9RU (19 x 15.75) x 22
	CHECKED BY: E.D.	
PROJECT: G:\SWDwgs\WallMount\Cabinet2013\Ensembles\	FILE: Cabinet19x15x22_2186-001_Eng	
PART NO.: WMCRE1-190922	DRAWING NO.: 2186-001	REV.: SCALE: 1:10 DATE: 2018-02-05 SHEET: 1 / 2



SECTION D-D



SECTION C-C

Electron METAL PROUDLY MANUFACTURED IN CANADA.

PROPRIETARY AND CONFIDENTIAL
 THE INFORMATION CONTAINED IN THIS DRAWING IS THE SOLE PROPERTY OF A.I.G. ELECTRON METAL INC. ANY REPRODUCTION IN PART OR AS A WHOLE WITHOUT THE WRITTEN PERMISSION OF A.I.G. ELECTRON METAL INC IS PROHIBITED.

DRAWN BY: E.D.	Title: WALL MOUNT CABINET 9RU (19 x 15.75) x 22				
CHECKED BY: E.D.	PROJECT: G:\SWDwgs\WallMount\Cabinet2013\Ensembles\			FILE: Cabinet19x15x22_2186-001_Eng	
PART NO.: WMCRE1-190922	DRAWING NO.: 2186-001	REV.:	SCALE: 1:12	DATE: 2018-02-05	SHEET: 2 / 2