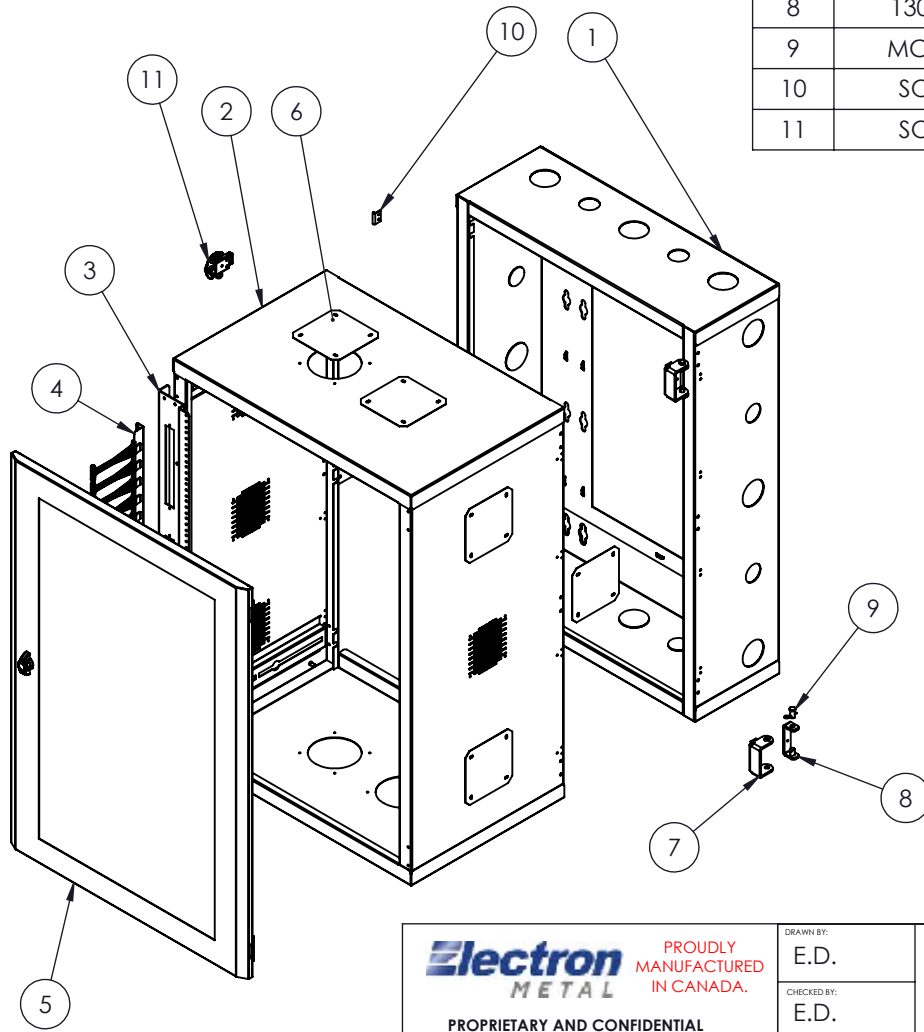


NO.	DWG/SUPPLIER	CFG/SUPPLIER NO.	DESCRIPTION	QTY
1	2658-005	Default	REAR SECTION (25 x 36.75) x 10	1
2	1305033108	Default	FRAME 214U 28 x 39.75 x 18	1
3	2284-006	(36.75")	REINFORCED MOUNTING RAIL TAPPED 4.25" FOR BRUSH	2
4	1832-007	Default	HIGH DENSITY RAIL CABLE MGT (36.75")	2
5	1305033110	Default	PLEXIGLAS DOOR (25 x 36.75)	1
6	1515	Default	4" FAN CUTOUT COVER PLATE	10
7	1305037411	Default	FRONT FEMALE HINGE	2
8	1305037410	Default	REAR MALE HINGE	2
9	MC-MASTER	97245A673	CLEVIS PIN 3/8 x 3/4	2
10	SOUTHCO	K4-2338-07	KEEPER	2
11	SOUTHCO	K4-2833-07	LINK ROTARY LATCH, MEDIUM	2



NOTES:

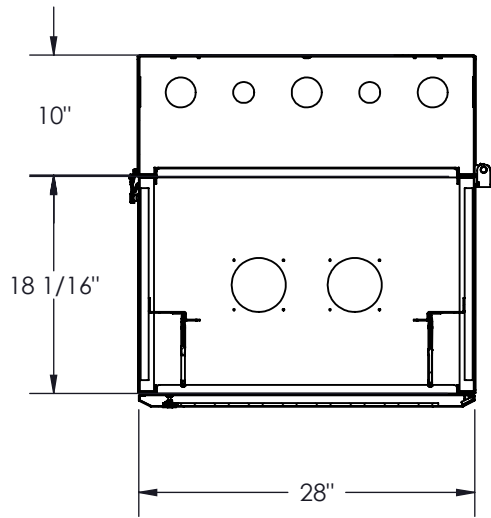
- 1 - CAPACITY: 150 LB
- 2 - WEIGHT: 161 LB
- 3 - FINISH : TEXTURED POWDER COAT.
- 4- MATERIALS:
  - 1 - BODY STEEL CRS GAUGE 16 (0.060")
  - 2 - REAR STEEL CRS GAUGE 16 (0.060")
  - 3 - DOOR STEEL CRS GAUGE 18 (0.048")
- 5 - CONSTRUCT: FULLY WELD BODY AND REAR

APPROVED BY:  
T.M.

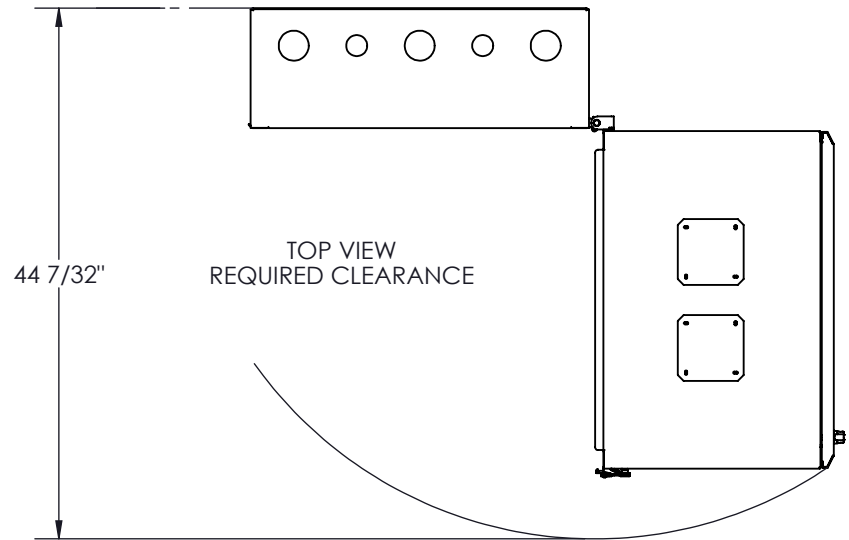


**PROPRIETARY AND CONFIDENTIAL**  
THE INFORMATION CONTAINED IN THIS DRAWING IS THE SOLE PROPERTY OF ELECTRON METAL A.I.G. INC. ANY REPRODUCTION IN PART OR AS A WHOLE WITHOUT THE WRITTEN PERMISSION OF A.I.G. ELECTRON METAL INC IS PROHIBITED.

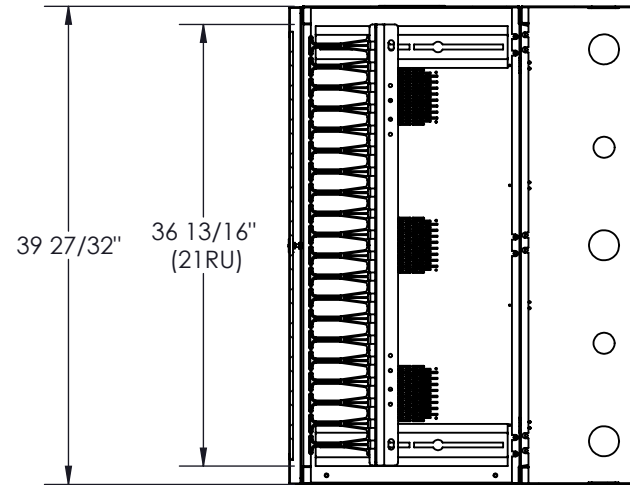
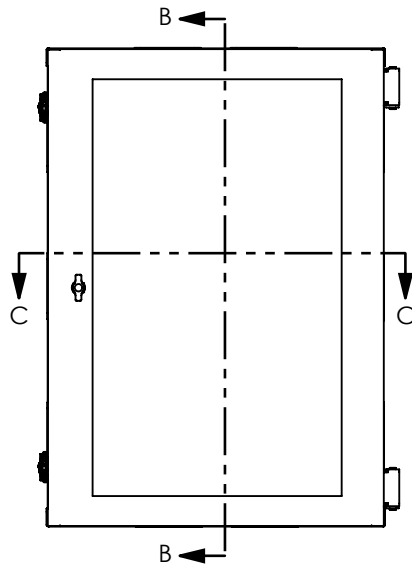
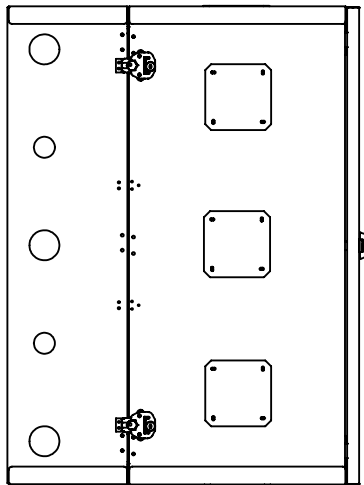
DRAWN BY: E.D.	Title:				
CHECKED BY: E.D.	HIGH DENSITY WALL MNT CABINET 21RU (25 x 36.75) x 28 28 x 39.75 x 28				
PROJECT: G:\SWDwgs\WallMount\Cabinet2013\EnsemblesHauteDensite\	FILE: CabinetHD25x36x28_3058-002_Eng				
PART NO: WMCRCH-252128	DRAWING NO: 3058-002	REV.: A	SCALE: 1:16	DATE: 2021-01-06	SHEET: 1 / 2



SECTION C-C



TOP VIEW  
REQUIRED CLEARANCE



SECTION B-B

**Electron METAL** PROUDLY MANUFACTURED IN CANADA.

**PROPRIETARY AND CONFIDENTIAL**  
THE INFORMATION CONTAINED IN THIS DRAWING IS THE SOLE PROPERTY OF ELECTRON METAL A.I.G. INC. ANY REPRODUCTION IN PART OR AS A WHOLE WITHOUT THE WRITTEN PERMISSION OF A.I.G. ELECTRON METAL INC IS PROHIBITED.

DRAWN BY:  
E.D.  
CHECKED BY:  
E.D.

Title:  
**HIGH DENSITY WALL MNT CABINET 21RU (25 x 36.75) x 28**  
**28 x 39.75 x 28**

PROJECT:  
G:\SWDwgs\WallMount\Cabinet2013\EnsemblesHauteDensite\

FILE:  
CabinetHD25x36x28\_3058-002\_Eng

APPROVED BY:  
T.M.

PART NO.:  
WMCRCH-252128

DRAWING NO.:  
3058-002

REV.:  
A

SCALE:  
1:16

DATE:  
2021-01-06

SHEET:  
2 / 2