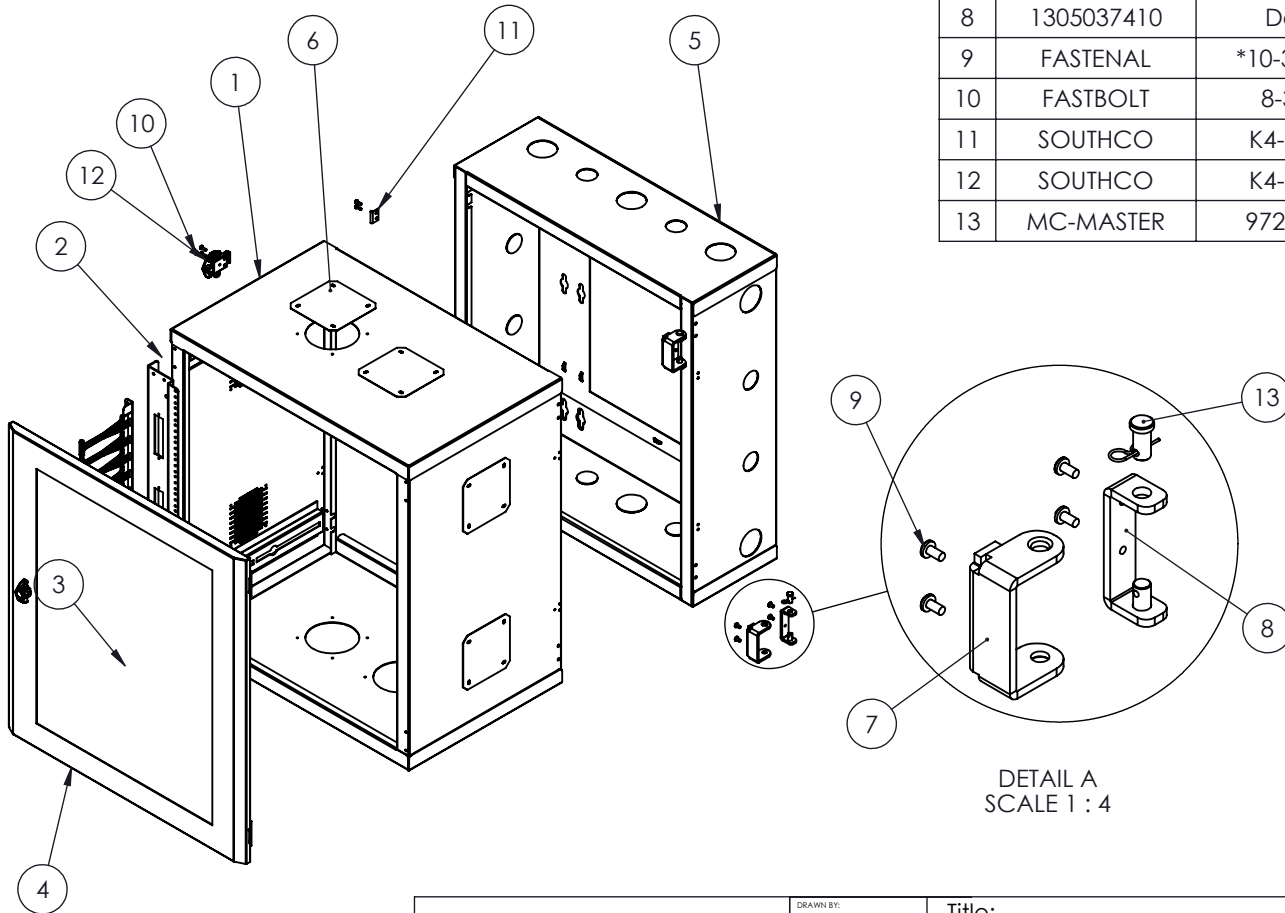


NO.	DWG/SUPPLIER	CFG/SUPPLIER NO.	DESCRIPTION	QTY
1	1305033093	Default	FRAME 28 x 31 x 18	1
2	2284-006	(28")	REINFORCED MOUNTING RAIL TAPPED 4.25" FOR BRUSH	2
3	1832-008	Default	HIGH DENSITY RAIL CABLE MGT (28")	2
4	1305033096	Default	PLEXI. DOOR (25 X 28)	1
5	2658-009	Default	REAR SECTION (25 x 28) x 10	1
6	1515	Default	4" FAN CUTOUT COVER PLATE	8
7	1305037411	Default	FRONT FEMALE HINGE	2
8	1305037410	Default	REAR MALE HINGE	2
9	FASTENAL	*10-32 x .375	PAN HEAD SCREW 10-32 x 3/8 COMBO	8
10	FASTBOLT	8-32 x .5	THREAD ROLLING PAN HEAD - PHILLIPS	10
11	SOUTHCO	K4-2338-07	KEEPER	2
12	SOUTHCO	K4-2833-07	LINK ROTARY LATCH, MEDIUM	2
13	MC-MASTER	97245A673	CLEVIS PIN 3/8 x 3/4	2



NOTES:

- 1 - CAPACITY: 150 LB
- 2 - WEIGHT: 140 LB
- 3 - FINISH : TEXTURED POWDER COAT.
- 4 - MATERIAL:
 - 1 - BODY STEEL CRS GAUGE 16 (0.060")
 - 2 - REAR STEEL CRS GAUGE 16 (0.060")
 - 3 - DOOR STEEL CRS GAUGE 18 (0.048")
- 5 - CONSTRUCT: FULLY WELDED BODY & REAR



PROPRIETARY AND CONFIDENTIAL
 THE INFORMATION CONTAINED IN THIS DRAWING IS THE SOLE PROPERTY OF ELECTRON METAL A.I.G. INC. ANY REPRODUCTION IN PART OR AS A WHOLE WITHOUT THE WRITTEN PERMISSION OF A.I.G. ELECTRON METAL INC IS PROHIBITED.

APPROVED BY:
 E.D.

DRAWN BY:
 R.B.
 CHECKED BY:
 R.B.

Title:
HIGH DENSITY WALL MNT CABINET 16RU (25 x 28) x 28
28 x 31 x 28

PROJECT:
 G:\SWDwgs\WallMount\Cabinet2013\EnsemblesHauteDensite\

FILE:
 CabinetHD25x28x28_3058-003_Eng

PART NO.:
 WMCRCH-251628

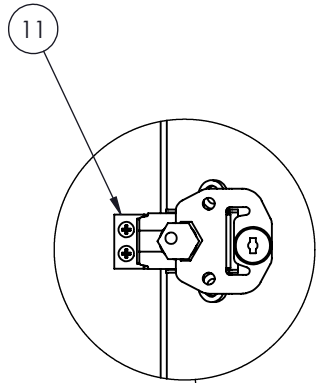
DRAWING NO.:
 3058-003

REV.:
 A

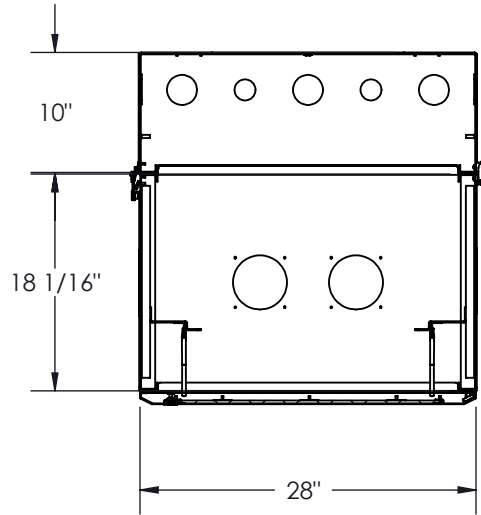
SCALE:
 1:16

DATE:
 2021-05-12

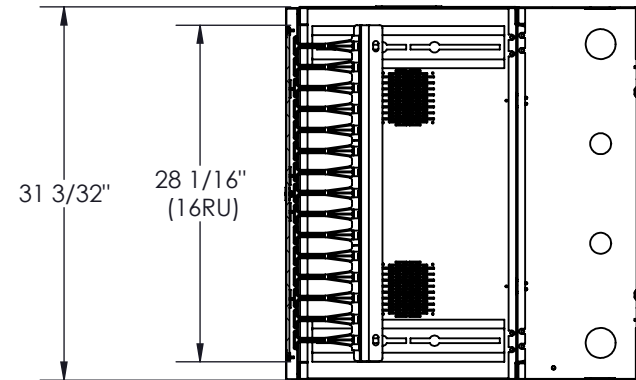
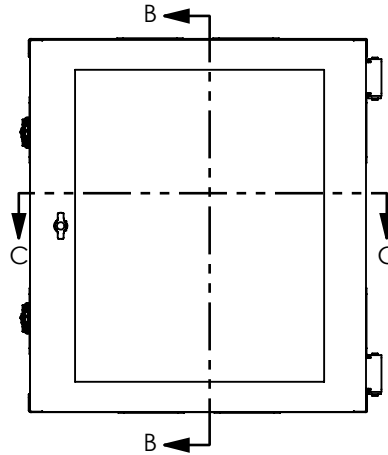
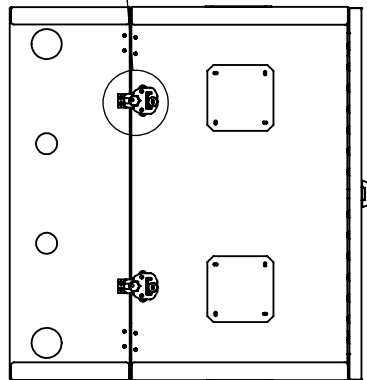
SHEET:
 1 / 2



DETAIL E
SCALE 1 : 4



SECTION C-C



SECTION B-B

Electron METAL PROUDLY MANUFACTURED IN CANADA.

PROPRIETARY AND CONFIDENTIAL
THE INFORMATION CONTAINED IN THIS DRAWING IS THE SOLE PROPERTY OF ELECTRON METAL A.I.G. INC. ANY REPRODUCTION IN PART OR AS A WHOLE WITHOUT THE WRITTEN PERMISSION OF A.I.G. ELECTRON METAL INC IS PROHIBITED.

DRAWN BY:
R.B.
CHECKED BY:
R.B.

Title:
HIGH DENSITY WALL MNT CABINET 16RU (25 x 28) x 28
28 x 31 x 28

PROJECT:
G:\SWDwgs\WallMount\Cabinet2013\EnsemblesHauteDensite\

FILE:
CabinetHD25x28x28_3058-003_Eng

APPROVED BY:
E.D.

PART NO.:
WMCRCH-251628

DRAWING NO.:
3058-003

REV.:
A

SCALE:
1:16

DATE:
2021-05-12

SHEET:
2 / 2