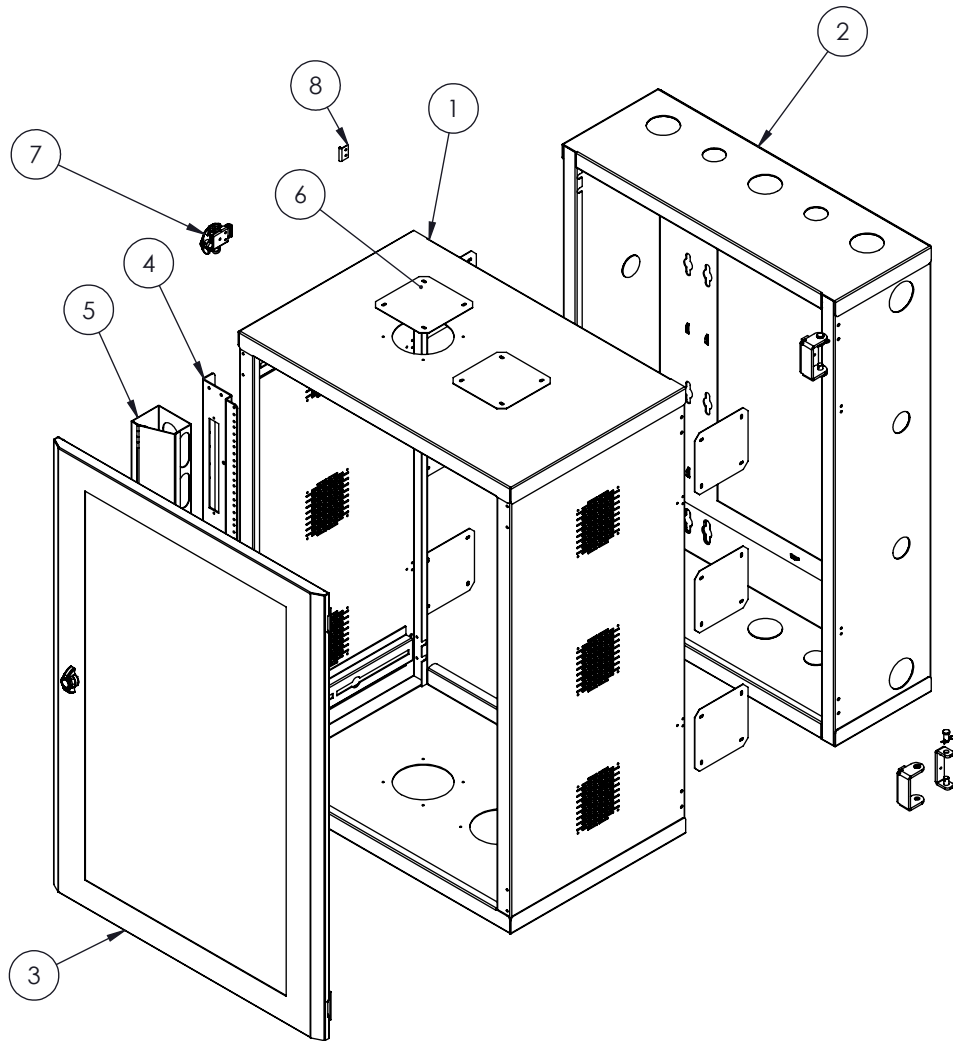


COLOUR	PT# SUFFIX
BLACK	-BK
WHITE	-WH
GREY	-GY



NO.	DESCRIPTION	QTY
1	FRAME 214U 28 x 39.75 x 18	1
2	REAR SECTION (25 x 36.75) x 10	1
3	PLEXIGLAS DOOR (25 x 36.75)	1
4	REINFORCED MOUNTING RAIL TAPPED 4.25" FOR BRUSH	2
5	VERTICAL CABLE MGT 3.5 x 3 x 36	2
6	4" FAN CUTOUT COVER PLATE	10
7	LINK ROTARY LATCH, MEDIUM	2
8	KEEPER	2
9	REAR MALE HINGE	2
10	FEMALE FRONT HINGE	2
11	CLEVIS PIN 3/8 x 3/4	2

NOTES:

1 - CAPACITY: 150 LB

2 - WEIGHT: 170 LB

3 - CABINET IS FULLY REVERSIBLE LH OR RH SWING.

4 - (4) FAN CUT-OUT COVER PLATES INSTALLED ON TOP / BOTTOM, (6) SHIP LOOSE.

5 - ALSO INCLUDES 24 TRUSS HEAD SCREWS 10-32 x 5/8 BLACK

6 - FINISH: TEXTURED POWDER COAT

Electron PROUDLY
METAL MANUFACTURED
IN CANADA.

PROPRIETARY AND CONFIDENTIAL
THE INFORMATION CONTAINED IN THIS
DRAWING IS THE SOLE PROPERTY OF
ELECTRON METAL A.I.G. INC. ANY
REPRODUCTION IN PART OR AS A WHOLE
WITHOUT THE WRITTEN PERMISSION OF
A.I.G. ELECTRON METAL INC IS PROHIBITED.

APPROVED BY:
E.D.

DRAWN BY:
R.B

CHECKED BY:
R.B

FILE:
Cabinet25x36.75x28_3202-001_Eng

PART NO.:
WMCRC1-252128

Title:
WALL MOUNT CABINET (25 x 36.75) x 28
28 x 31 x 28

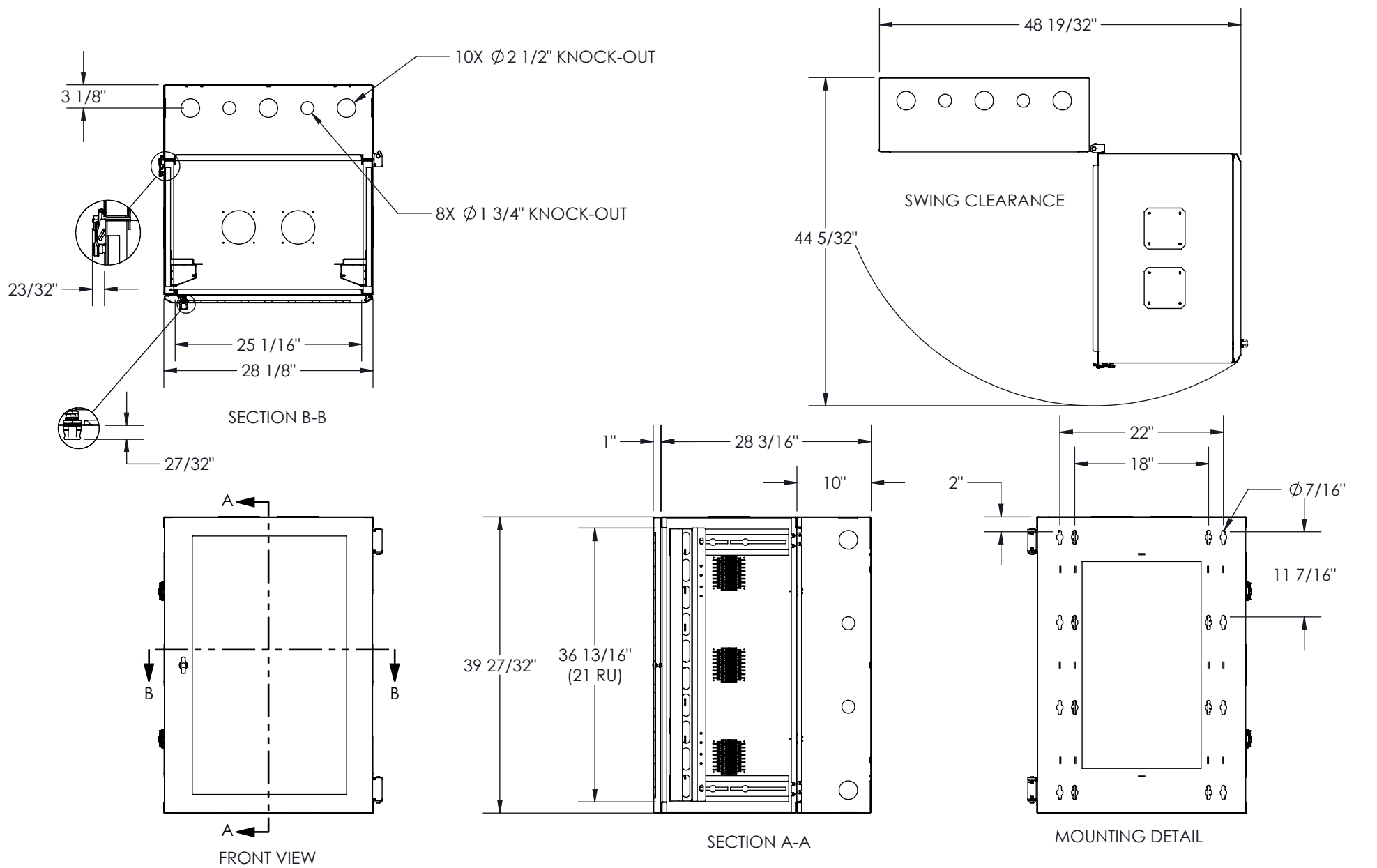
DRAWING NO.:
3202-001

REV.:
A

SCALE:
1:14

DATE:
2021-05-26

SHEET:
1 / 2



Electron METAL PROUDLY MANUFACTURED IN CANADA.

PROPRIETARY AND CONFIDENTIAL
 THE INFORMATION CONTAINED IN THIS DRAWING IS THE SOLE PROPERTY OF ELECTRON METAL A.I.G. INC. ANY REPRODUCTION IN PART OR AS A WHOLE WITHOUT THE WRITTEN PERMISSION OF A.I.G. ELECTRON METAL INC IS PROHIBITED.

APPROVED BY:
 E.D.

DRAWN BY:
 R.B.
 CHECKED BY:
 R.B.

Title:
WALL MOUNT CABINET (25 x 36.75) x 28
 28 x 31 x 28

FILE:
 Cabinet25x36.75x28_3202-001_Eng

PART NO.:
 WMCR1-252128

DRAWING NO.:
 3202-001

REV.:
 A

SCALE:
 1:18

DATE:
 2021-05-26

SHEET:
 2 / 2