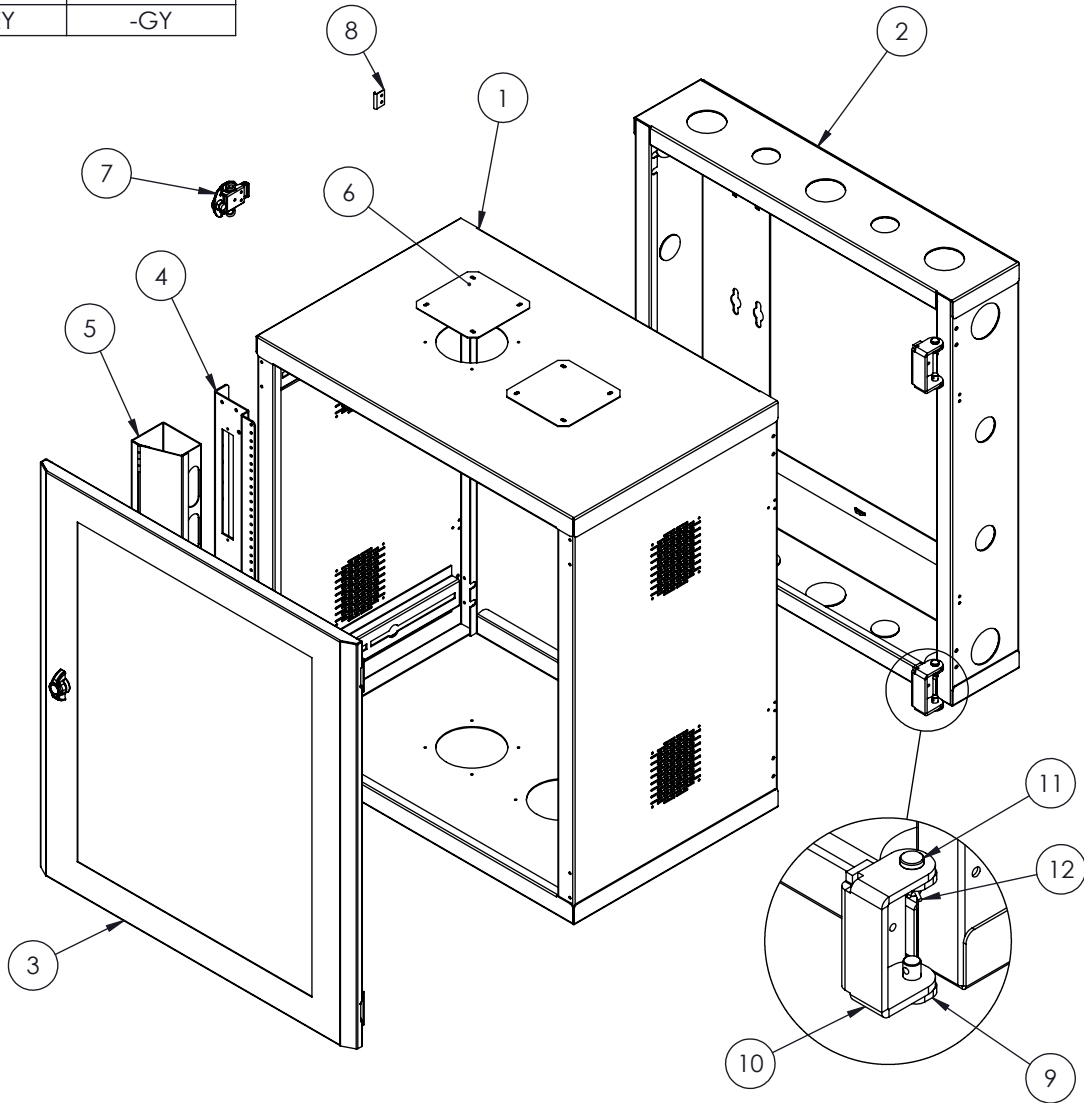


COLOUR	PT# SUFFIX
BLACK	-BK
WHITE	-WH
GREY	-GY



NO.	DESCRIPTION	QTY
1	FRAME 28 x 31 x 18	1
2	REAR SECTION (25 x 28) x 6	1
3	PLEXI. DOOR (25 X 28)	1
4	REINFORCED MOUNTING RAIL TAPPED 4.25" FOR BRUSH	2
5	VERTICAL CABLE MGT 3.5 x 3 x 28	2
6	4" FAN CUTOUT COVER PLATE	8
7	LINK ROTARY LATCH, MEDIUM	2
8	KEEPER	2
9	REAR MALE HINGE	2
10	FEMALE FRONT HINGE	2
11	CLEVIS PIN 3/8 x 3/4	2
12	HAIRPIN COTTER PIN 1 1/4"	2

NOTES:

- 1 - CAPACITY: 150 LB
- 2 - WEIGHT: 135 LB
- 3 - CABINET IS FULLY REVERSIBLE LH OR RH SWING.
- 4 - INSTALL (4) FAN CUT-OUT COVER PLATES TOP / BOTTOM, SHIP (4) LOOSE.
- 5 - FINISH: TEXTURED POWDER COAT.
- 6 - INCLUDES 24 TRUSS HEAD SCREWS 10-32 x 5/8 BLACK



**PROPRIETARY AND CONFIDENTIAL**  
 THE INFORMATION CONTAINED IN THIS DRAWING IS THE SOLE PROPERTY OF ELECTRON METAL A.I.G. INC. ANY REPRODUCTION IN PART OR AS A WHOLE WITHOUT THE WRITTEN PERMISSION OF A.I.G. ELECTRON METAL INC IS PROHIBITED.

APPROVED BY:  
E.D.

DRAWN BY:  
S.B.  
CHECKED BY:  
S.B.

Title:  
WALL MOUNT CABINET (25 x 28) x 24 REVERSED  
28 x 31 x 24

FILE:  
Cabinet25x28x24\_1305033095\_Eng

PART NO.:  
WMCR1-251624

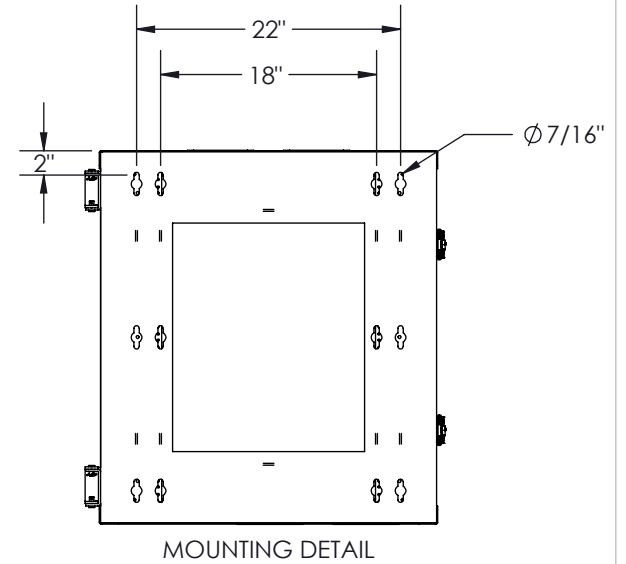
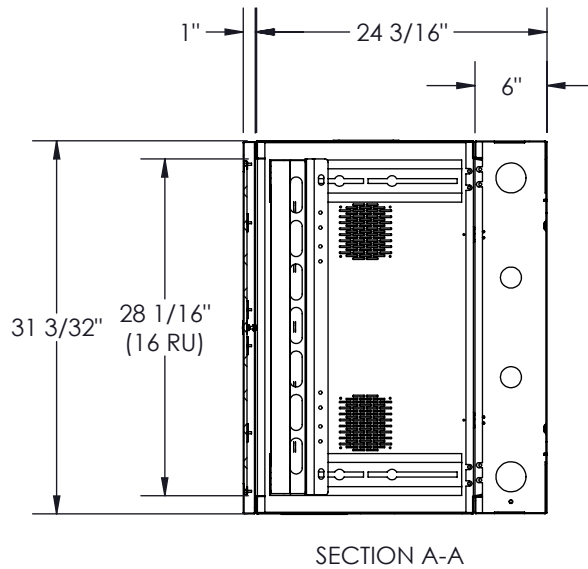
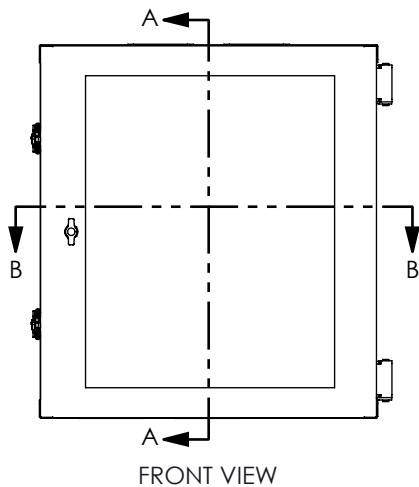
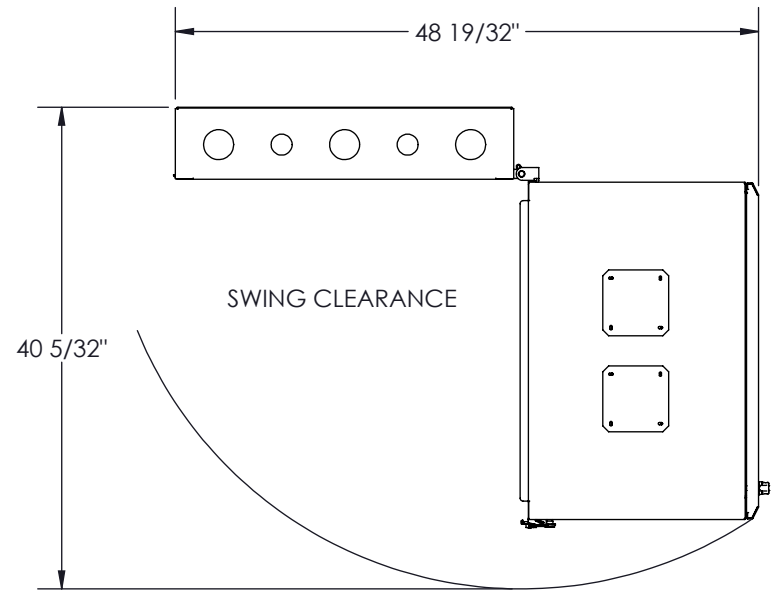
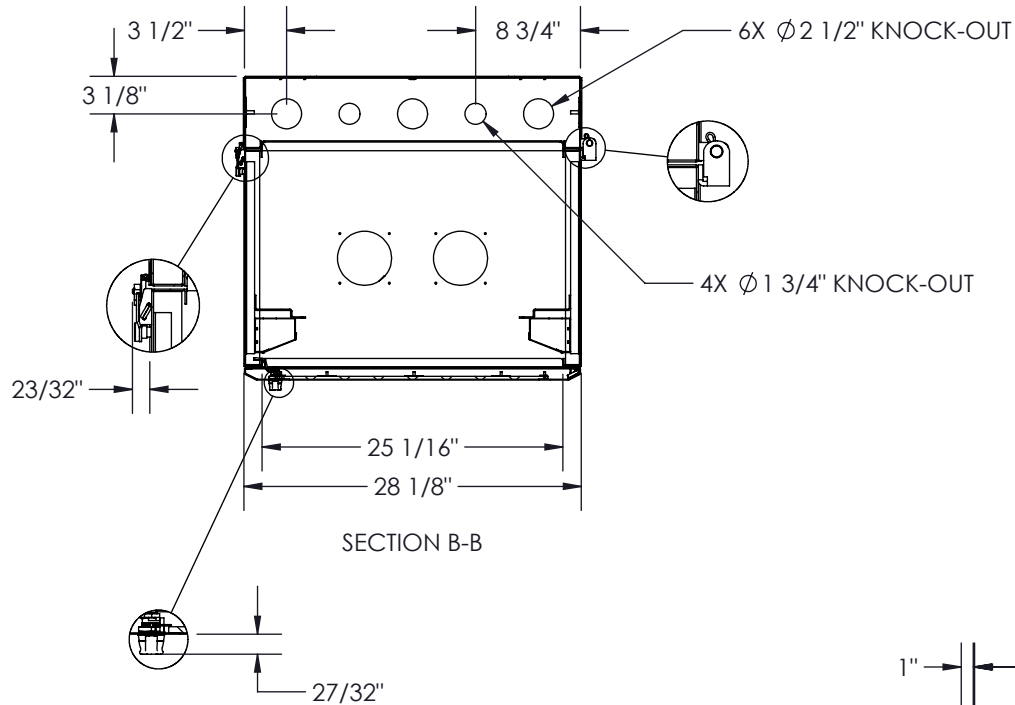
DRAWING NO.:  
1305033095

REV.:  
D

SCALE:  
1:12

DATE:  
2013-08-02

SHEET:  
1 / 2



**Electron** PROUDLY MANUFACTURED IN CANADA.  
**METAL**

**PROPRIETARY AND CONFIDENTIAL**  
 THE INFORMATION CONTAINED IN THIS DRAWING IS THE SOLE PROPERTY OF ELECTRON METAL A.I.G. INC. ANY REPRODUCTION IN PART OR AS A WHOLE WITHOUT THE WRITTEN PERMISSION OF A.I.G. ELECTRON METAL INC IS PROHIBITED.

APPROVED BY:  
 E.D.

DRAWN BY:  
 S.B.  
 CHECKED BY:  
 S.B.

Title:  
**WALL MOUNT CABINET (25 x 28) x 24 REVERSED**  
**28 x 31 x 24**

FILE:  
 Cabinet25x28x24\_1305033095\_Eng

PART NO.:  
 WMCR1-251624

DRAWING NO.:  
 1305033095

REV.:  
 D

SCALE:  
 1:16

DATE:  
 2013-08-02

SHEET:  
 2 / 2