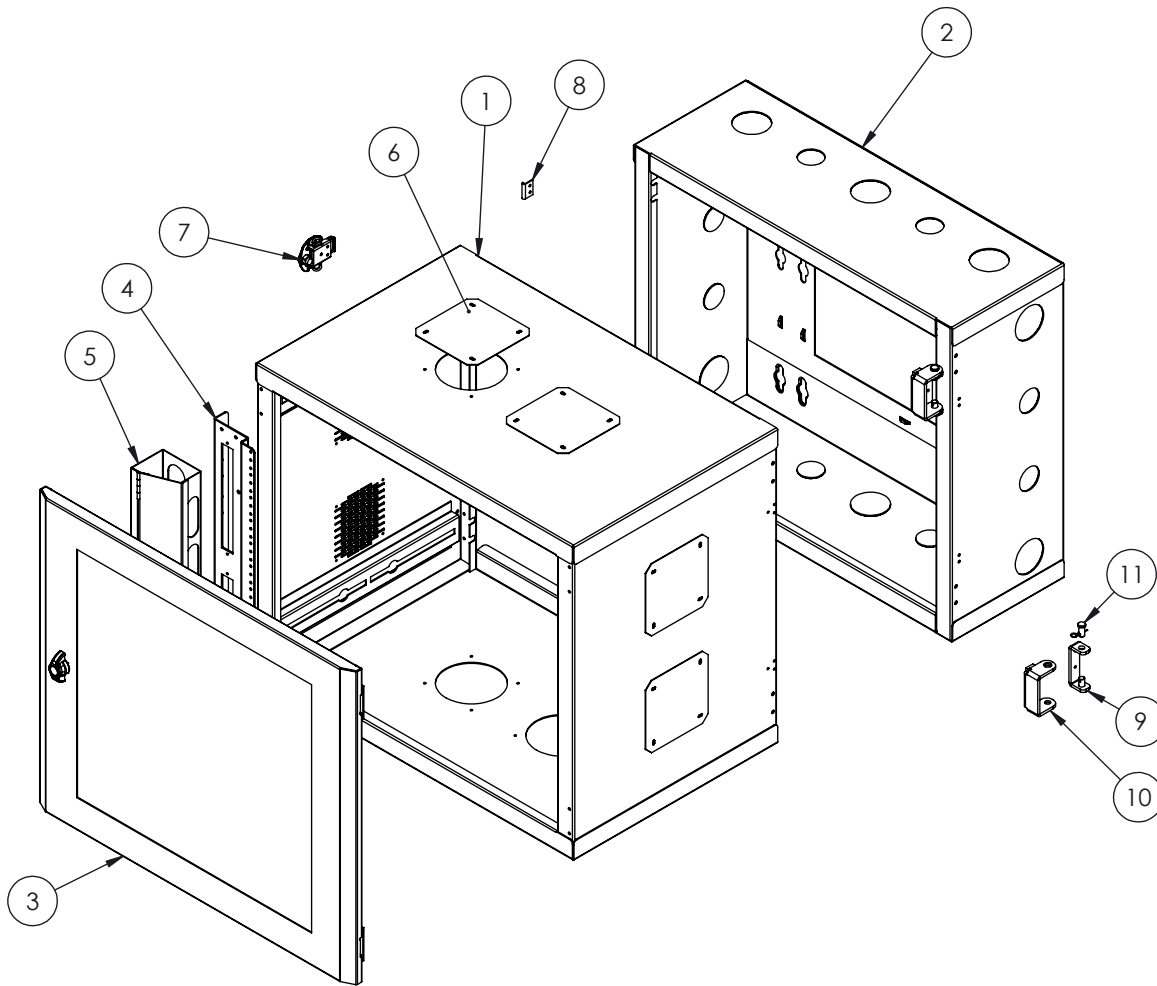


COLOUR	PT# SUFFIX
BLACK	-BK
WHITE	-WH
GREY	-GY



NO.	DESCRIPTION	QTY
1	FRAME 28 x 24 x 18	1
2	REAR SECTION 12RU (25 x 21) x 10	1
3	PLEXI. DOOR (25 X 21)	1
4	REINFORCED MOUNTING RAIL TAPPED 4.25" FOR BRUSH	2
5	VERTICAL CABLE MGT 3.5 x 3 x 21	2
6	4" FAN CUTOUT COVER PLATE	8
7	LINK ROTARY LATCH, MEDIUM	2
8	KEEPER	2
9	REAR MALE HINGE	2
10	FEMALE FRONT HINGE	2
11	CLEVIS PIN 3/8 x 3/4	2

NOTES:

- 1 - CAPACITY: 150 LB
- 2 - WEIGHT: 127 LB
- 3 - CABINET IS FULLY REVERSIBLE LH OR RH SWING.
- 4 - (4) FAN CUTOUT COVER PLATES INSTALLED TOP / BOTTOM, (4) SHIPPED LOOSE.
- 5 - FINISH: TEXTURED POWDER COAT.
- 6 - INCLUDES 24 TRUSS HEAD SCREWS 10-32 x 5/8 BLACK

Electron METAL PROUDLY MANUFACTURED IN CANADA.

PROPRIETARY AND CONFIDENTIAL
THE INFORMATION CONTAINED IN THIS DRAWING IS THE SOLE PROPERTY OF ELECTRON METAL A.I.G. INC. ANY REPRODUCTION IN PART OR AS A WHOLE WITHOUT THE WRITTEN PERMISSION OF A.I.G. ELECTRON METAL INC IS PROHIBITED.

APPROVED BY:
T.M.

DRAWN BY:
E.D.
CHECKED BY:
E.D.

Title:
WALL MOUNT CABINET 12RU (25 x 21) x 28 REVERSED
28 x 24 x 28

FILE:
Cabinet25x21x28_2186-002_Eng

PART NO:
WMCR1-251228

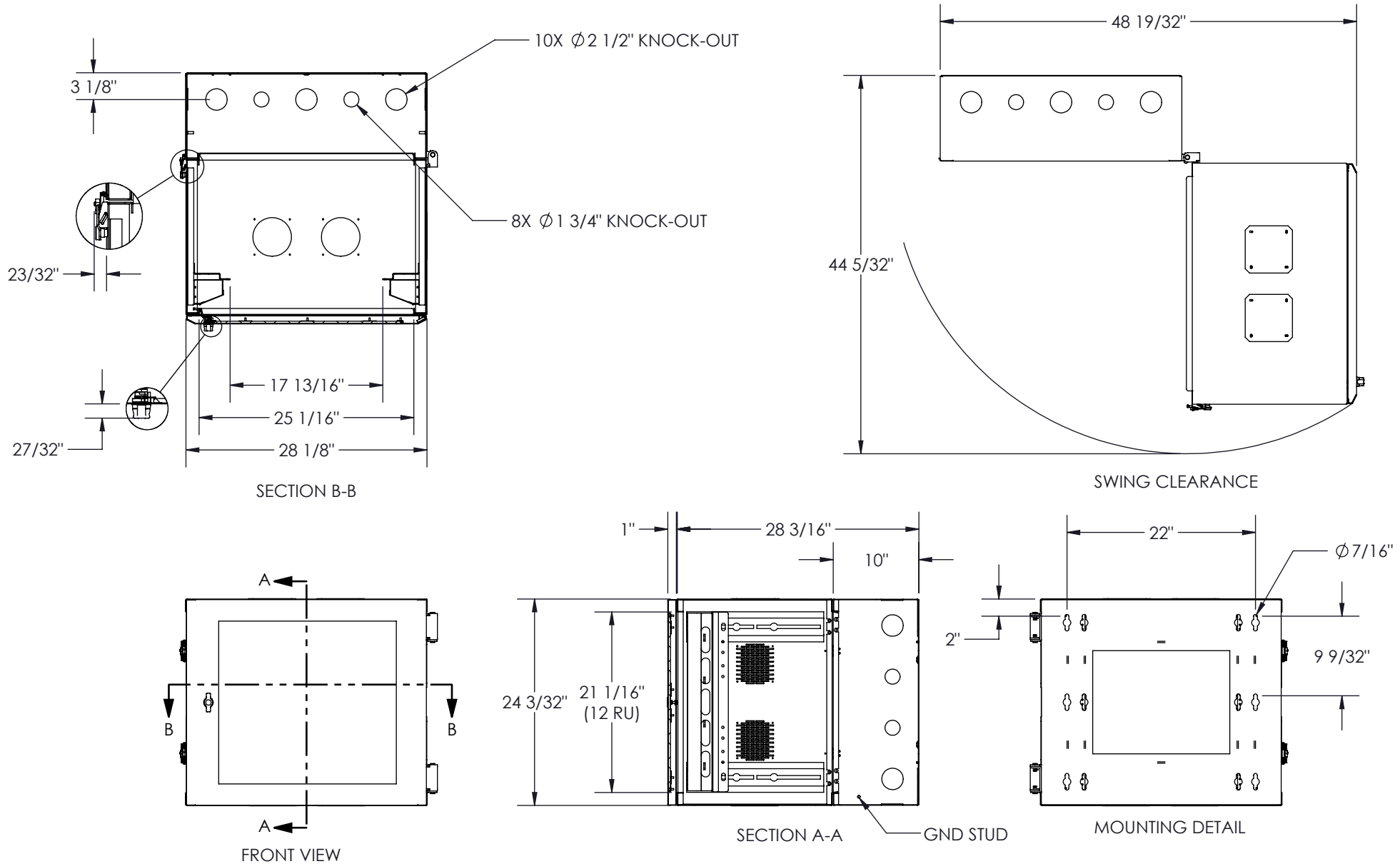
DRAWING NO:
2186-002

REV.:
B

SCALE:
1:12

DATE:
2020-07-31

SHEET:
1 / 2



Electron METAL PROUDLY MANUFACTURED IN CANADA.

PROPRIETARY AND CONFIDENTIAL
 THE INFORMATION CONTAINED IN THIS DRAWING IS THE SOLE PROPERTY OF ELECTRON METAL A.I.G. INC. ANY REPRODUCTION IN PART OR AS A WHOLE WITHOUT THE WRITTEN PERMISSION OF A.I.G. ELECTRON METAL INC IS PROHIBITED.

APPROVED BY:
T.M.

DRAWN BY:
E.D.
CHECKED BY:
E.D.

Title:
WALL MOUNT CABINET 12RU (25 x 21) x 28 REVERSED
28 x 24 x 28

FILE:
Cabinet25x21x28_2186-002_Eng

PART NO.:
WMCR1-251228

DRAWING NO.:
2186-002

REV.:
B

SCALE:
1:16

DATE:
2020-07-31

SHEET:
2 / 2