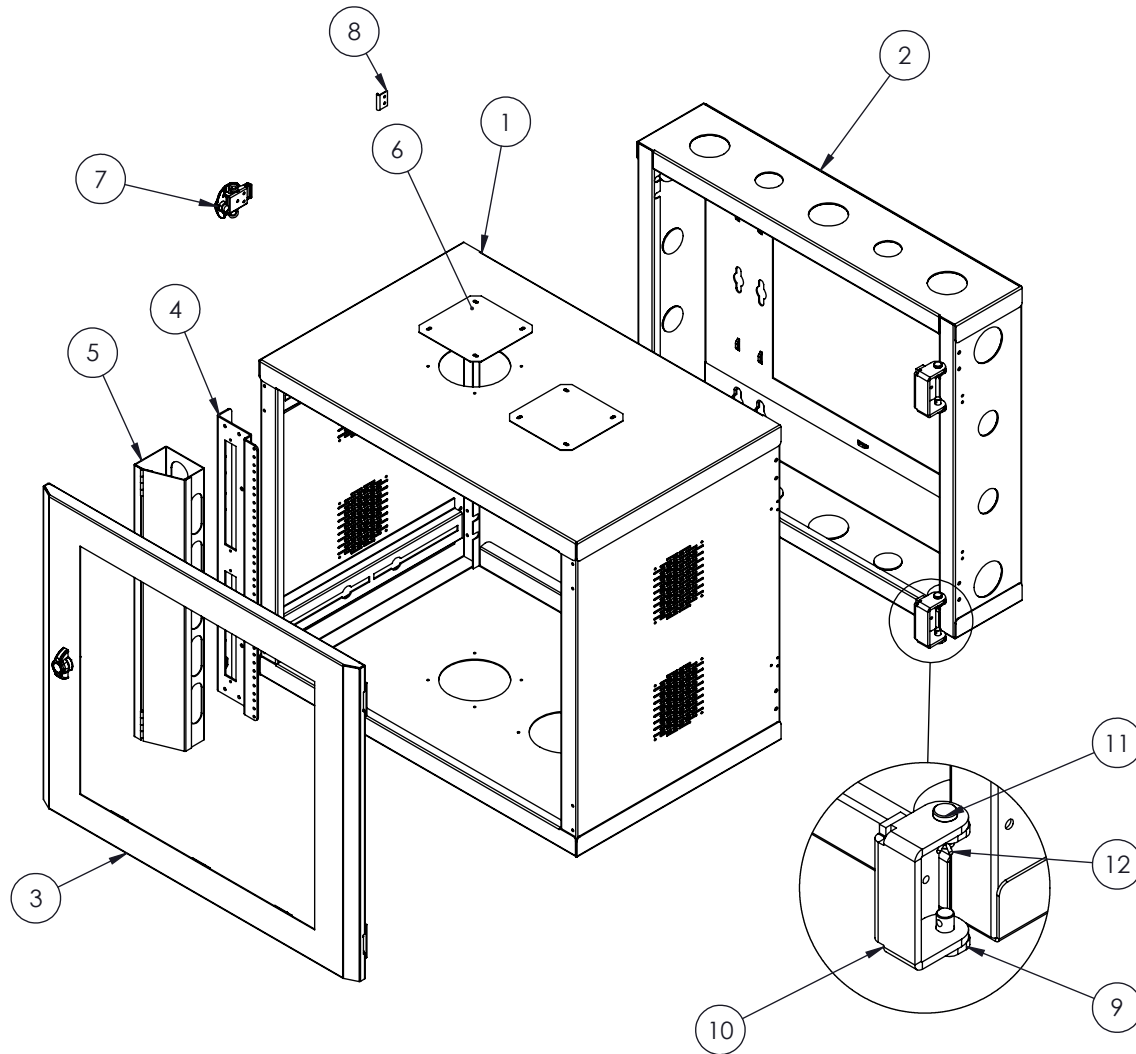


COLOUR	PT# SUFFIX
BLACK	-BK
WHITE	-WH
GREY	-GY

NO.	DESCRIPTION	QTY
1	FRAME 28 x 24 x 18	1
2	REAR SECTION (25 x 21) x 6	1
3	PLEXI. DOOR (25 X 21)	1
4	REINFORCED MOUNTING RAIL TAPPED 4.25" FOR BRUSH	2
5	VERTICAL CABLE MGT 3.5 x 3 x 21	2
6	4" FAN CUTOUT COVER PLATE	8
7	LINK ROTARY LATCH, MEDIUM	2
8	KEEPER	2
9	REAR MALE HINGE	2
10	FEMALE FRONT HINGE	2
11	CLEVIS PIN 3/8 x 3/4	2
12	HAIRPIN COTTER PIN 1 1/4"	2



NOTES:

- 1 - CAPACITY: 150 LB
- 2 - WEIGHT: 116 LB
- 3 - CABINET IS FULLY REVERSIBLE LH OR RH SWING.
- 4 - (4) FAN CUTOUT COVER PLATES INSTALLED TOP / BOTTOM, (4) SHIPPED LOOSE.
- 5 - FINISH: TEXTURED POWDER COAT.
- 6 - INCLUDES 24 TRUSS HEAD SCREWS 10-32 x 5/8 BLACK

Electron METAL PROUDLY MANUFACTURED IN CANADA.

PROPRIETARY AND CONFIDENTIAL
 THE INFORMATION CONTAINED IN THIS DRAWING IS THE SOLE PROPERTY OF ELECTRON METAL A.I.G. INC. ANY REPRODUCTION IN PART OR AS A WHOLE WITHOUT THE WRITTEN PERMISSION OF A.I.G. ELECTRON METAL INC IS PROHIBITED.

APPROVED BY:
E.D.

DRAWN BY:
S.B.
CHECKED BY:
S.B.

Title:
WALL MOUNT CABINET 12RU (25 x 21) x 24
28 x 24 x 24

FILE:
Cabinet25x21x24_1305033084_Eng

PART NO.:
WMCR1-251224

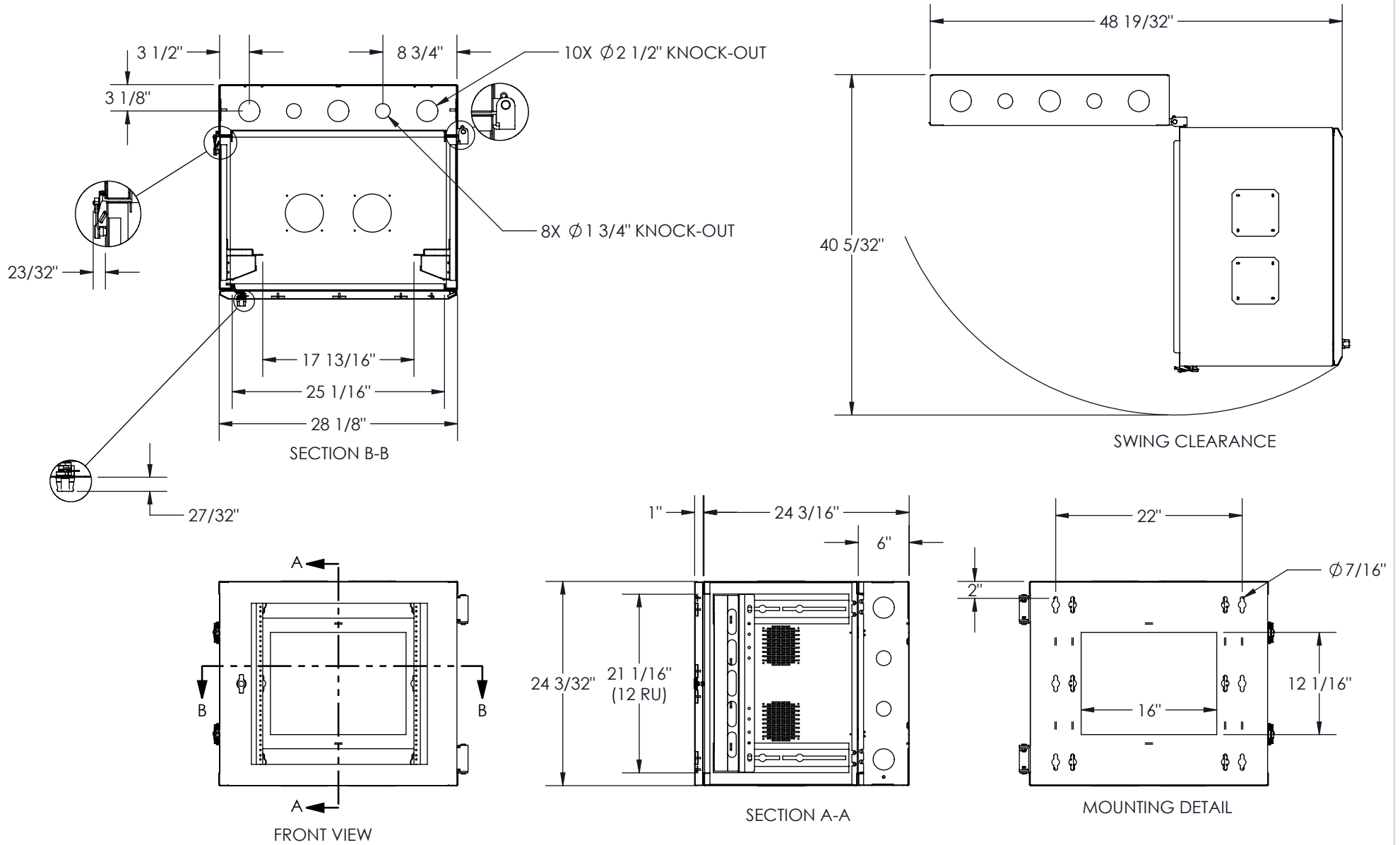
DRAWING NO.:
1305033084

REV.:
D

SCALE:
1:12

DATE:
2013-07-31

SHEET:
1 / 2



Electron METAL PROUDLY MANUFACTURED IN CANADA.

PROPRIETARY AND CONFIDENTIAL
 THE INFORMATION CONTAINED IN THIS DRAWING IS THE SOLE PROPERTY OF ELECTRON METAL A.I.G. INC. ANY REPRODUCTION IN PART OR AS A WHOLE WITHOUT THE WRITTEN PERMISSION OF A.I.G. ELECTRON METAL INC IS PROHIBITED.

APPROVED BY:
 E.D.

DRAWN BY:
 S.B.
 CHECKED BY:
 S.B.

Title:
 WALL MOUNT CABINET 12RU (25 x 21) x 24
 28 x 24 x 24

FILE:
 Cabinet25x21x24_1305033084_Eng

PART NO.:
 WMCR1-251224

DRAWING NO.:
 1305033084

REV.:
 D

SCALE:
 1:16

DATE:
 2013-07-31

SHEET:
 2 / 2