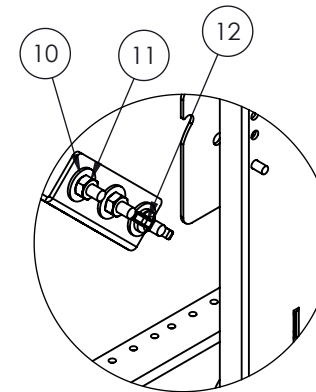


NO.	NOTE	DESCRIPTION	QTY
1	2505-002	REAR SECTION (26 x 7) x 36	1
2	1305023124 - (19) x 36	DOOR 4" DEEP	1
3	1305023127 - (3.5")	PIVOTING RAIL, 2RU	2
4	1515	4" FAN CUTOUT COVER PLATE	2
5	SOUTHCO K4-2833-07	LINK ROTARY LATCH, MEDIUM	1
6	SOUTHCO K4-2338-07	KEEPER	1
7	SOUTHCO 96-10-520-50	OFFSET HINGE, LARGE, LH (B)	1
8	SOUTHCO 96-10-510-50	OFFSET HINGE, LARGE, RH (A)	1
9	10-32 x 3/8	SCREW PAN HEAD - PHILLIPS	8
10	1/4"	FLAT WASHER	6
11	1/4-20	NYLON HEX NUT	4
12	1/4-20	WING NUT	2



DETAIL C
SCALE 1 : 4

Electron METAL PROUDLY MANUFACTURED IN CANADA.

PROPRIETARY AND CONFIDENTIAL
THE INFORMATION CONTAINED IN THIS DRAWING IS THE SOLE PROPERTY OF A.I.G. ELECTRON METAL INC. ANY REPRODUCTION IN PART OR AS A WHOLE WITHOUT THE WRITTEN PERMISSION OF A.I.G. ELECTRON METAL INC IS PROHIBITED.

APPROVED BY:
T.M.

DRAWN BY:
E.D.

CHECKED BY:
E.D.

PROJECT:
G:\SWDwgs\WallMount\LowProfile\

PART NO:
WMCLOP-190436

Title:

LOW PROFILE WALL MOUNT 4RU (19 x 7) x 36

FILE:
LowProfile26x36x10_1305023120_Eng

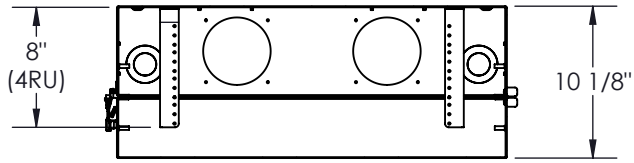
DRAWING NO.:
1305023120

REV.:
F

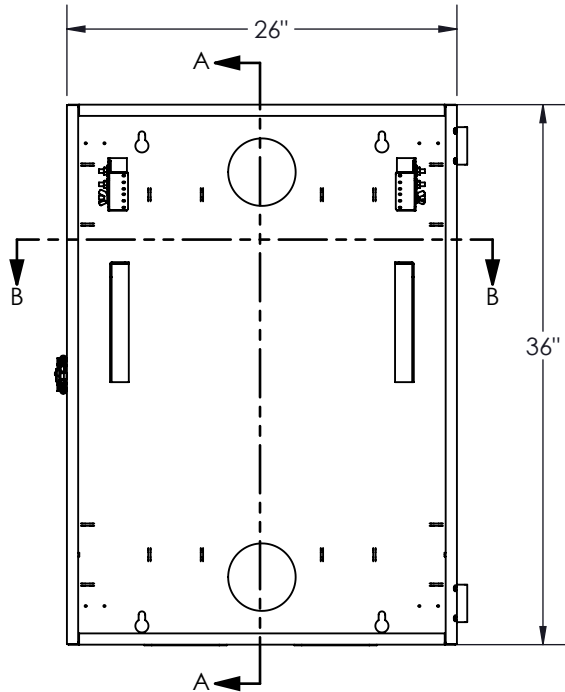
SCALE:
1:12.8

DATE:
2006/03/31

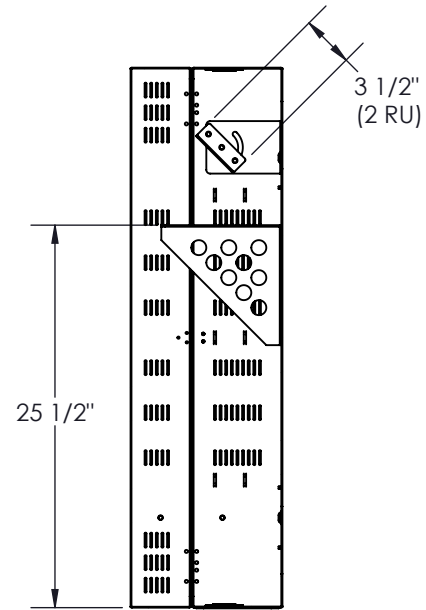
SHEET:
1 / 2



SECTION B-B



FRONT VIEW
DOOR NOT SHOWN



SECTION A-A

Electron METAL PROUDLY MANUFACTURED IN CANADA.

PROPRIETARY AND CONFIDENTIAL
THE INFORMATION CONTAINED IN THIS DRAWING IS THE SOLE PROPERTY OF A.I.G. ELECTRON METAL INC. ANY REPRODUCTION IN PART OR AS A WHOLE WITHOUT THE WRITTEN PERMISSION OF A.I.G. ELECTRON METAL INC IS PROHIBITED.

DRAWN BY:
E.D.

CHECKED BY:
E.D.

PROJECT:
G:\SWDwgs\WallMount\LowProfile\

PART NO.:
WMCLOP-190436

Title:

LOW PROFILE WALL MOUNT 4RU (19 x 7) x 36

FILE:
LowProfile26x36x10_1305023120_Eng

DRAWING NO.:
1305023120

REV.:
F

SCALE:
1:12.8

DATE:
2006/03/31

SHEET:
2 / 2

APPROVED BY:
T.M.