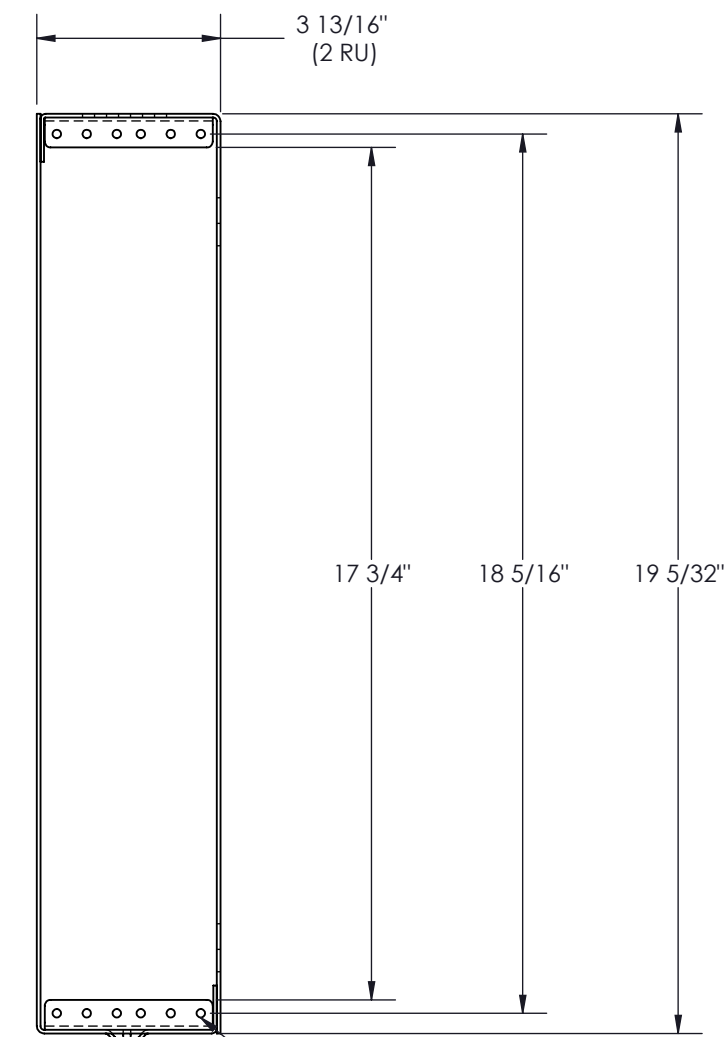
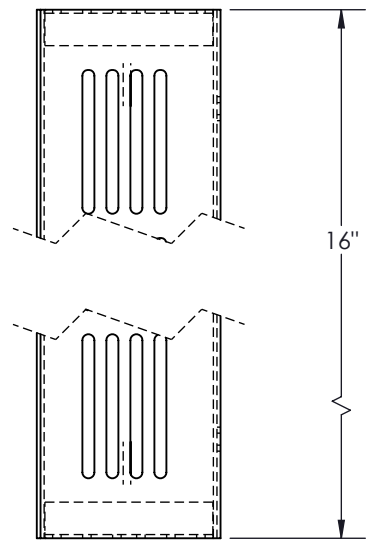
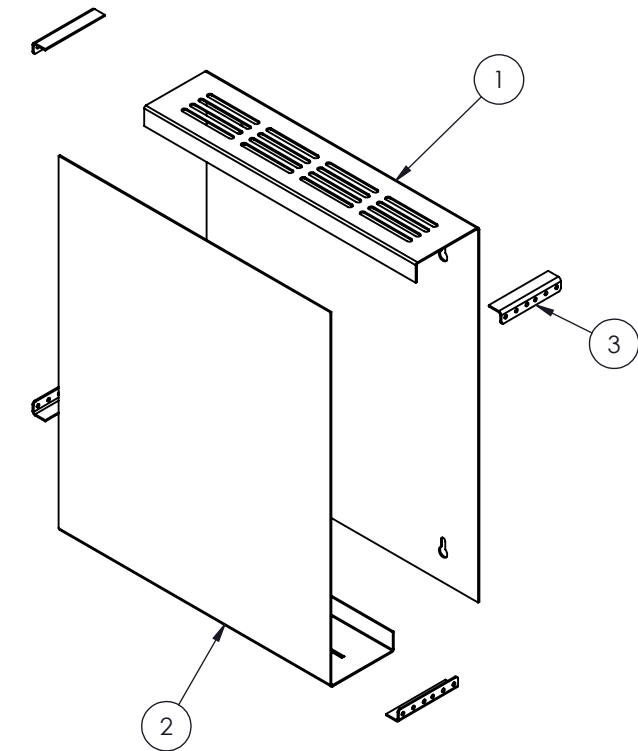
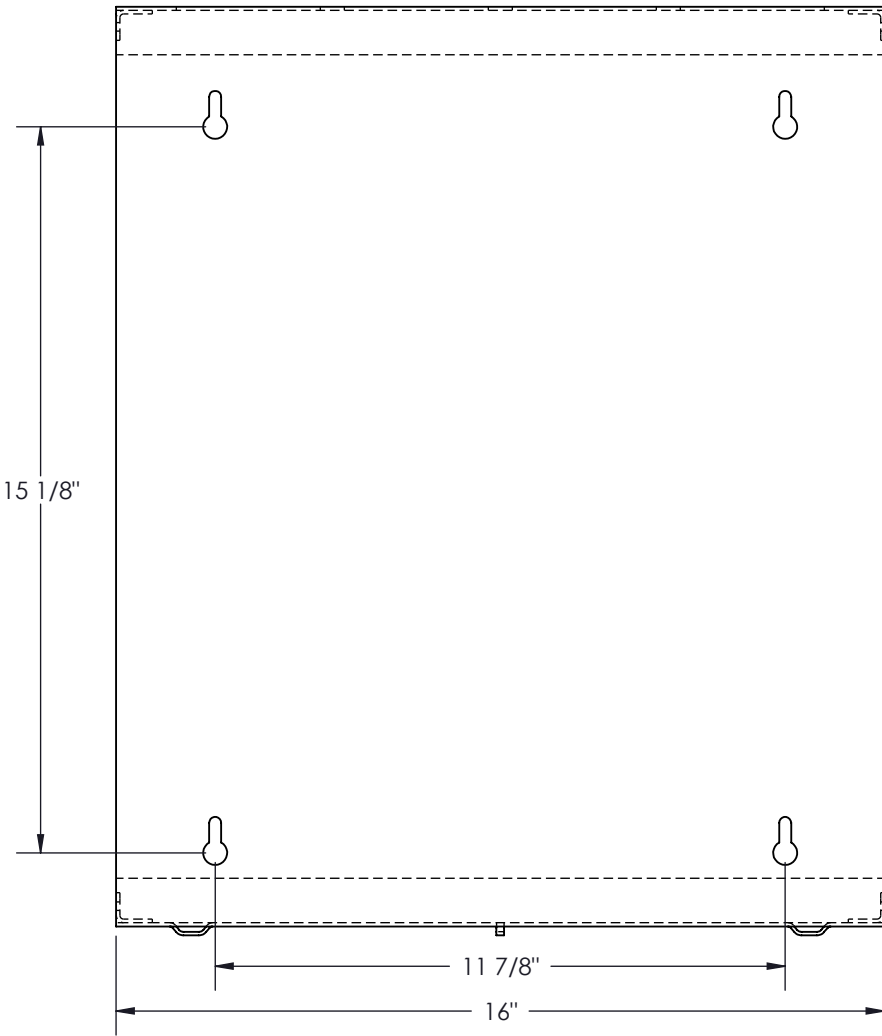


NO.	DWG/SUPPLIER	CFG/SUPPLIER NO.	DESCRIPTION	QTY
1	135201	(3.5) x 16	TOP	1
2	135202	3.75" DEEP	BOTTOM	1
3	1305034306	3.5	SHORT MOUNTING RAILS	4



10-32 @ E.I.A SPACING



- NOTES:
- 1 - APPROX. WEIGHT: 16.05 LBS
 - 2 - CAPACITY: 50.0 LBS
 - 3 - FINISH: TEXTURED POWDER COATING
 - 4 - MATERIAL: STEEL CRS GAUGE 16 (0.060")
 - 5 - CONSTRUCT: FULLY WELDED
 - 6 - INCLUDES X (4) LARGE TRUSS HEAD SCREWS 1/4" - 20 x 5/8"



CONFIDENTIAL
 THE INFORMATION CONTAINED IN THIS DRAWING IS THE SOLE PROPERTY OF ELECTRON METAL A.I.G. INC. ANY REPRODUCTION IN PART OR AS A WHOLE WITHOUT THE WRITTEN PERMISSION OF A.I.G. ELECTRON METAL INC IS PROHIBITED.

DRAWN BY: S.B.	TITLE: AC-25 WALL MOUNT BOX (19 x 3.75) x 16
CHECKED BY: S.B.	
FILE: Boitier19x3p75x16_1305034305_Eng	
PART NO.: WMC-0030788-001	DWG NO.: 1305034305
REV.: -	SCALE: 1:4
DATE: 2014-04-29	SHEET: 1 / 1