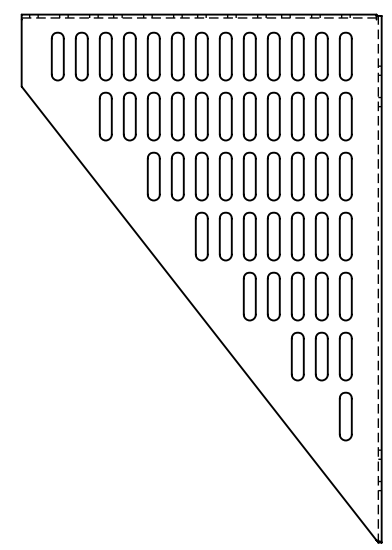
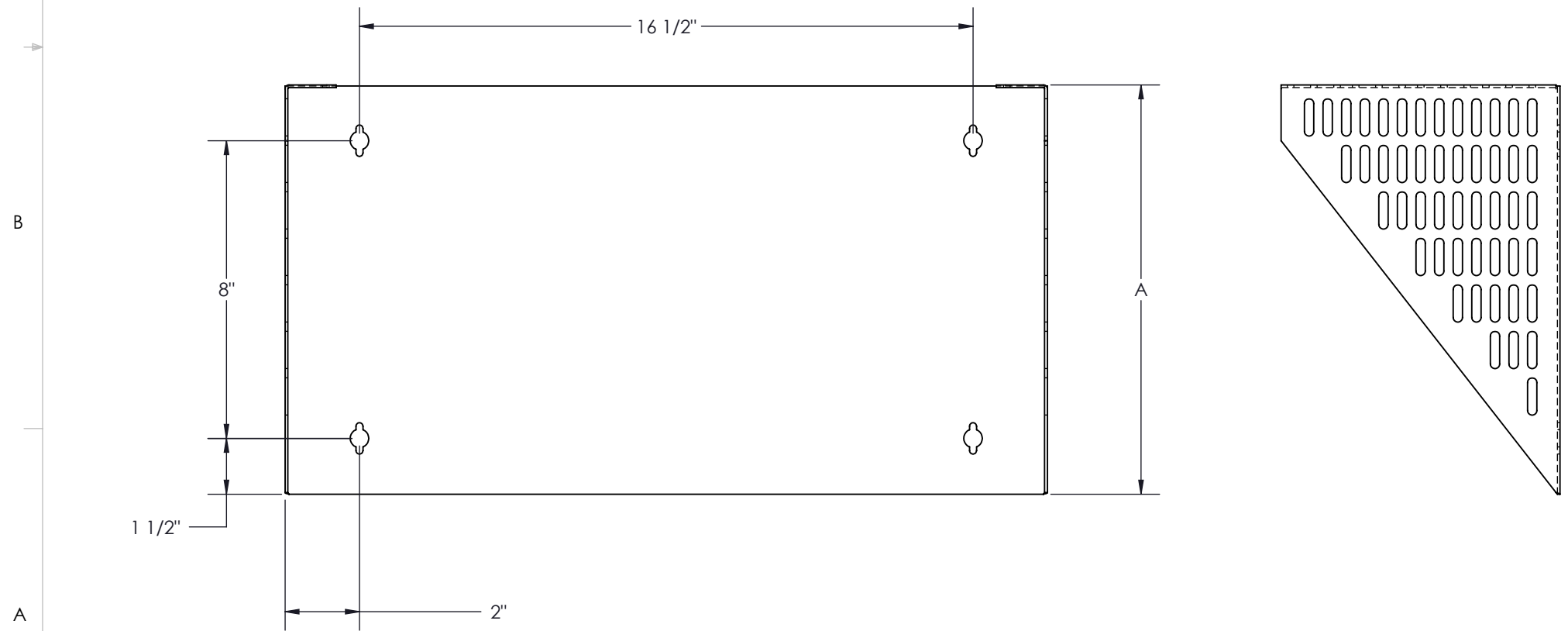
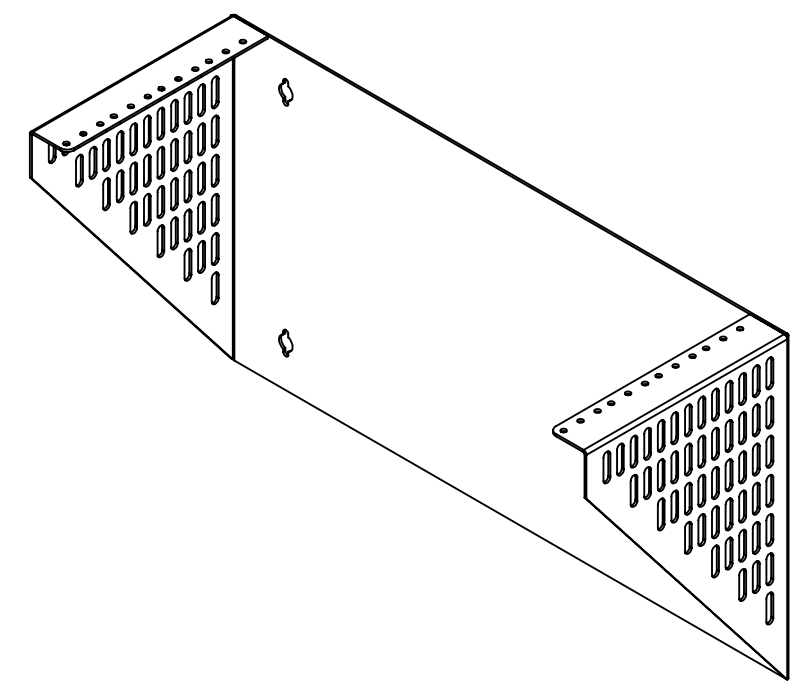
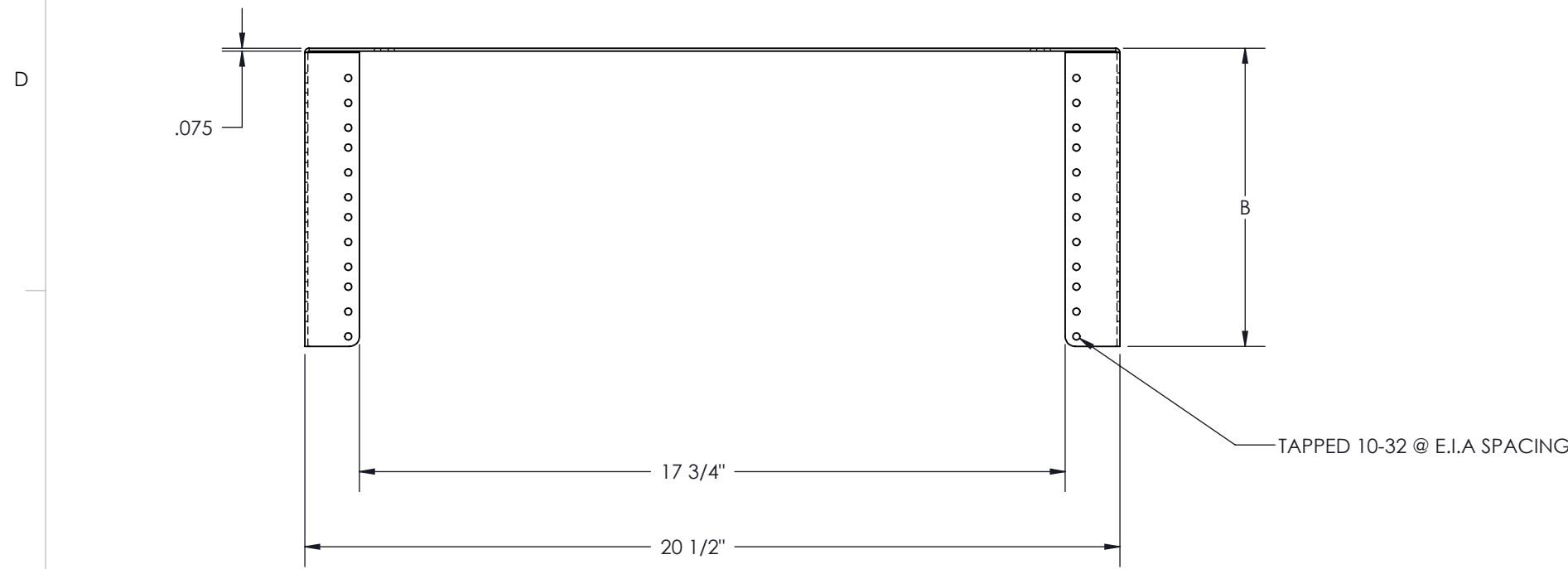


8 7 6 5 4 3 2 1

PART NO.	DESCRIPTION	RU	A	B
WMBVER-190112	(19 x 1.75) x 12 SUPPORT	1	12	2 3/4
WMBVER-190212	(19 x 3.5) x 12 SUPPORT	2	12	4 1/2
WMBVER-190305	(19 x 5.25) x 5.75 SUPPORT	3	5 3/4	5 3/4
WMBVER-190411	(19 x 7) x 11 SUPPORT	4	11	7 1/2
WMBVER-190611	(19 x 10.5) x 11 SUPPORT	6	11	11
WMBVER-190712	(19 x 12.25) x 12 SUPPORT	7	12	12 3/4



- NOTES:
- 1 - APPROX. WEIGHT: 0.30 LBS
 - 2 - FINISH: TEXTURED POWDER COATING
 - 3 - MATERIAL: STEEL CRS GAUGE 16 (0.060")
 - 4 - INCLUDES X(4) TRUSS HEAD SCREWS 10-32 x 5/8"

A

8 7 6 5 4 3 2 1

<p>PROUDLY MANUFACTURED IN CANADA</p>		<p>CFG DWN BY: E.D.</p> <p>CFG CHECKED BY: E.D.</p>		<p>TITLE: VERTICAL SUPPORT</p>	
<p>CONFIDENTIAL</p> <p>THE INFORMATION CONTAINED IN THIS DRAWING IS THE SOLE PROPERTY OF ELECTRON METAL A.I.G. INC. ANY REPRODUCTION IN PART OR AS A WHOLE WITHOUT THE WRITTEN PERMISSION OF A.I.G. ELECTRON METAL INC IS PROHIBITED.</p>		<p>PROJECT: G:\SWDwgs\WallMount\Brackets\</p>		<p>FILE: SupportVertical_1305023896_Eng</p>	
<p>APPROVED BY: T.M.</p>	<p>NEXT STEP: PEINTURE</p>	<p>MATERIAL: 14 GA. CRS</p>	<p>DWG NO.: 1305023896</p>	<p>REV.: E</p>	<p>SCALE: 1:4</p>
				<p>DATE: <Non spécifié></p>	<p>SHEET: 1</p>