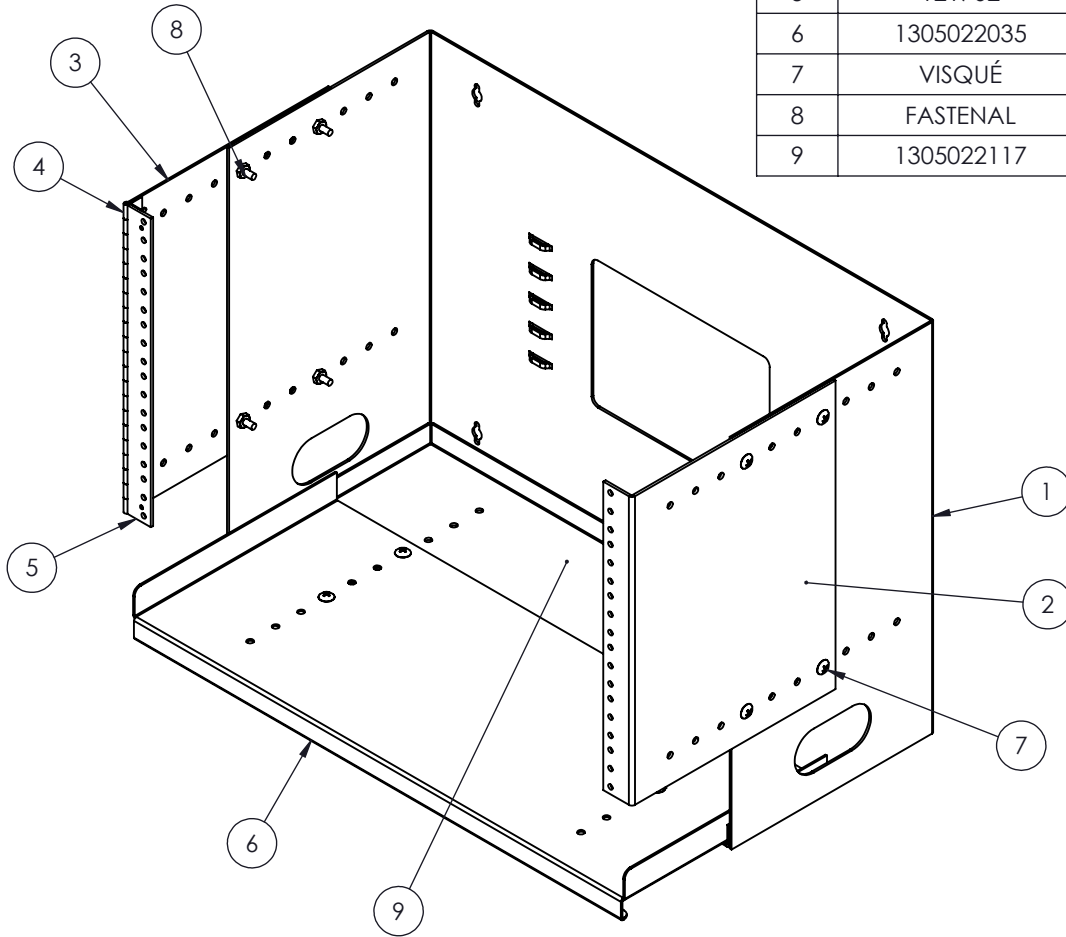


COLOR	PT# SUFFIX
BLACK	-BK
WHITE	-WH
GREY	-GY

NO.	DWG/SUPPLIER	CFG/SUPPLIER NO.	DESCRIPTION	QTY
1	1305026008	Default		1
2	124202	(10.5") BRACKET	FIXED SIDE, ADJ. BRACKET	1
3	124203	SUPPORT (10.5)	HINGE SIDE, ADJ. BRACKET	1
4		270 DEGREES	HINGE CONTINOUS	1
5	121702	RAIL (10.5)		1
6	1305022035	Default	SHELF	1
7	VISQUÉ	10-32 x 0.625	TRUSS HEAD SCREW QUADREX	12
8	FASTENAL	10-32	HEX NUT	12
9	1305022117	Default	BOTTOM, HUB SHELF	1



NOTES:

- 1 - APPROX. WEIGHT: 21.10 LBS
- 2 - CAPACITY: 35.0 LBS
- 3 - FINISH: TEXTURED POWDER COATING
- 4 - MATERIAL:
 - 1 - BODY: STEEL CRS GAUGE 16 (0.060")
 - 2 - RAIL: STEEL CRS GAUGE 14 (0.075")
- 5 - INCLUDES X(4) TRUSS HEAD SCREWS 10-32 x 5/8"



PROPRIETARY AND CONFIDENTIAL
 THE INFORMATION CONTAINED IN THIS DRAWING IS THE SOLE PROPERTY OF ELECTRON METAL A.I.G. INC. ANY REPRODUCTION IN PART OR AS A WHOLE WITHOUT THE WRITTEN PERMISSION OF A.I.G. ELECTRON METAL INC IS PROHIBITED.

APPROVED BY:
E.D.

DRAWN BY:
S.D
CHECKED BY:
E.D

Title:
ADJ. HUB SHELF ASS'Y 19 x 10.5

FILE:
HubShelfAssy_1305026007_WebSite

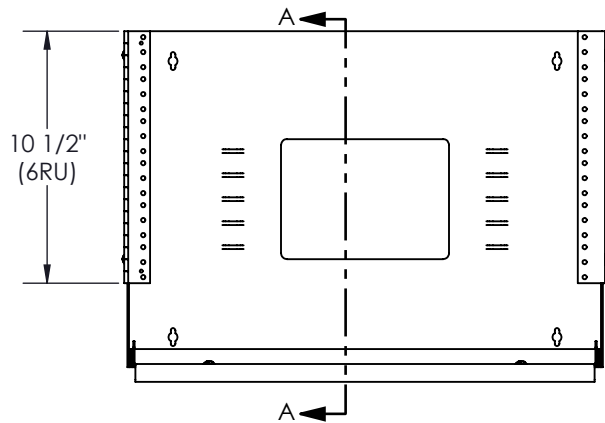
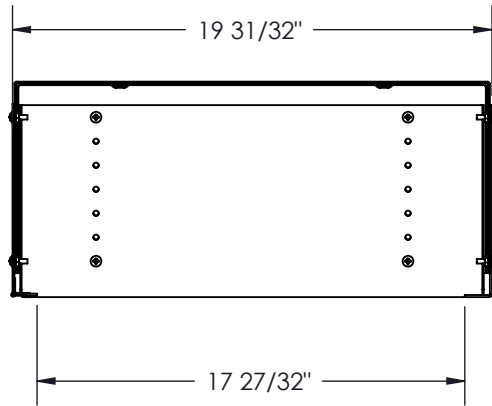
PART NO.:
WMB-0020027-002

DRAWING NO.:
1305026007

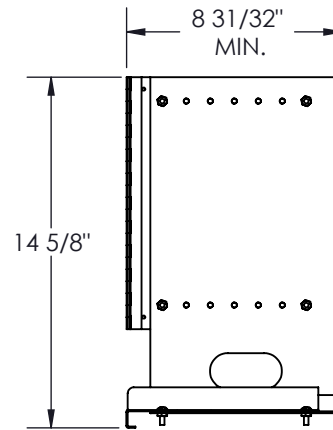
REV.:
B

SCALE: DATE:
1:5.33333 2008-10-08

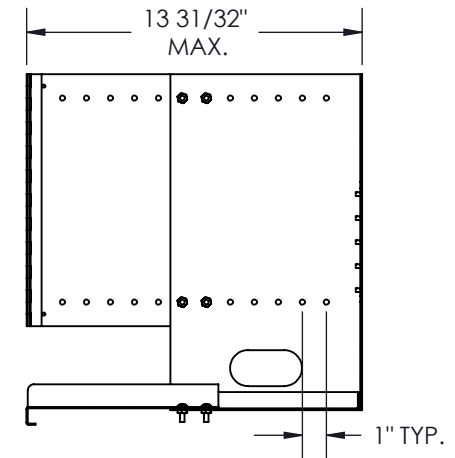
SHEET:
1 / 2



FRONT VIEW



SECTION A-A
9" DEEP



SECTION A-A
14" DEEP

Electron METAL PROUDLY MANUFACTURED IN CANADA.

PROPRIETARY AND CONFIDENTIAL
THE INFORMATION CONTAINED IN THIS DRAWING IS THE SOLE PROPERTY OF ELECTRON METAL A.I.G. INC. ANY REPRODUCTION IN PART OR AS A WHOLE WITHOUT THE WRITTEN PERMISSION OF A.I.G. ELECTRON METAL INC IS PROHIBITED.

APPROVED BY:

5

DRAWN BY:
S.D
CHECKED BY:
E.D

Title:
ADJ. HUB SHELF ASS'Y 19 x 10.5

FILE:
HubShelfAssy_1305026007_WebSite

PART NO.:
WMB-0020027-002

DRAWING NO.:
1305026007

REV.:
B

SCALE:
1:5.33333

DATE:
2008-10-08

SHEET:
2 / 2

4