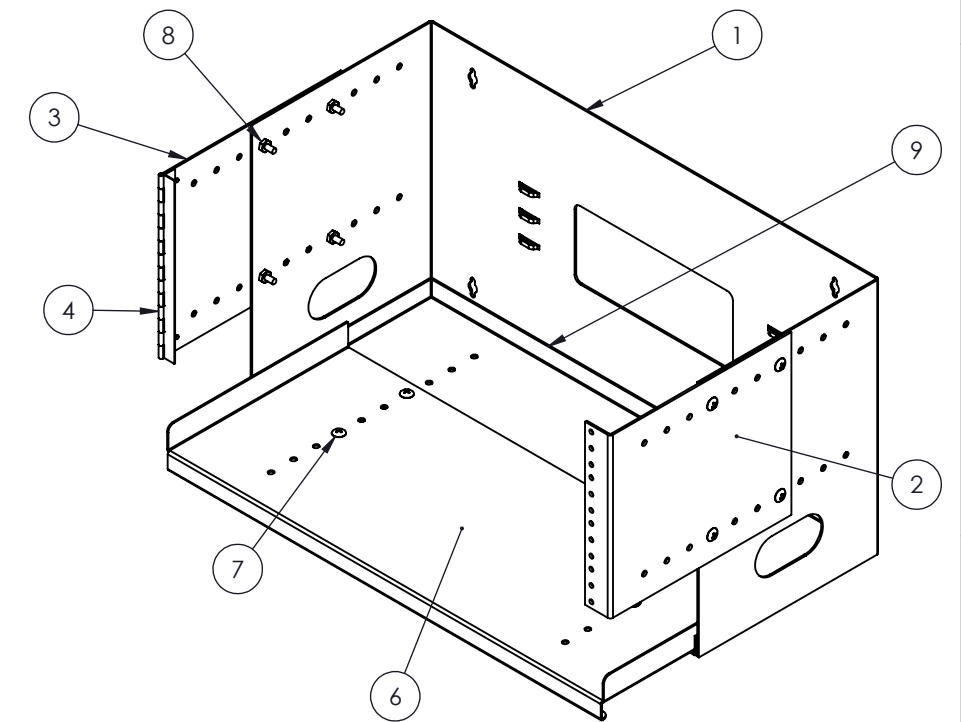
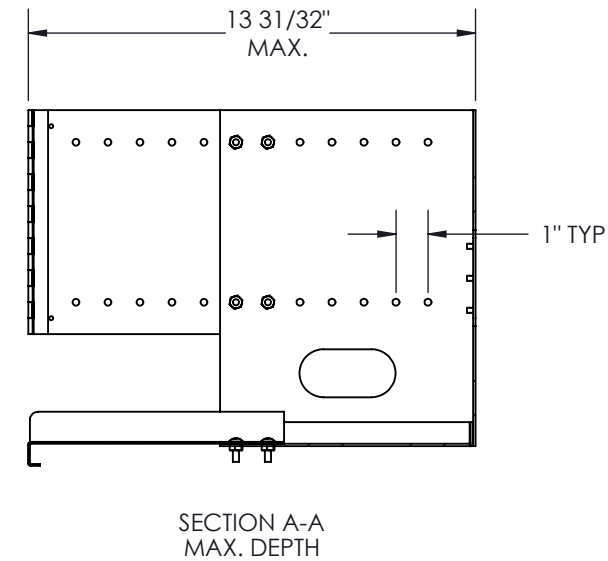
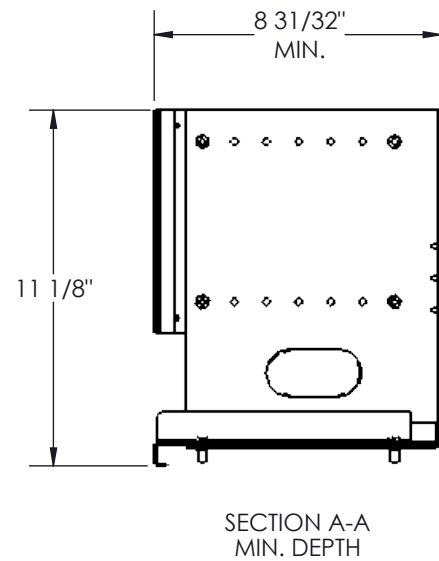
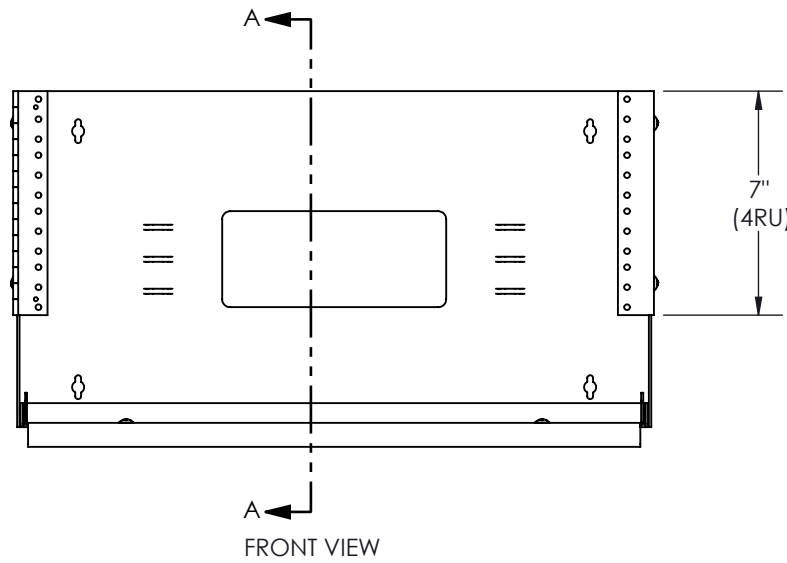
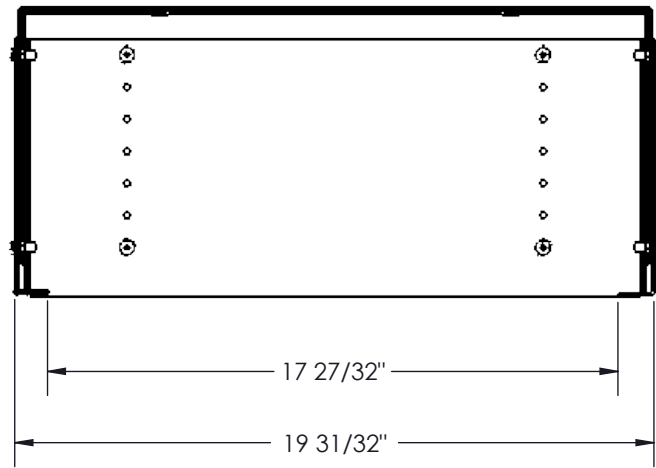


COLOR	PT# SUFFIX
BLACK	-BK
WHITE	-WH
GREY	-GY

NO.	DWG/SUPPLIER	CFG/SUPPLIER NO.	DESCRIPTION	QTY
1	1305022030	Default	BODY, HUB SHELF	1
2	124202	(7") BRACKET	FIXED SIDE, ADJ. BRACKET	1
3	124203	SUPPORT (7)	HINGE SIDE, ADJ. BRACKET	1
4		270 DEGREES	HINGE 1.063" x 7 PIN .094"	1
5	121702	RAIL (7")		1
6	1305022035	Default	SHELF	1
7	VISQUÉ	10-32 x 0.625	TRUSS HEAD SCREW QUADREX	12
8	FASTENAL	10-32	HEX NUT	12
9	1305022117	Default	BOTTOM, HUB SHELF	1

NOTES:

- 1 - APPROX. WEIGHT: 17.25 LBS
- 2 - CAPACITY: 35 LBS
- 3 - FINISH: TEXTURED POWDER COATING
- 4 - MATERIALS:
 - 1 - BODY: STEEL CRS GAUGE 16 (0.060")
 - 2 - RAILS: STEEL CRS GAUGE 14 (0.075")
- 5 - INCLUDES x(4) TRUSS HEAD SCREWS 10-32 x 5/8"



Electron METAL PROUDLY MANUFACTURED IN CANADA

CONFIDENTIAL
 THE INFORMATION CONTAINED IN THIS DRAWING IS THE SOLE PROPERTY OF ELECTRON METAL A.I.G. INC. ANY REPRODUCTION IN PART OR AS A WHOLE WITHOUT THE WRITTEN PERMISSION OF A.I.G. ELECTRON METAL INC IS PROHIBITED.

DRAWN BY: E.D.	TITLE: ADJUSTABLE HUB SHELF (19 x 7)			
CHECKED BY: E.D.	FILE: HubShelf19x7_1305022031_Eng			
APPROVED BY: E.D.	PART NO.: WMB-0020027-001	DWG NO.: 1305022031	REV.: B	SCALE: 1:6
		DATE: 2005-07-07		SHEET: 1 / 1