

D

B

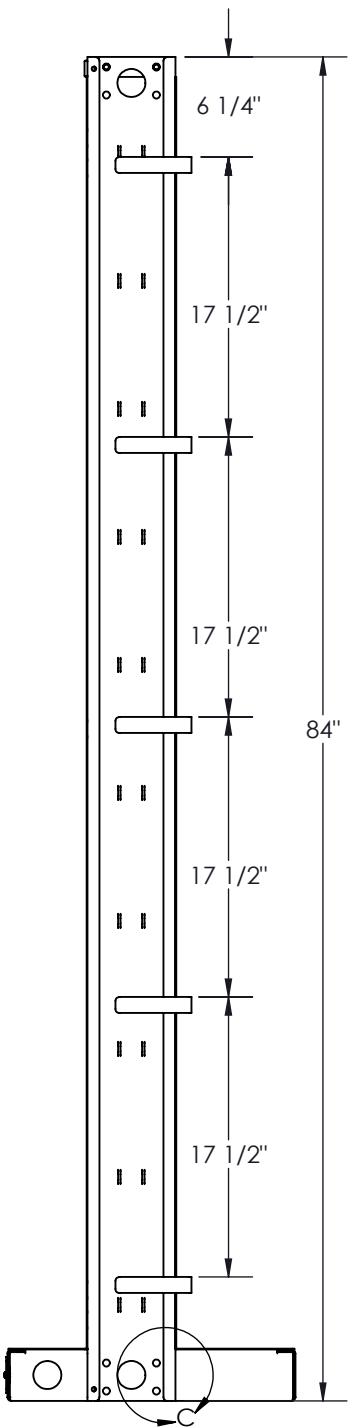
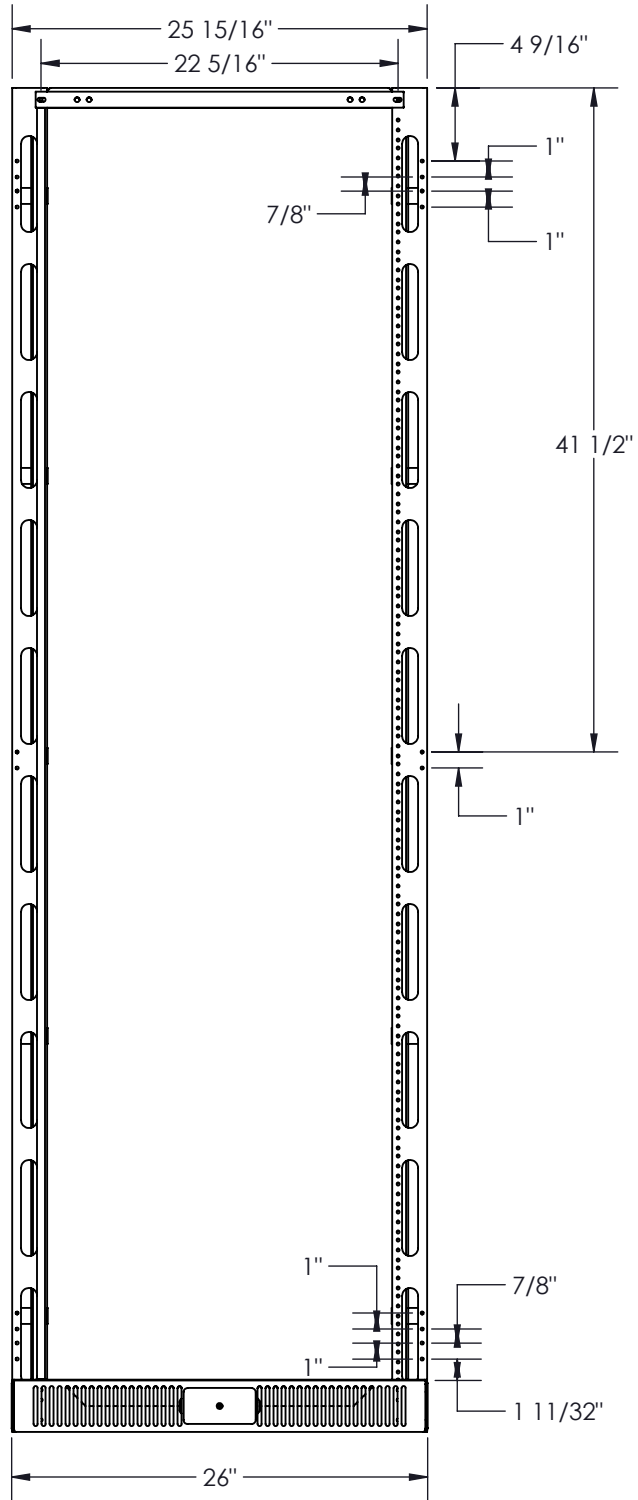
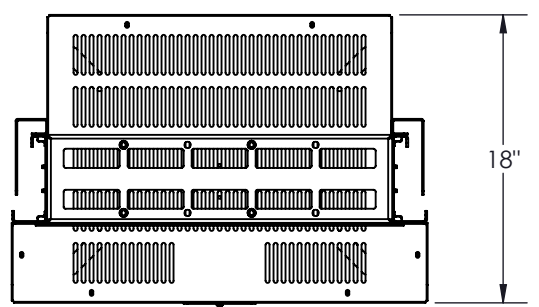
A

D

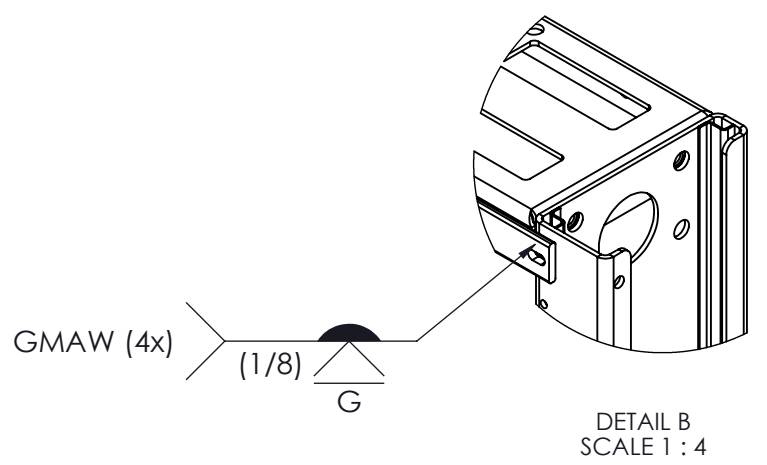
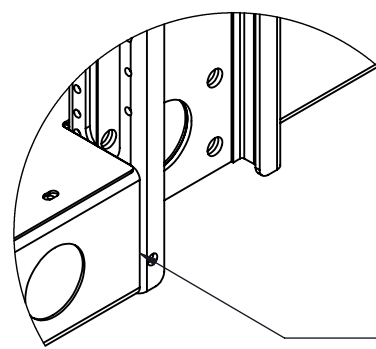
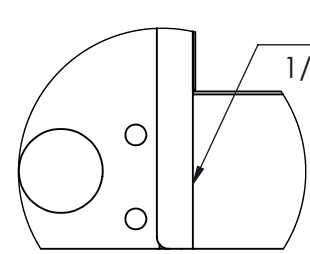
C

B

A



NO.	DWG/SUPPLIER	CFG/SUPPLIER NO.	DESCRIPTION	QTY
1	2932-002	Default	BASE ASSEMBLY (23) x 18	1
2	1305032891	Default	UPRIGHT	2
3	1305032892	Default	TOP	1
4	1305032913	84"	"Z" BRACKET	4
5	1305035717	BARRE (23")	COPPER GROUND BAR	1
6	1305033609	Default	RAIL BRACKET	10
7	S-0616-1-Z1	S-0616-1-Z1	PEM NUT 3/8 - 16	8
8	2932-004	Default	COVER, FLOOR SUPPORT - 23" x 18"	1
9	JOLI	8392-54-500-625 - 84"	FOIL TAPE 1/2"	2
10	1305036696	Default	DUPLEX PLATE	1



NOTES:

- 1 - APPROX. WEIGHT: 91.80 LBS
- 2 - FINISH: TEXTURED POWDER COATING
- 3 - MATERIAL: STEEL CRS 11 GAUGE (0.119")
- 4 - CONSTRUCT: FULLY WELDED
- 5 - INCLUDES: ASSMEBY HARDWARE

NOTES:  
TELECOM FRAME BUILT IN ACCORDANCE WITH NORMAL SEISMIC REF :  
BELLCORE ZONE 4 GR-63-CORE

**Electron METAL** PROUDLY MANUFACTURED IN CANADA  
CONFIDENTIAL  
THE INFORMATION CONTAINED IN THIS DRAWING IS THE SOLE PROPERTY OF ELECTRON METAL A.I.G. INC. ANY REPRODUCTION IN PART OR AS A WHOLE WITHOUT THE WRITTEN PERMISSION OF A.I.G. ELECTRON METAL INC IS PROHIBITED.

DRAWN BY: R.B.	TITLE: TELECOM RACK 45RU (23 x 78.75) x 18 26 x 84 x 18
CHECKED BY: R.B.	
FILE: TelecomRack23x78p75x18_2932-001_Eng_WebsiteONLY	
PART NO.: RKTFR1-234500	DWG NO.: REV: A SCALE: 1:16 DATE: 2020-04-07 SHEET: 1 / 1

APPROVED BY:  
E.D.