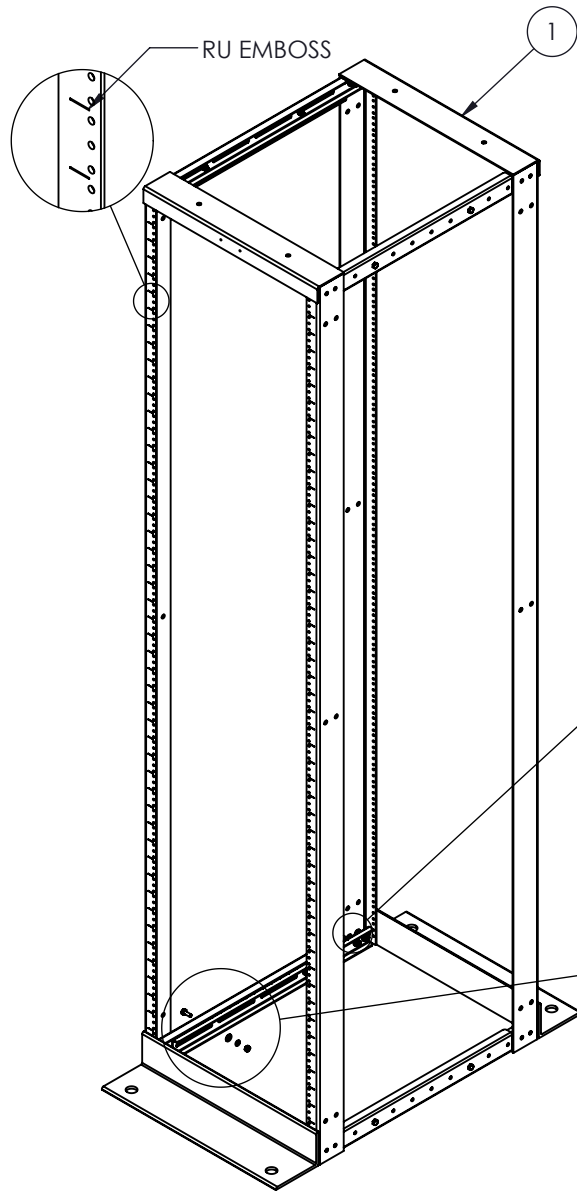


NO.	DWG/SUPPLIER	CFG/SUPPLIER NO.	DESCRIPTION	QTY
1	1305023482	Default	FRAME (19 x 84)	2
2	3215-002	22.5"	EXTERIOR BRACKET	4
3	3215-003	23.125"	INTERIOR BRACKET	4
4	TECHNI-VIS	*.250	FLAT WASHER 1/4"	32
5	FASTENAL	*.250-20	HEX NUT 1/4-20	24
6	TECHNI-VIS	*.250	SPLIT LOCK WASHER 1/4"	24
7	FASTENAL	*.250-20 x .750	HEX BOLT 1/4-20 x 3/4	8



INSTALL FLAT WASHERS BETWEEN THE INTERIOR BRACKETS AND THE UPRIGHTS (8)X

NOTES:

- 1 - APPROX. WEIGHT: 88.7 LBS
- 2 - FINISH: TEXTURED POWDER COAT
- 3 - INCLUDING 100 SCREWS 10-32 x 5/8 BLACK
- 4 - PART NO. FOR OPTIONAL PRINTED RU MARKINGS:  
- RKDKRT-194826-42
- 4 - THIS PART REPLACES THE FOLLOWING PARTS:  
- RKDKIT-194828  
- RKDKIT-194832



**PROPRIETARY AND CONFIDENTIAL**  
THE INFORMATION CONTAINED IN THIS DRAWING IS THE SOLE PROPERTY OF ELECTRON METAL A.I.G. INC. ANY REPRODUCTION IN PART OR AS A WHOLE WITHOUT THE WRITTEN PERMISSION OF A.I.G. ELECTRON METAL INC IS PROHIBITED.

DRAWN BY:  
E.D.  
CHECKED BY:  
E.D.

Title:  
**DOUBLE RACK 48RU (19 x 84) x 26" TO 42"**  
**20.5" x 89.6" x 26" - 42"**

PROJECT:  
G:\SWDwgs\Racks\DoubleRck\

FILE:  
DbIRck19x84\_26\_42\_3215-004\_Eng

APPROVED BY:  
T.M.

PART NO.:  
RKDKIT-194826-42

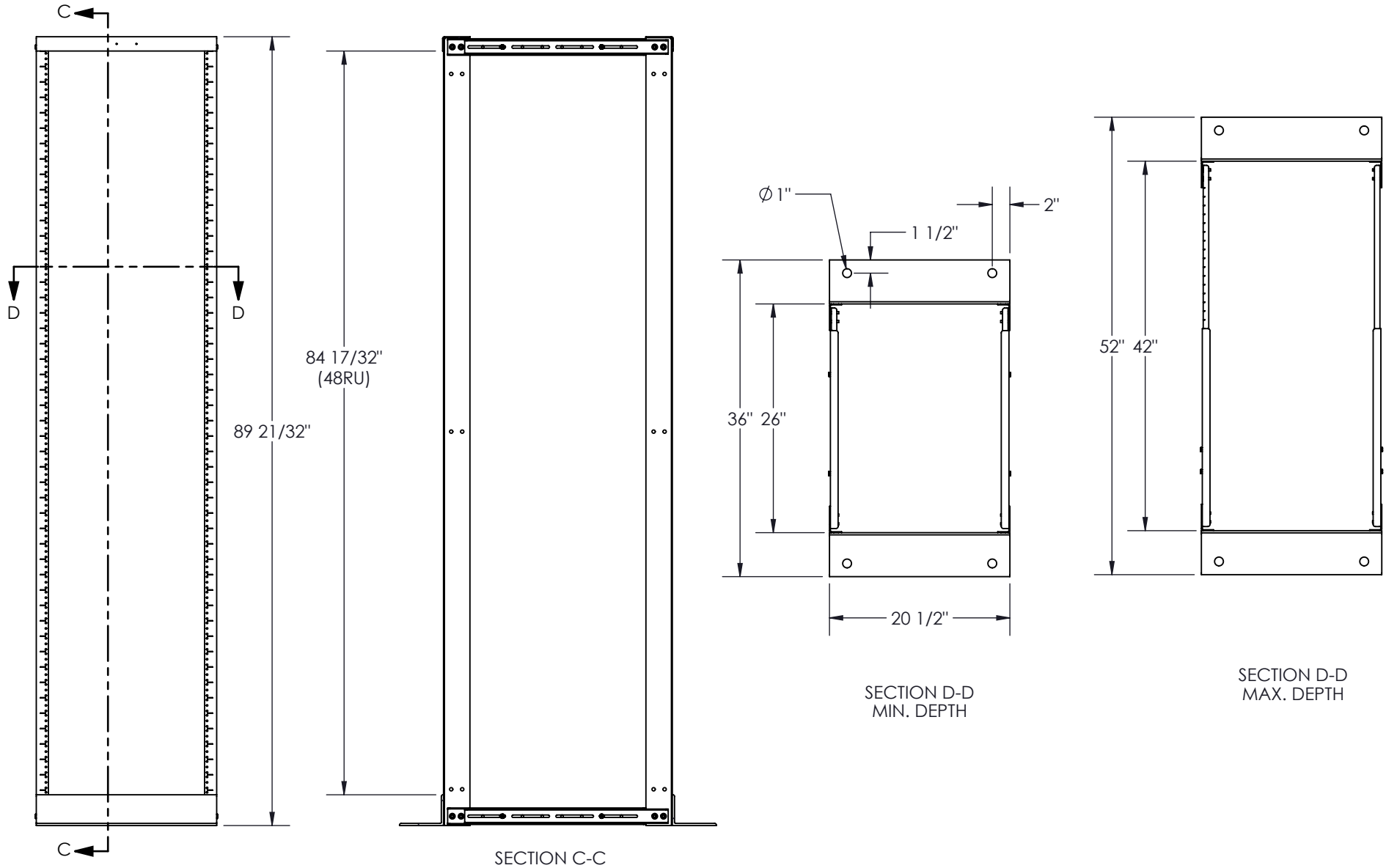
DRAWING NO.:  
3215-004

REV.:

SCALE:  
1:16

DATE:  
2021-12-14

SHEET:  
1 / 2



**Electron METAL** PROUDLY MANUFACTURED IN CANADA.

**PROPRIETARY AND CONFIDENTIAL**  
 THE INFORMATION CONTAINED IN THIS DRAWING IS THE SOLE PROPERTY OF ELECTRON METAL A.I.G. INC. ANY REPRODUCTION IN PART OR AS A WHOLE WITHOUT THE WRITTEN PERMISSION OF A.I.G. ELECTRON METAL INC IS PROHIBITED.

APPROVED BY:  
 T.M.

DRAWN BY: E.D.		Title: DOUBLE RACK 48RU (19 x 84) x 26" TO 42" 20.5" x 89.6" x 26" - 42"			
CHECKED BY: E.D.		PROJECT: G:\SWDwgs\Racks\DoubleRck\		FILE: DbIRck19x84_26_42_3215-004_Eng	
PART NO: RKDKIT-194826-42		DRAWING NO: 3215-004		REV.:	SHEET: 2 / 2
				SCALE: 1:16	DATE: 2021-12-14