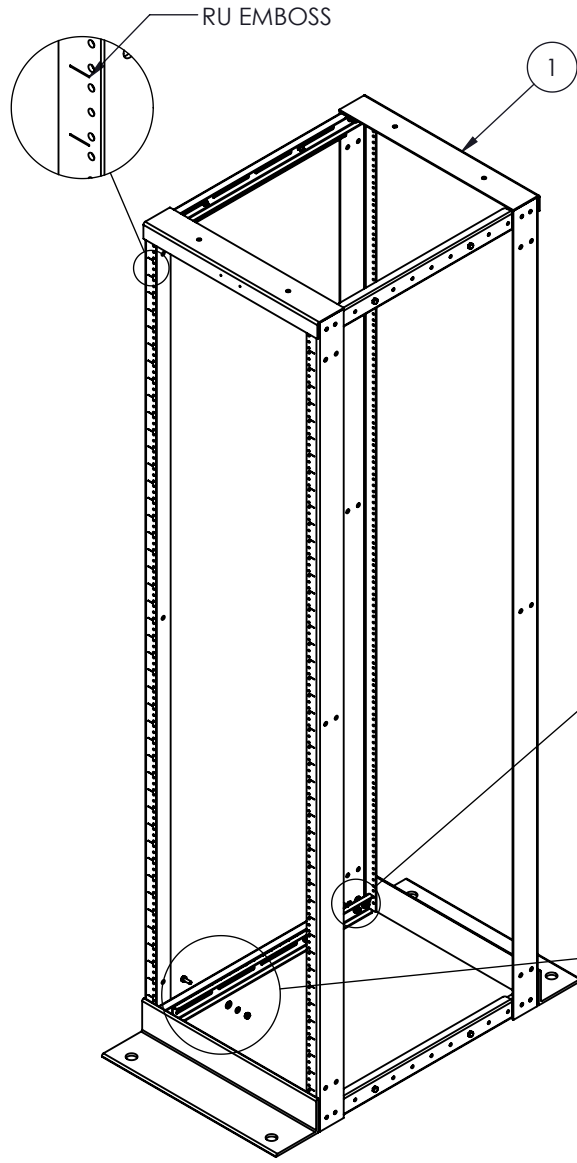


NO.	DWG/SUPPLIER	CFG/SUPPLIER NO.	DESCRIPTION	QTY
1	1305021669	Default	FRAME (19 x 77)	2
2	3215-002	22.5"	EXTERIOR BRACKET	4
3	3215-003	23.125"	INTERIOR BRACKET	4
4	TECHNI-VIS	*.250	FLAT WASHER 1/4"	32
5	FASTENAL	*.250-20	HEX NUT 1/4-20	24
6	TECHNI-VIS	*.250	SPLIT LOCK WASHER 1/4"	24
7	FASTENAL	*.250-20 x .750	HEX BOLT 1/4-20 x 3/4	8



INSTALL FLAT WASHERS BETWEEN THE INTERIOR BRACKETS AND THE UPRIGHTS (8)X

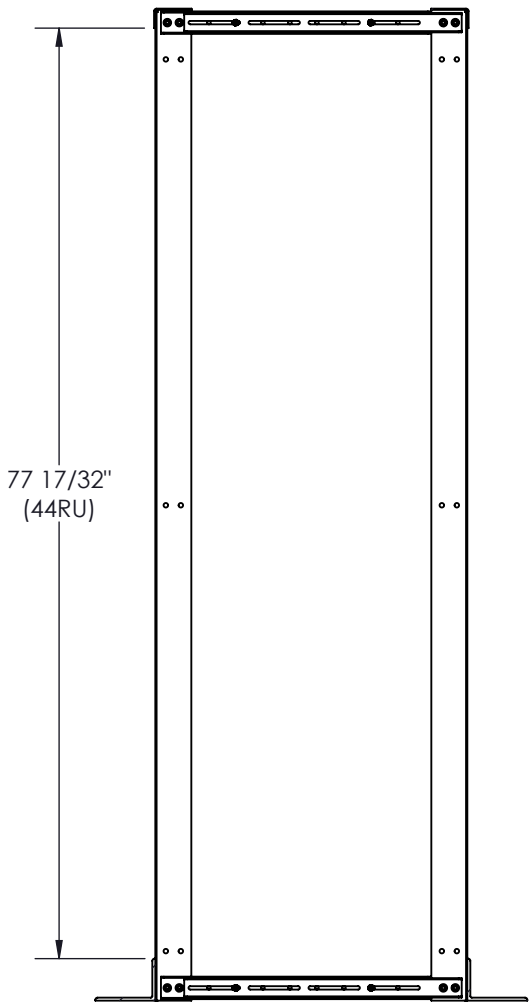
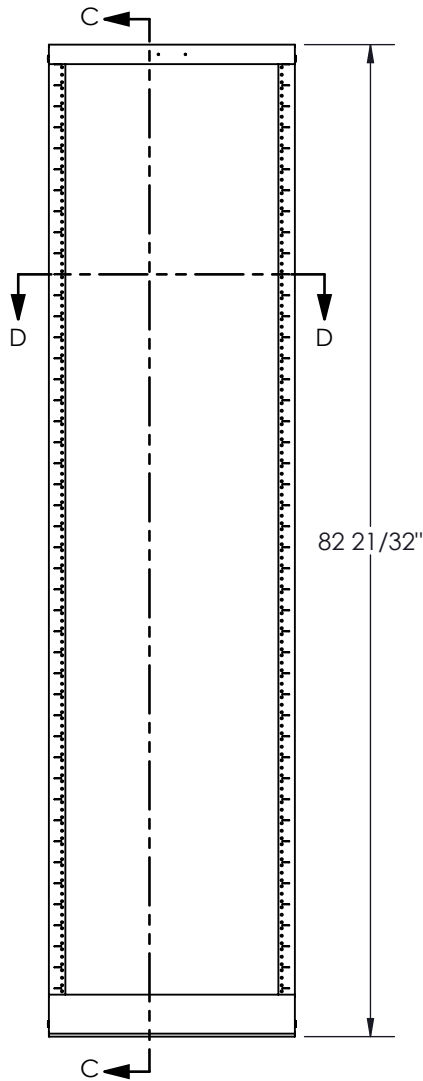
NOTES:

- 1 - APPROX. WEIGHT: 85.0 LBS
- 2 - FINISH: TEXTURED POWDER COAT
- 3 - INCLUDING 100 SCREWS 10-32 x 5/8 BLACK
- 4 - PART NO. FOR OPTIONAL PRINTED RU MARKINGS:
- RKDKRT-194426-42
- 4 - THIS PART REPLACES THE FOLLOWING PARTS:
- RKDKIT-194428
- RKDKIT-194432

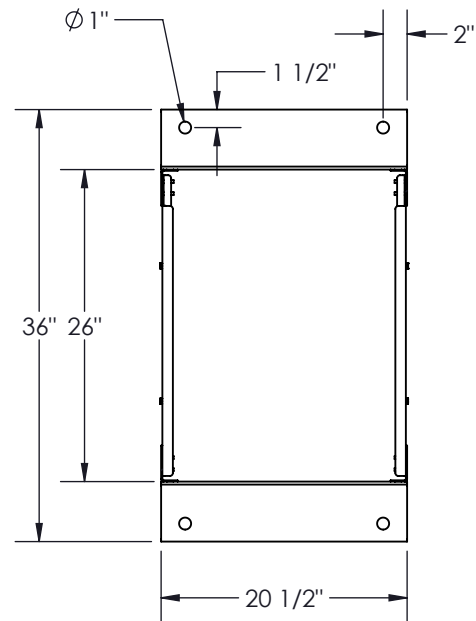


PROPRIETARY AND CONFIDENTIAL
THE INFORMATION CONTAINED IN THIS DRAWING IS THE SOLE PROPERTY OF ELECTRON METAL A.I.G. INC. ANY REPRODUCTION IN PART OR AS A WHOLE WITHOUT THE WRITTEN PERMISSION OF A.I.G. ELECTRON METAL INC IS PROHIBITED.

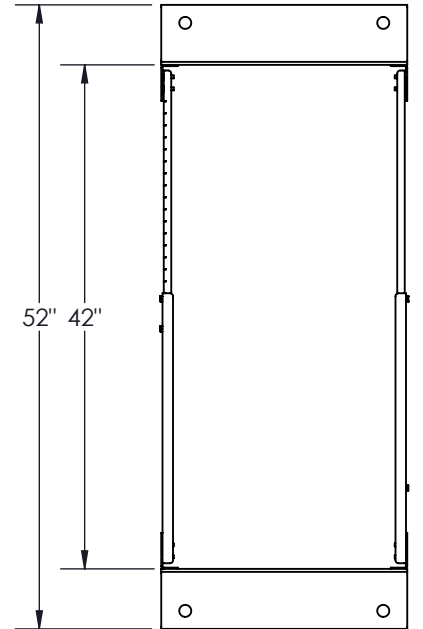
DRAWN BY: R.H. CHECKED BY: E.D.	Title: DOUBLE RACK (19 x 77) 26" - 42" 20.5" x 82.6" x 26" - 42"
PROJECT: G:\SWDwgs\Racks\DoubleRck\	FILE: DbIRck19x77_26_42_3215-001_Eng
PART NO.: RKDKIT-194426-42	DRAWING NO.: 3215-001
APPROVED BY: E.D.	REV.: A
	SCALE: 1:16
	DATE: 2021-06-08
	SHEET: 1 / 2



SECTION C-C



SECTION D-D
MIN. DEPTH



SECTION D-D
MAX. DEPTH

Electron METAL PROUDLY MANUFACTURED IN CANADA.

PROPRIETARY AND CONFIDENTIAL
THE INFORMATION CONTAINED IN THIS DRAWING IS THE SOLE PROPERTY OF ELECTRON METAL A.I.G. INC. ANY REPRODUCTION IN PART OR AS A WHOLE WITHOUT THE WRITTEN PERMISSION OF A.I.G. ELECTRON METAL INC IS PROHIBITED.

APPROVED BY:
E.D.

DRAWN BY:
R.H.
CHECKED BY:
E.D.

Title:
DOUBLE RACK (19 x 77) 26" - 42"
20.5" x 82.6" x 26" - 42"

PROJECT:
G:\SWDwgs\Racks\DoubleRck\

FILE:
DbIRck19x77_26_42_3215-001_Eng

PART NO.:
RKDKIT-194426-42

DRAWING NO.:
3215-001

REV.:
A

SCALE:
1:16

DATE:
2021-06-08

SHEET:
2 / 2