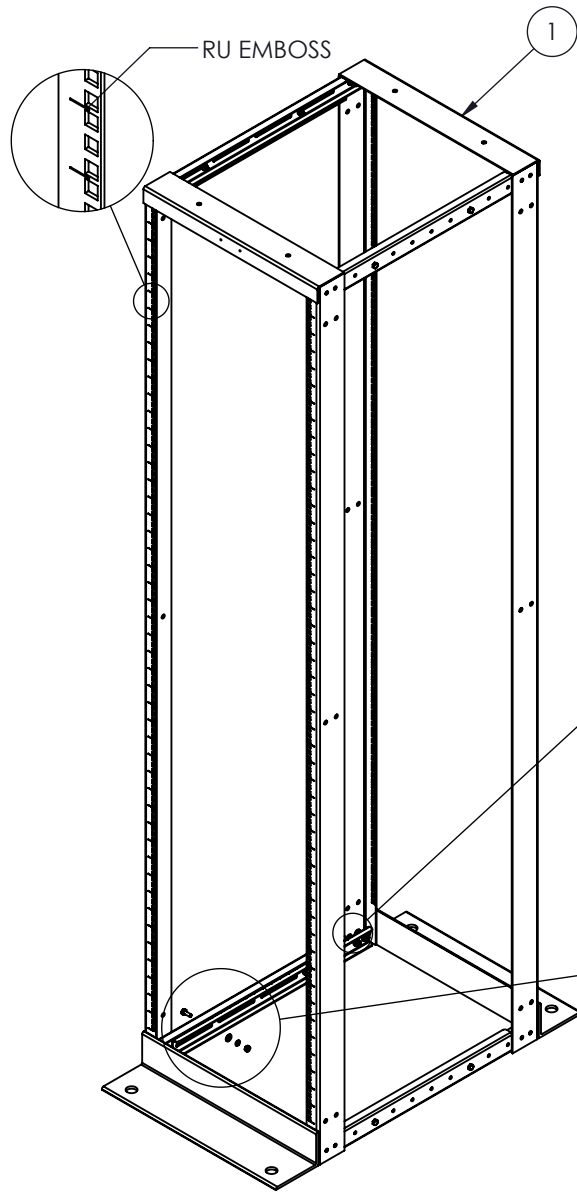


NO.	DWG/SUPPLIER	CFG/SUPPLIER NO.	DESCRIPTION	QTY
1	1305026016	Default	FRAME (19 x 84) CAGE-NUTS	2
2	3215-002	22.5"	EXTERIOR BRACKET	4
3	3215-003	23.125"	INTERIOR BRACKET	4
4	TECHNI-VIS	*.250	FLAT WASHER 1/4"	32
5	FASTENAL	*.250-20	HEX NUT 1/4-20	24
6	TECHNI-VIS	*.250	LOCK WASHER	24
7	FASTENAL	*.250-20 x .750	HEX BOLT 1/4-20 x 3/4	8



NOTES:

- 1 - APPROX. WEIGHT: 69 LBS
- 2 - FINISH: TEXTURED POWDER COAT
- 3 - INCLUDING:
 - 100 SCREWS 10-32 x 5/8 BLACK
 - 100 CAGE-NUTS 10-32
- 4 - PART NO. FOR OPTIONAL PRINTED RU MARKINGS:
 - RKDKRC-194826-42
- 5 - THIS PART REPLACES THE FOLLOWING PARTS:
 - RKDKIC-194828
 - RKDKIC-194832
- 6 - CAPACITY: 2000 LBS

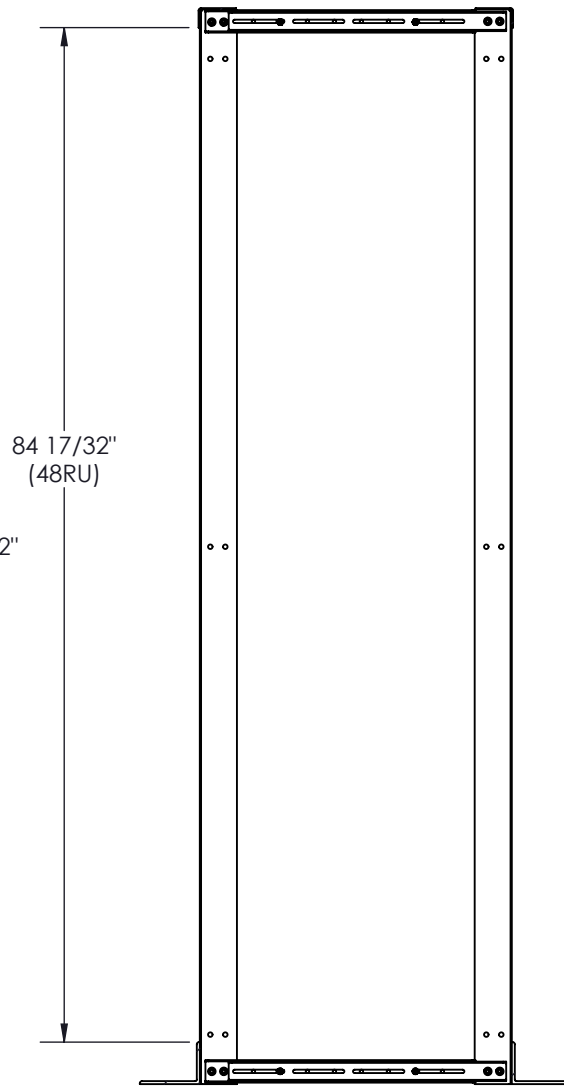
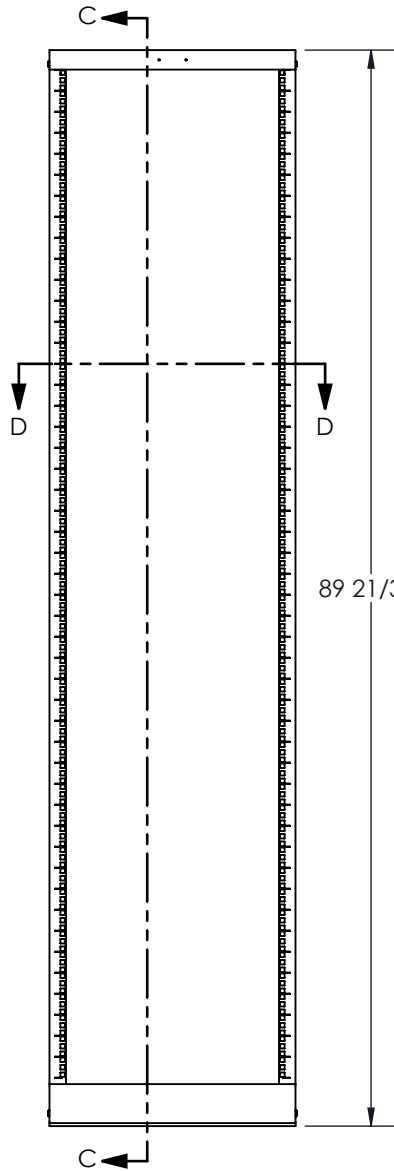
RÉV.	DESCRIPTION	DATE	APPR.	INV.
RÉVISIONS				



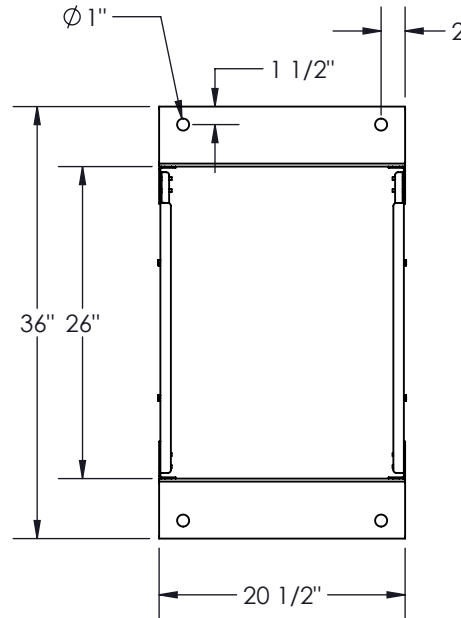
PROPRIETARY AND CONFIDENTIAL
 THE INFORMATION CONTAINED IN THIS DRAWING IS THE SOLE PROPERTY OF ELECTRON METAL A.I.G. INC. ANY REPRODUCTION IN PART OR AS A WHOLE WITHOUT THE WRITTEN PERMISSION OF A.I.G. ELECTRON METAL INC IS PROHIBITED.

APPROVED BY:
 T.M.

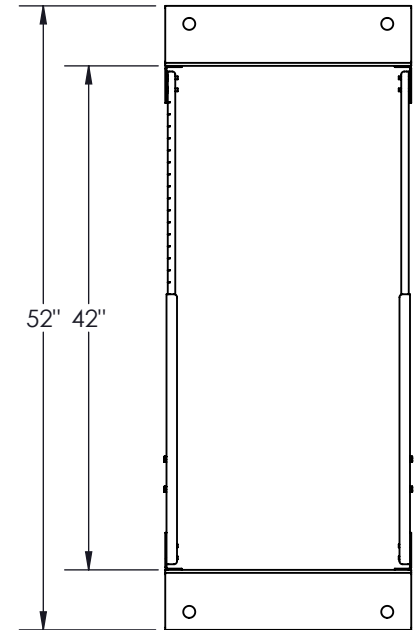
DRAWN BY: E.D.	Title: DBL RACK 48RU (19 x 84) x 26 TO 42 CAGE-NUTS 20.5" x 89.6" x 26" - 42"			
CHECKED BY: E.D.	PROJECT: G:\SWDwgs\Racks\DoubleRck\		FILE: DbIRck19x84_26_42CageNuts_3215-006_Eng	
PART NO.: RKDKIC-194826-42		DRAWING NO.: 3215-006	REV.:	SCALE: 1:16
			DATE: 2021-12-17	SHEET: 1 / 2



SECTION C-C



SECTION D-D
MIN. DEPTH



SECTION D-D
MAX. DEPTH

Electron METAL PROUDLY MANUFACTURED IN CANADA.

PROPRIETARY AND CONFIDENTIAL
THE INFORMATION CONTAINED IN THIS DRAWING IS THE SOLE PROPERTY OF ELECTRON METAL A.I.G. INC. ANY REPRODUCTION IN PART OR AS A WHOLE WITHOUT THE WRITTEN PERMISSION OF A.I.G. ELECTRON METAL INC IS PROHIBITED.

APPROVED BY:
T.M.

DRAWN BY:
E.D.
CHECKED BY:
E.D.

Title:
DBL RACK 48RU (19 x 84) x 26 TO 42 CAGE-NUTS
20.5" x 89.6" x 26" - 42"

PROJECT:
G:\SWDwgs\Racks\DoubleRck\

FILE:
DbIRck19x84_26_42CageNuts_3215-006_Eng

PART NO.:
RKDKIC-194826-42

DRAWING NO.:
3215-006

REV.:

SCALE:
1:16

DATE:
2021-12-17

SHEET:
2 / 2