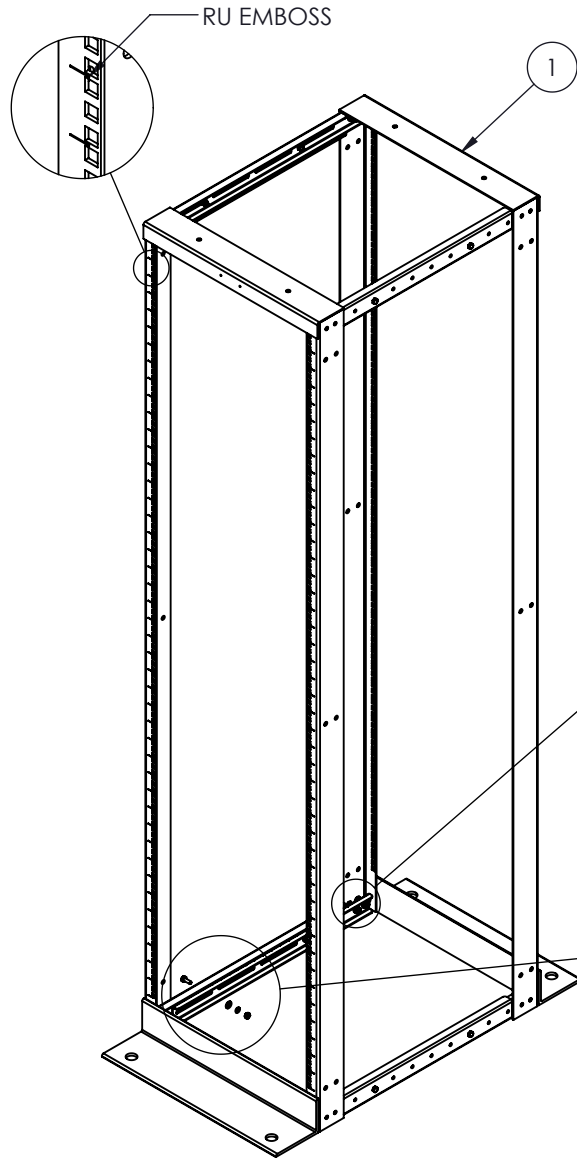


NO.	DWG/SUPPLIER	CFG/SUPPLIER NO.	DESCRIPTION	QTY
1	1305027199	Default	FRAME (19 x 77) CAGE-NUTS	2
2	3215-002	22.5"	EXTERIOR BRACKET	4
3	3215-003	23.125"	INTERIOR BRACKET	4
4	TECHNI-VIS	*.250	FLAT WASHER 1/4"	32
5	FASTENAL	*.250-20	HEX NUT 1/4-20	24
6	TECHNI-VIS	*.250	LOCK WASHER	24
7	FASTENAL	*.250-20 x .750	HEX BOLT 1/4-20 x 3/4	8



INSTALL FLAT WASHERS BETWEEN THE INTERIOR BRACKETS AND THE UPRIGHTS (8)X

NOTES:

- 1 - APPROX. WEIGHT: 83.4 LBS
- 2 - FINISH: TEXTURED POWDER COAT
- 3 - INCLUDING:
 - 100 SCREWS 10-32 x 5/8 BLACK
 - 100 CAGE-NUTS 10-32
- 4 - PART NO. FOR OPTIONAL PRINTED RU MARKINGS:
 - RKDKRC-194426-42
- 5 - THIS PART REPLACES THE FOLLOWING PARTS:
 - RKDKIC-194428
 - RKDKIC-194432
- 6 - CAPACITY: 2000 LBS



PROPRIETARY AND CONFIDENTIAL
 THE INFORMATION CONTAINED IN THIS DRAWING IS THE SOLE PROPERTY OF ELECTRON METAL A.I.G. INC. ANY REPRODUCTION IN PART OR AS A WHOLE WITHOUT THE WRITTEN PERMISSION OF A.I.G. ELECTRON METAL INC IS PROHIBITED.

DRAWN BY:
E.D.
 CHECKED BY:
E.D.

Title:
DBL RACK (19 x 77) x 26 TO 42 CAGE-NUTS
 20.5" x 82.6" x 26" - 42"

PROJECT:
 G:\SWDwgs\Racks\DoubleRck\

FILE:
 DbIRck19x77_26_42CageNuts_3215-005_Eng

APPROVED BY:
 T.M.

PART NO.:
 RKDKIC-194426-42

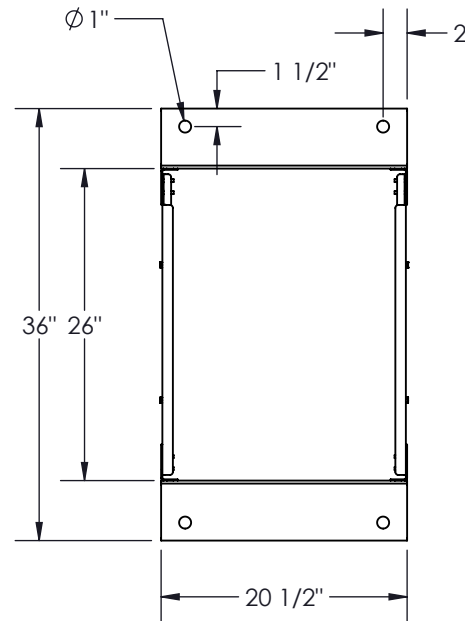
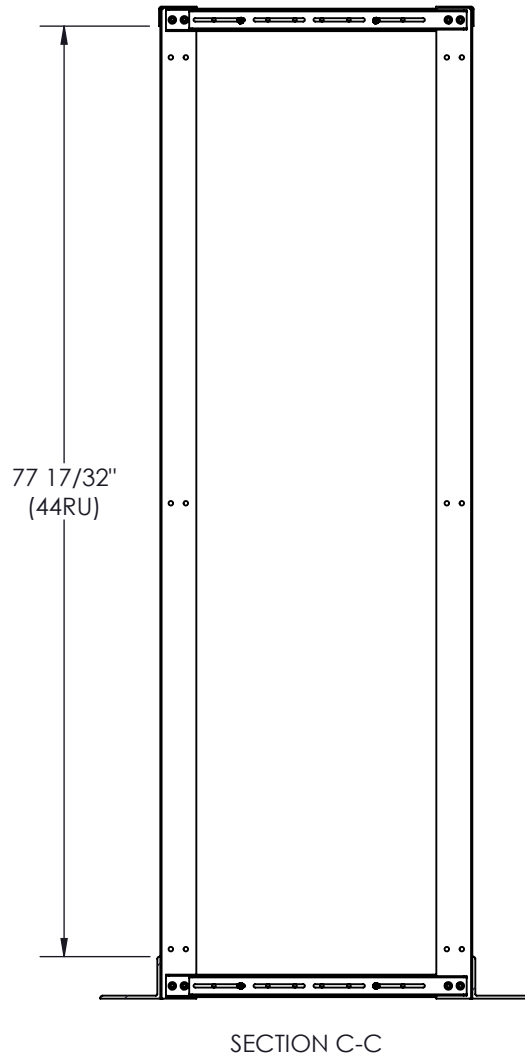
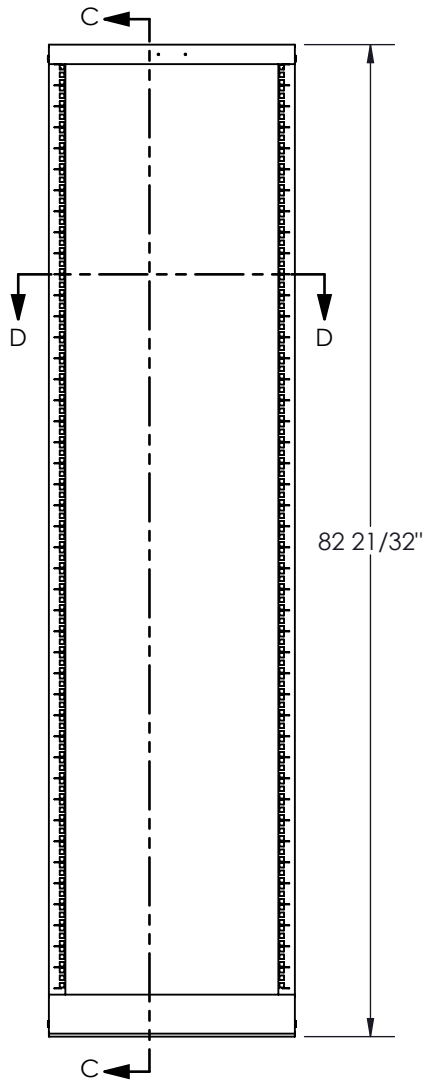
DRAWING NO.:
 3215-005

REV.:

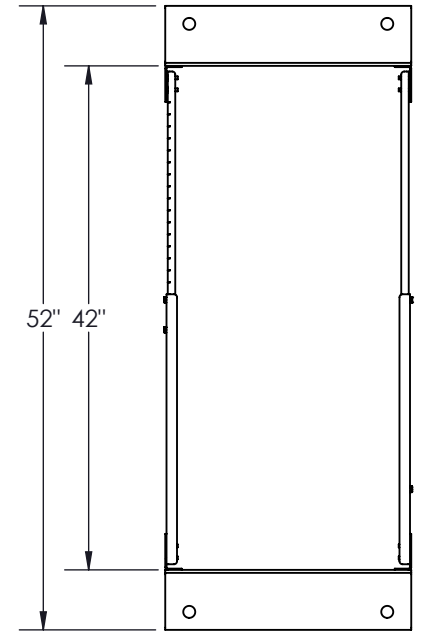
SCALE:
 1:16

DATE:
 2021-12-16

SHEET:
 1 / 2



SECTION D-D
MIN. DEPTH



SECTION D-D
MAX. DEPTH

Electron METAL PROUDLY MANUFACTURED IN CANADA.

PROPRIETARY AND CONFIDENTIAL
THE INFORMATION CONTAINED IN THIS DRAWING IS THE SOLE PROPERTY OF ELECTRON METAL A.I.G. INC. ANY REPRODUCTION IN PART OR AS A WHOLE WITHOUT THE WRITTEN PERMISSION OF A.I.G. ELECTRON METAL INC IS PROHIBITED.

DRAWN BY:
E.D.
CHECKED BY:
E.D.

Title:
DBL RACK (19 x 77) x 26 TO 42 CAGE-NUTS
20.5" x 82.6" x 26" - 42"

PROJECT:
G:\SWDwgs\Racks\DoubleRck\

FILE:
DbIRck19x77_26_42CageNuts_3215-005_Eng

APPROVED BY:
T.M.

PART NO.:
RKDKIC-194426-42

DRAWING NO.:
3215-005

REV.:

SCALE:
1:16

DATE:
2021-12-16

SHEET:
2 / 2