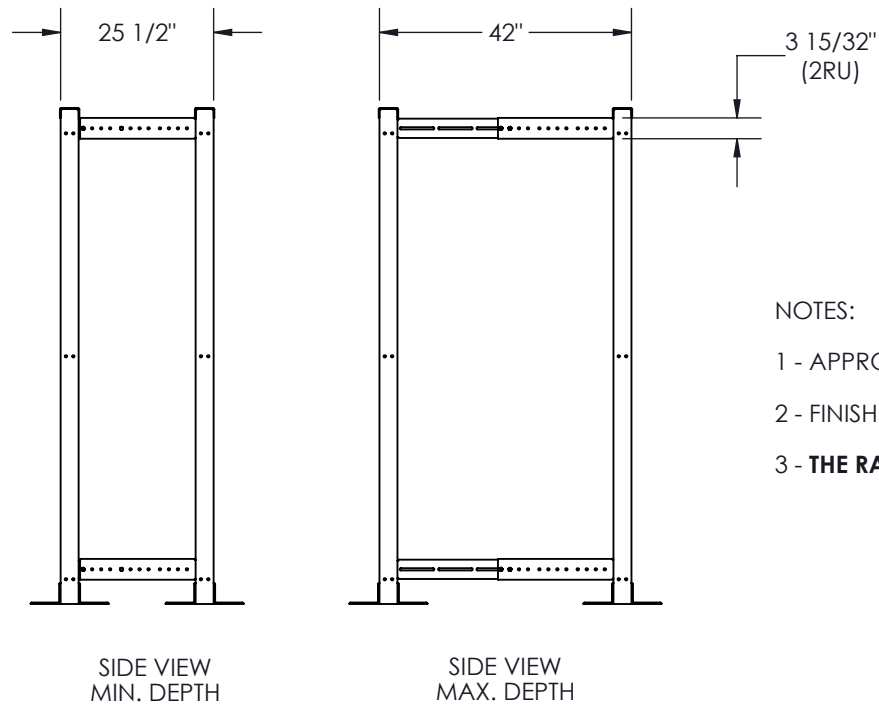
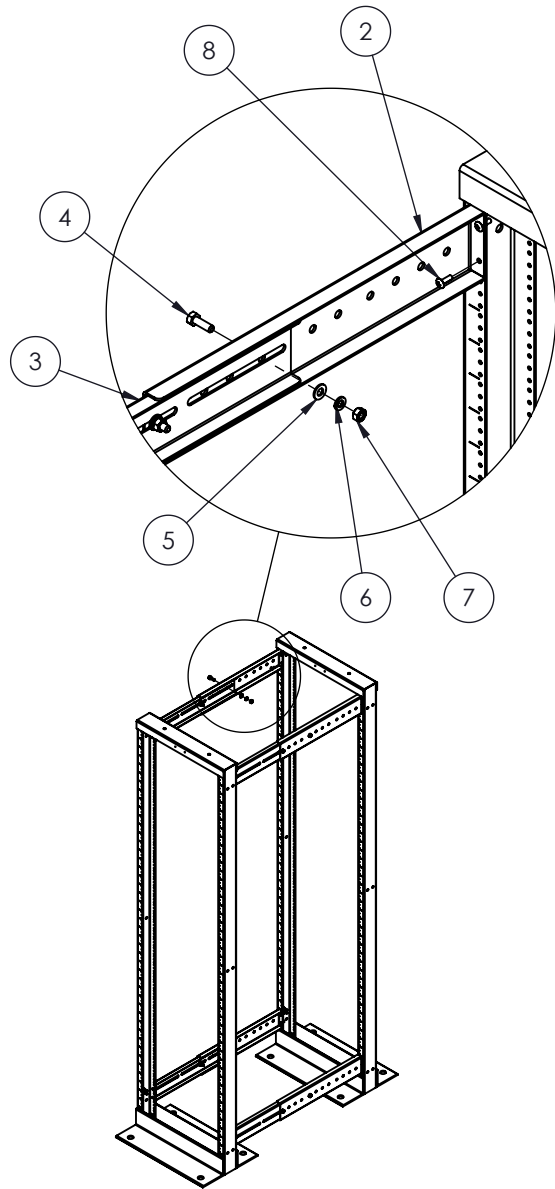


NO.	DWG/SUPPLIER	CFG/SUPPLIER NO.	DESCRIPTION	QTY
1	1305026927	Default	SERIES 710 - 44RU (19 x 77) TAPPED 2 SIDES	2
2	3167-002	Default	EXTERNAL BRACKET	4
3	3177-003	Default	INTERNAL BRACKET	4
4	FASTENAL	0.3125-18 x 1.000	HEX BOLT 5/16-18 x 1	8
5	TECHNI-VIS	.313	FLAT WASHER 5/16"	8
6	TECHNI-VIS	*.313	SPLIT LOCK WASHER 5/16"	8
7	FASTENAL	.313-18	HEX. NUT 5/16-18	8
8	VISQUÉ	10-32 x 0.625	TRUSS HEAD SCREW QUADREX 10-32 x 3/4	16



NOTES:

- 1 - APPROX. WEIGHT: 21.9 LB
- 2 - FINISH: TEXTURÉ POWDER COAT
- 3 - **THE RACKS ARE NOT INCLUDED**



PROPRIETARY AND CONFIDENTIAL
 THE INFORMATION CONTAINED IN THIS DRAWING IS THE SOLE PROPERTY OF ELECTRON METAL A.I.G. INC. ANY REPRODUCTION IN PART OR AS A WHOLE WITHOUT THE WRITTEN PERMISSION OF A.I.G. ELECTRON METAL INC IS PROHIBITED.

APPROVED BY:
 T.M.

DRAWN BY: E.D.	Title: 2 POST RACK TO 4 POST RACK CONVERSION KIT			
CHECKED BY: E.D.	PROJECT: G:\SWDwgs\Racks\Ser710Racks\SupportRatelierDouble\			FILE: EnsembleFixations2Rcks_3167-001_Eng
PART NO.: RKDKCV-250242	DRAWING NO.: 3167-001	REV.: A	SCALE: 1:32	DATE: 2021-05-04
				SHEET: 1 / 1