

NO.	NOTE	DESCRIPTION	QTY
1	2271-002	ZONE 4 FRAME 48RU (19 x 84) x 36	1
2	1093 - (84")	MOUNTING RAIL (1.25") TAPPED 10-32	4

NOTES:

- 1 - CERTIFIED COMPLIANT TO TELCORDIA GR-63-CORE SECTION 4.4.1.
- 2 - SEISMIC CAPACITY: 959 LB.
- 3 - STATIC CAPACITY: 3000 LB.
- 4 - APPROX. WEIGHT: 195 LB.
- 5 - INCLUDES 100 SCREWS 10-32 x 5/8.
- 6 - RU MARKINGS ON MOUNTING RAILS.
- 7 - CONSTRUCTION: FRAME MADE OF WELDED 11 GA. (.120") COMPONENTS.
- 8 - GROUND STUDS INSIDE TOP REAR.
- 9 - FINISH: TEXTURED POWDER COAT.

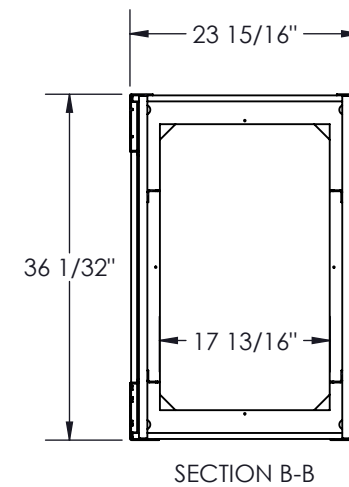
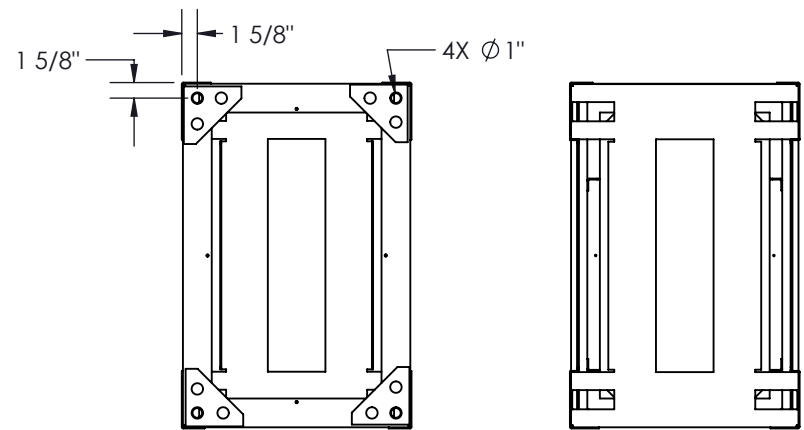
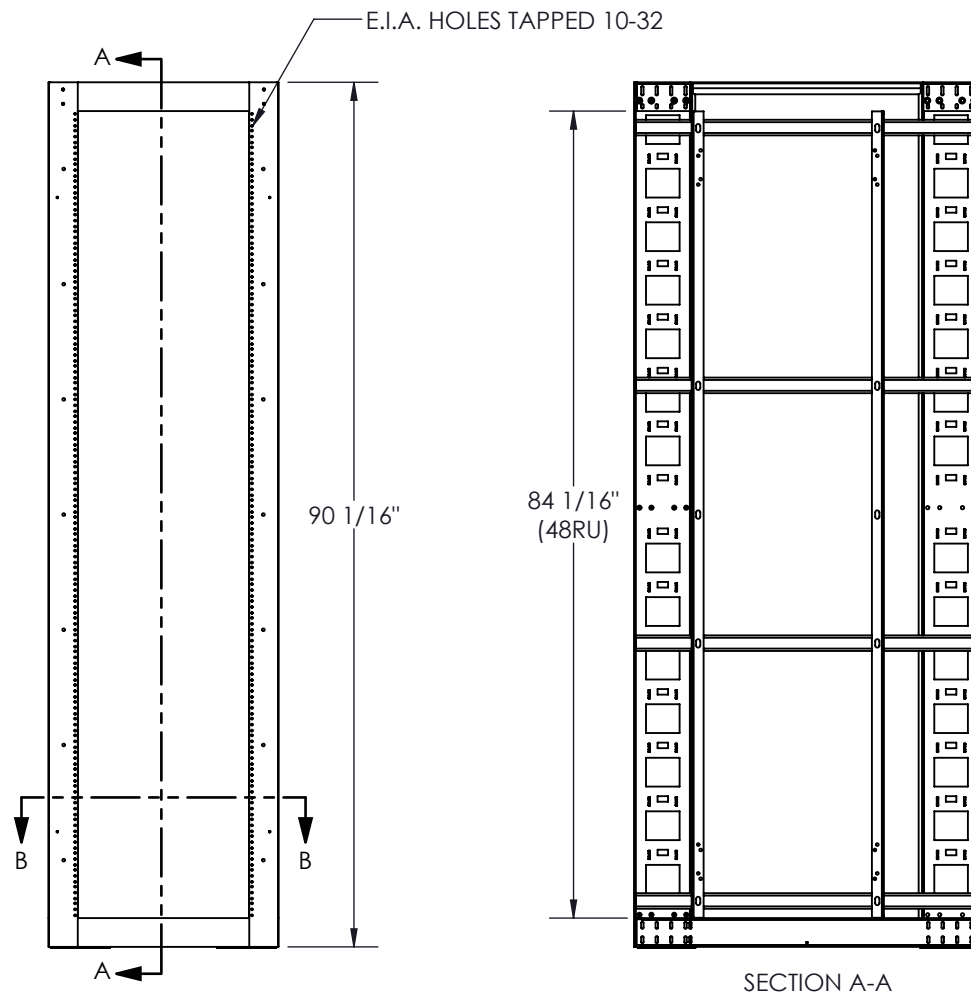
RÉV.	DESCRIPTION	DATE	APPR.	INV.
RÉVISIONS				

**Electron METAL** PROUDLY MANUFACTURED IN CANADA.

**PROPRIETARY AND CONFIDENTIAL**  
 THE INFORMATION CONTAINED IN THIS DRAWING IS THE SOLE PROPERTY OF A.I.G. ELECTRON METAL INC. ANY REPRODUCTION IN PART OR AS A WHOLE WITHOUT THE WRITTEN PERMISSION OF A.I.G. ELECTRON METAL INC IS PROHIBITED.

APPROVED BY:  
T.M.

DRAWN BY: E.D.	Title: 4 POST RACK 48RU (19 x 84) x 36 ZONE 4			
CHECKED BY: E.D.				
PROJECT: G:\SWDwgs\Racks\Zone4_4PostRack\Ensembles\	FILE: Tarauder19x84x36_2271-001_Eng			
PART NO: RK4KIT-194836	DRAWING NO: 2271-001	REV.: -	SCALE: 1:16	DATE: 2018-04-12
				SHEET: 1 / 2



**Electron METAL** PROUDLY MANUFACTURED IN CANADA.

**PROPRIETARY AND CONFIDENTIAL**  
 THE INFORMATION CONTAINED IN THIS DRAWING IS THE SOLE PROPERTY OF A.I.G. ELECTRON METAL INC. ANY REPRODUCTION IN PART OR AS A WHOLE WITHOUT THE WRITTEN PERMISSION OF A.I.G. ELECTRON METAL INC IS PROHIBITED.

APPROVED BY:  
 T.M.

DRAWN BY:  
 E.D.  
 CHECKED BY:  
 E.D.

Title:  
 4 POST RACK 48RU (19 x 84) x 36 ZONE 4

PROJECT:  
 G:\SWDwgs\Racks\Zone4\_4PostRack\Ensembles\

FILE:  
 Tarauder19x84x36\_2271-001\_Eng

PART NO:  
 RK4KIT-194836

DRAWING NO:  
 2271-001

REV: -

SCALE:  
 1:20

DATE:  
 2018-04-12

SHEET:  
 2 / 2