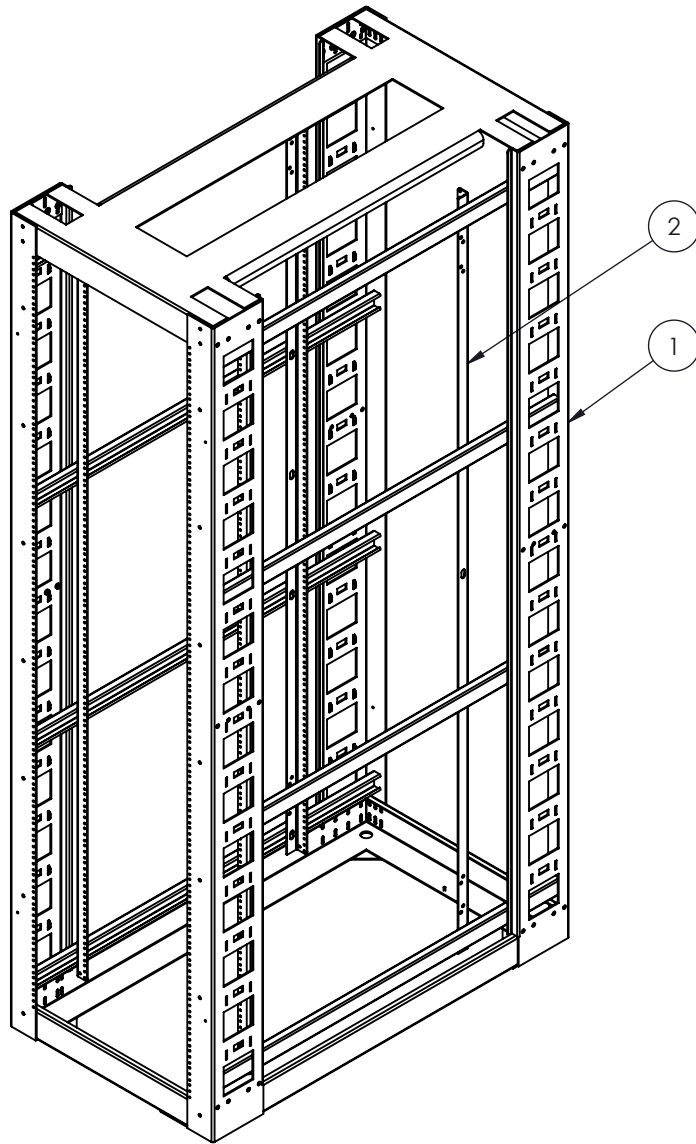


| NO. | NOTE          | DESCRIPTION                        | QTY |
|-----|---------------|------------------------------------|-----|
| 1   | 2276-002      | ZONE 4 FRAME 44RU (19 x 77) x 42   | 1   |
| 2   | 1093 - (.77") | MOUNTING RAIL (1.25") TAPPED 10-32 | 4   |



NOTES:

- 1 - CERTIFIED COMPLIANT TO TELCORDIA GR-63-CORE SECTION 4.4.1.
- 2 - SEISMIC CAPACITY: 960 LB.
- 3 - STATIC CAPACITY: 3000 LB.
- 4 - APPROX. WEIGHT: 194 LB.
- 5 - INCLUDES 100 SCREWS 10-32 x 5/8.
- 6 - RU MARKINGS ON MOUNTING RAILS.
- 7 - CONSTRUCTION: FRAME MADE OF WELDED 11 GA. (.120") COMPONENTS.
- 8 - GROUND STUDS INSIDE TOP REAR.
- 9 - FINISH: TEXTURED POWDER COAT.

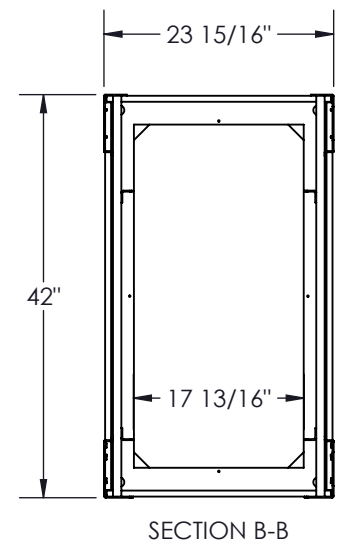
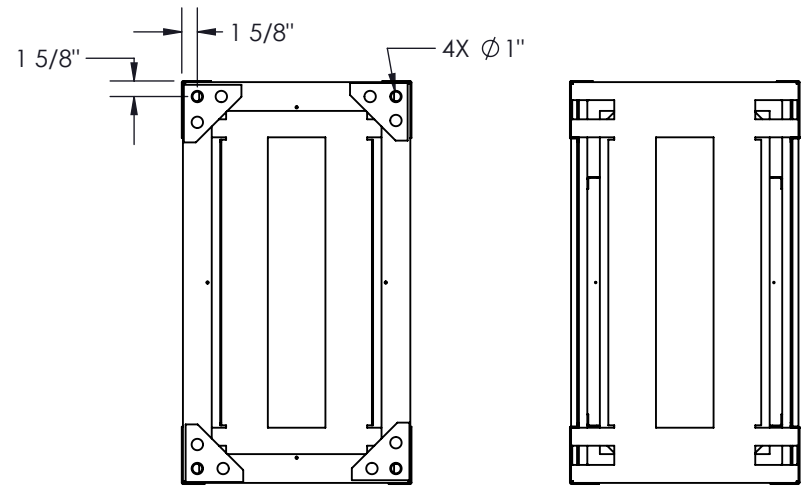
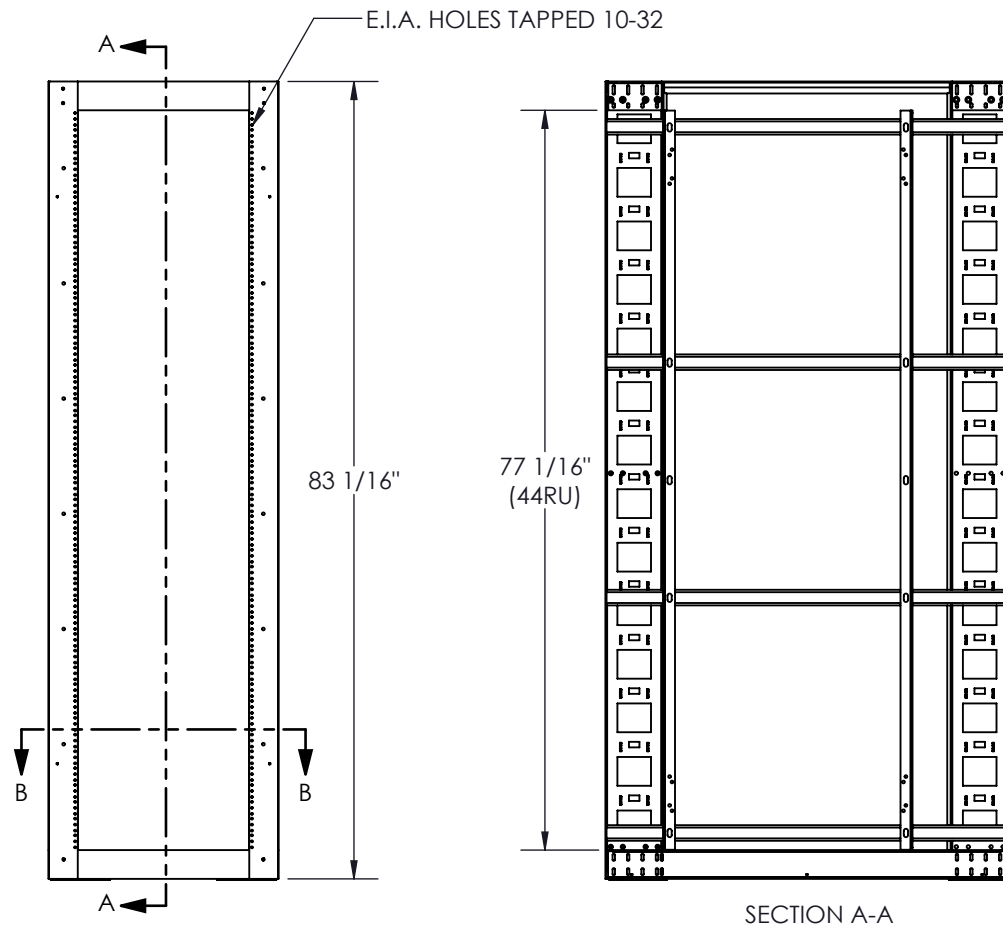
| RÉV.      | DESCRIPTION | DATE | APPR. | INV. |
|-----------|-------------|------|-------|------|
| RÉVISIONS |             |      |       |      |

**Electron METAL** PROUDLY MANUFACTURED IN CANADA.

**PROPRIETARY AND CONFIDENTIAL**  
 THE INFORMATION CONTAINED IN THIS DRAWING IS THE SOLE PROPERTY OF A.I.G. ELECTRON METAL INC. ANY REPRODUCTION IN PART OR AS A WHOLE WITHOUT THE WRITTEN PERMISSION OF A.I.G. ELECTRON METAL INC IS PROHIBITED.

APPROVED BY:  
T.M.

|  |  |            |                |                     |
|--|--|------------|----------------|---------------------|
| DRAWN BY:<br>E.D.                                      | Title:<br>4 POST RACK 44RU (19 x 77) x 42 ZONE 4 |            |                |                     |
| CHECKED BY:<br>E.D.                                    |  |            |                |                     |
| PROJECT:<br>G:\SWDwgs\Racks\Zone4_4PostRack\Ensembles\ | FILE:<br>Tarauder19x77x42_2276-001_Eng           |            |                |                     |
| PART NO:<br>RK4KIT-194442                              | DRAWING NO:<br>2276-001                          | REV.:<br>- | SCALE:<br>1:16 | DATE:<br>2018-04-13 |
|  |  |            |                | SHEET:<br>1 / 2     |



**Electron METAL** PROUDLY MANUFACTURED IN CANADA.

PROPRIETARY AND CONFIDENTIAL  
 THE INFORMATION CONTAINED IN THIS DRAWING IS THE SOLE PROPERTY OF A.I.G. ELECTRON METAL INC. ANY REPRODUCTION IN PART OR AS A WHOLE WITHOUT THE WRITTEN PERMISSION OF A.I.G. ELECTRON METAL INC IS PROHIBITED.

APPROVED BY:  
 T.M.

|                           |  |                         |            |  |                     |
|---------------------------|--|-------------------------|------------|--|---------------------|
| DRAWN BY:<br>E.D.         | Title:<br>4 POST RACK 44RU (19 x 77) x 42 ZONE 4       |                         |            |  |                     |
| CHECKED BY:<br>E.D.       | PROJECT:<br>G:\SWDwgs\Racks\Zone4_4PostRack\Ensembles\ |                         |            | FILE:<br>Tarauder19x77x42_2276-001_Eng |                     |
| PART NO:<br>RK4KIT-194442 |  | DRAWING NO:<br>2276-001 | REV.:<br>- | SCALE:<br>1:20                         | DATE:<br>2018-04-13 |
|                           |  |                         |            |  | SHEET:<br>2 / 2     |