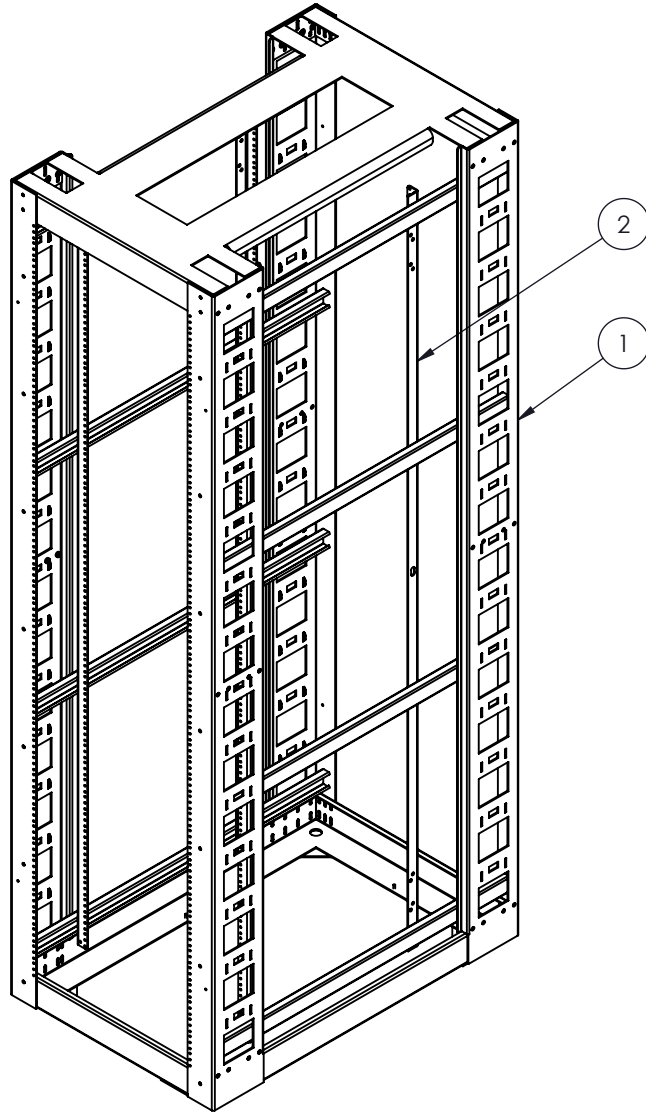


NO.	NOTE	DESCRIPTION	QTY
1	2275-002	ZONE 4 FRAME 44RU (19 x 77) x 36	1
2	1093 - (.77")	MOUNTING RAIL (1.25") TAPPED 10-32	4



NOTES:

- 1 - CERTIFIED COMPLIANT TO TELCORDIA GR-63-CORE SECTION 4.4.1.
- 2 - SEISMIC CAPACITY: 970 LB.
- 3 - STATIC CAPACITY: 3000 LB.
- 4 - APPROX. WEIGHT: 184 LB.
- 5 - INCLUDES 100 SCREWS 10-32 x 5/8.
- 6 - RU MARKINGS ON MOUNTING RAILS.
- 7 - CONSTRUCTION: FRAME MADE OF WELDED 11 GA. (.120") COMPONENTS.
- 8 - GROUND STUDS INSIDE TOP REAR.
- 9 - FINISH: TEXTURED POWDER COAT.

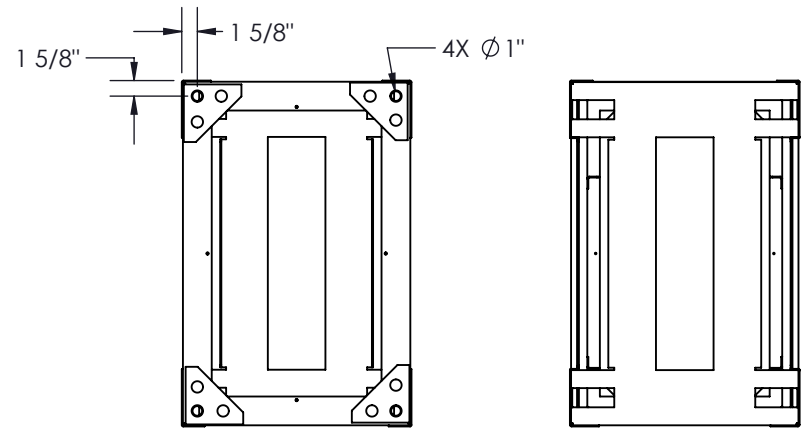
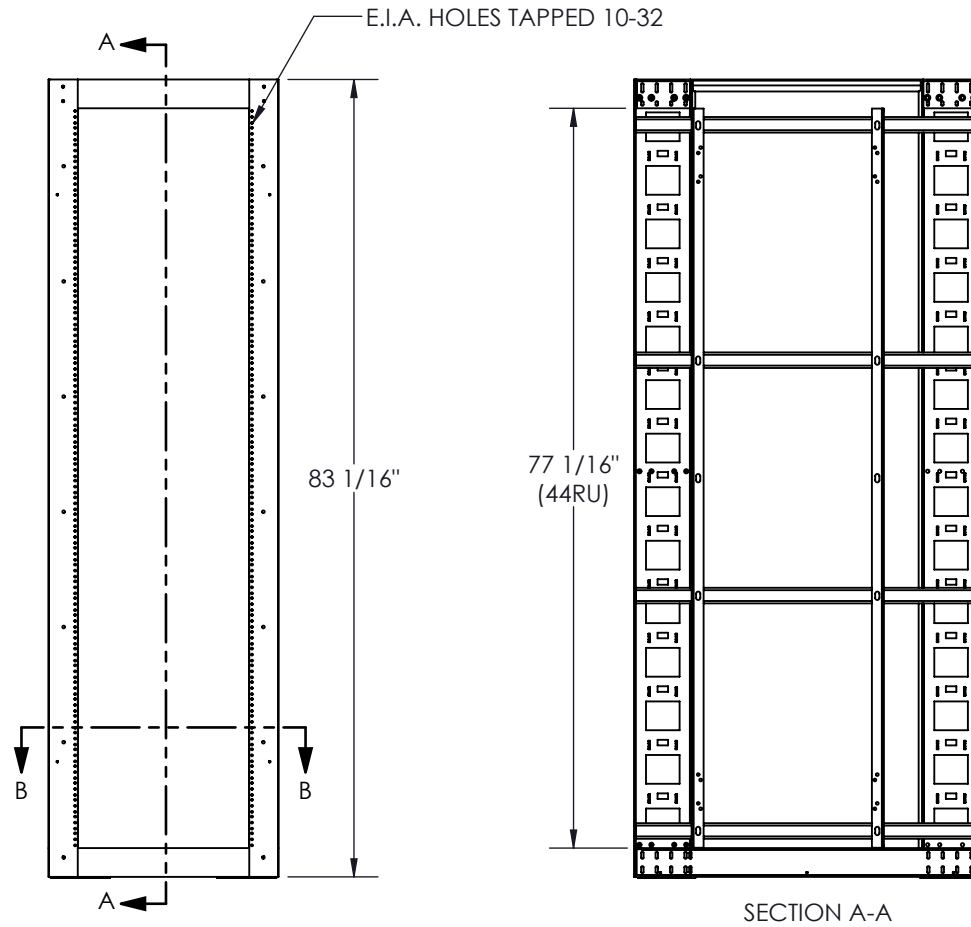
RÉV.	DESCRIPTION	DATE	APPR.	INV.
RÉVISIONS				



**PROPRIETARY AND CONFIDENTIAL**  
 THE INFORMATION CONTAINED IN THIS DRAWING IS THE SOLE PROPERTY OF A.I.G. ELECTRON METAL INC. ANY REPRODUCTION IN PART OR AS A WHOLE WITHOUT THE WRITTEN PERMISSION OF A.I.G. ELECTRON METAL INC IS PROHIBITED.

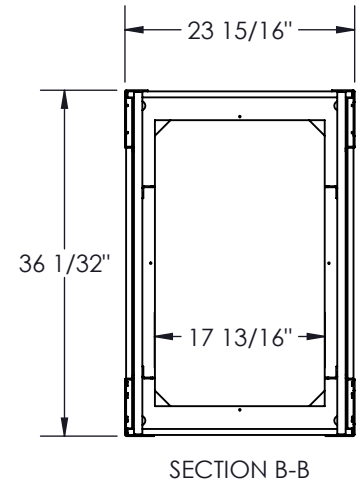
APPROVED BY:  
**T.M.**

DRAWN BY: E.D.	Title: <b>4 POST RACK 44RU (19 x 77) x 36 ZONE 4</b>			
CHECKED BY: E.D.				
PROJECT: G:\SWDwgs\Racks\Zone4_4PostRack\Ensembles\	FILE: Tarauder19x77x36_2275-001_Eng			
PART NO: RK4KIT-194436	DRAWING NO: 2275-001	REV.: -	SCALE: 1:16	DATE: 2018-04-13
				SHEET: 1 / 2



BOTTOM VIEW

TOP VIEW



SECTION B-B



**PROPRIETARY AND CONFIDENTIAL**  
 THE INFORMATION CONTAINED IN THIS DRAWING IS THE SOLE PROPERTY OF A.I.G. ELECTRON METAL INC. ANY REPRODUCTION IN PART OR AS A WHOLE WITHOUT THE WRITTEN PERMISSION OF A.I.G. ELECTRON METAL INC IS PROHIBITED.

APPROVED BY:  
**T.M.**

DRAWN BY: E.D.		Title: 4 POST RACK 44RU (19 x 77) x 36 ZONE 4			
CHECKED BY: E.D.		PROJECT: G:\SWDwgs\Racks\Zone4_4PostRack\Ensembles\		FILE: Tarauder19x77x36_2275-001_Eng	
PART NO: RK4KIT-194436		DRAWING NO: 2275-001	REV.: -	SCALE: 1:20	DATE: 2018-04-13
					SHEET: 2 / 2