

NO.	NOTE	DESCRIPTION	QTY
1	2274-002	ZONE 4 FRAME 48RU (19 x 84) x 42	1
2	1305021797 - (84")	MOUNTING RAIL 1.25" CAGE-NUTS	4

NOTES:

- 1 - CERTIFIED COMPLIANT TO TELCORDIA GR-63-CORE SECTION 4.4.1.
- 2 - SEISMIC CAPACITY: 951 LB.
- 3 - STATIC CAPACITY: 3000 LB.
- 4 - APPROX. WEIGHT: 203 LB.
- 5 - INCLUDES 100 SCREWS 10-32 x 5/8 AND 100 CAGE-NUTS 10-32.
- 6 - RU MARKINGS ON MOUNTING RAILS.
- 7 - CONSTRUCTION: FRAME MADE OF WELDED 11 GA. (.120") COMPONENTS.
- 8 - GROUND STUDS INSIDE TOP REAR.
- 9 - FINISH: TEXTURED POWDER COAT.

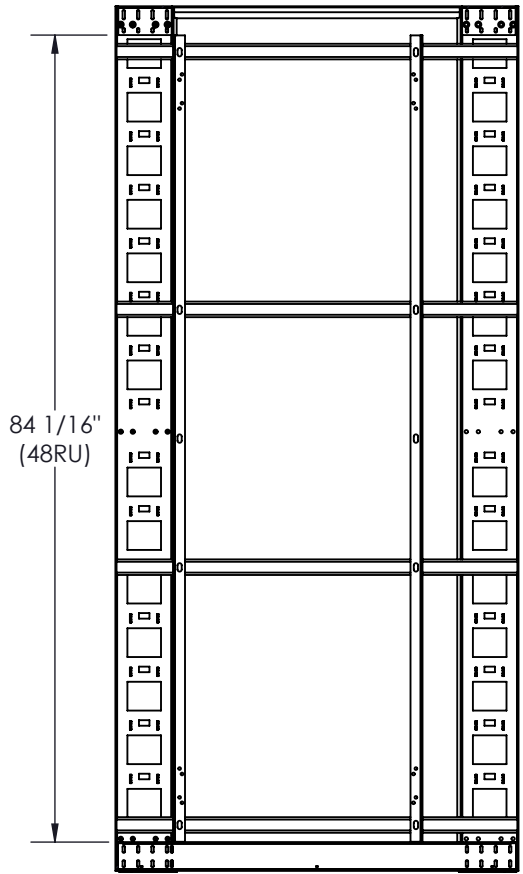
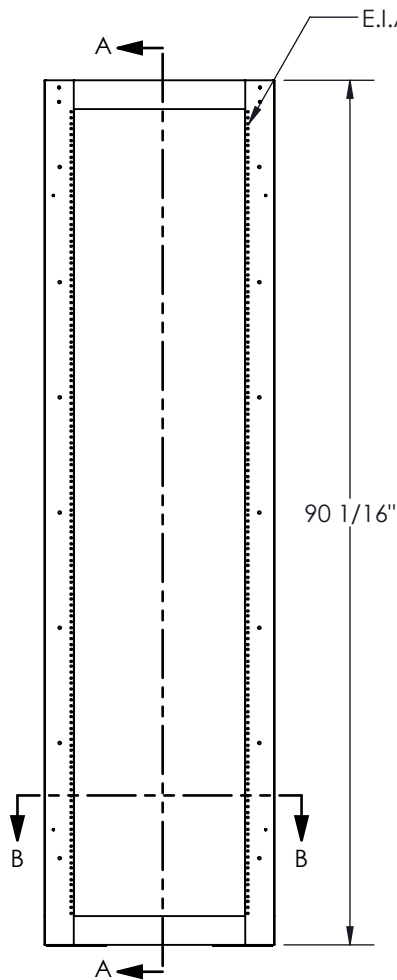
RÉV.	DESCRIPTION	DATE	APPR.	INV.
RÉVISIONS				

Electron METAL PROUDLY MANUFACTURED IN CANADA.

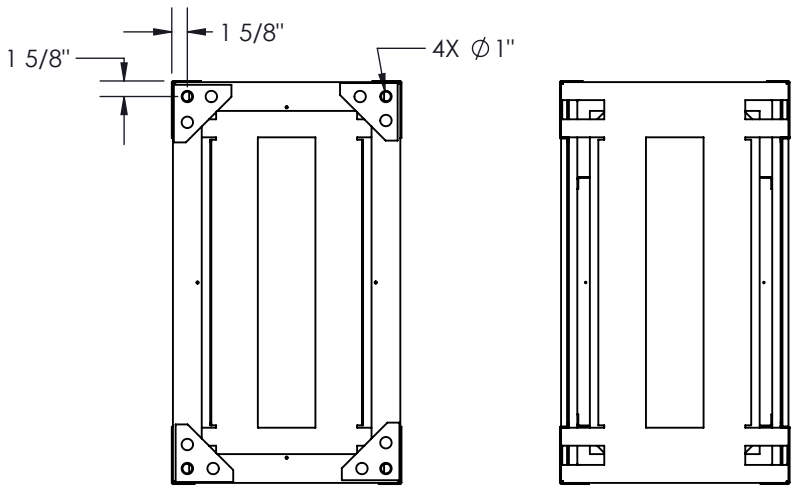
PROPRIETARY AND CONFIDENTIAL
 THE INFORMATION CONTAINED IN THIS DRAWING IS THE SOLE PROPERTY OF A.I.G. ELECTRON METAL INC. ANY REPRODUCTION IN PART OR AS A WHOLE WITHOUT THE WRITTEN PERMISSION OF A.I.G. ELECTRON METAL INC IS PROHIBITED.

APPROVED BY:
T.M.

DRAWN BY: E.D.	Title: 4 POST RACK 48RU (19 x 84) x 42 ZONE 4			
CHECKED BY: E.D.	PROJECT: G:\SWDwgs\Racks\Zone4_4PostRack\Ensembles\		FILE: CageNuts19x84x42_2278-001_Eng	
PART NO: RK4KIC-194842	DRAWING NO: 2278-001	REV.: -	SCALE: 1:16	DATE: 2018-04-13
				SHEET: 1 / 2

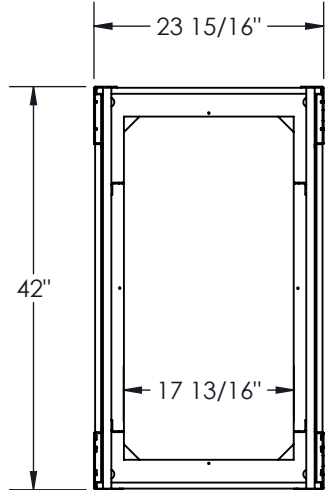


SECTION A-A



BOTTOM VIEW

TOP VIEW



SECTION B-B



PROPRIETARY AND CONFIDENTIAL
THE INFORMATION CONTAINED IN THIS
DRAWING IS THE SOLE PROPERTY OF
A.I.G. ELECTRON METAL INC. ANY
REPRODUCTION IN PART OR AS A WHOLE
WITHOUT THE WRITTEN PERMISSION OF
A.I.G. ELECTRON METAL INC IS PROHIBITED.

APPROVED BY:
T.M.

DRAWN BY: E.D.		Title: 4 POST RACK 48RU (19 x 84) x 42 ZONE 4			
CHECKED BY: E.D.		PROJECT: G:\SWDwgs\Racks\Zone4_4PostRack\Ensembles\		FILE: CageNuts19x84x42_2278-001_Eng	
PART NO: RK4KIC-194842		DRAWING NO: 2278-001	REV.: -	SCALE: 1:20	DATE: 2018-04-13
					SHEET: 2 / 2