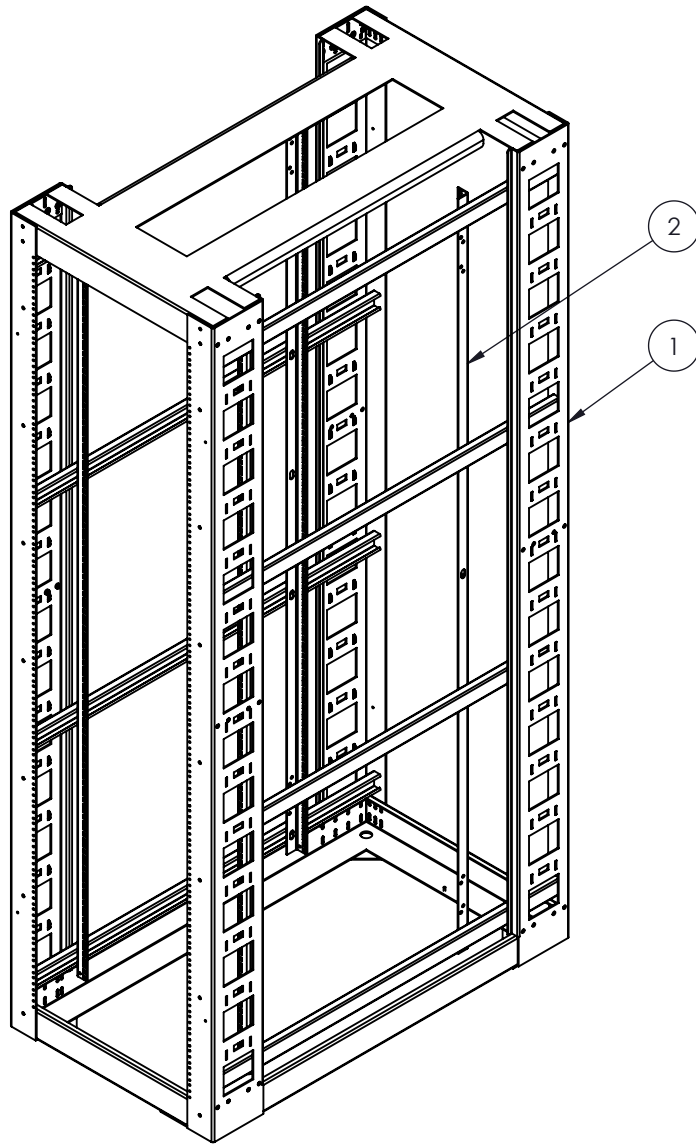


NO.	NOTE	DESCRIPTION	QTY
1	2276-002	ZONE 4 FRAME 44RU (19 x 77) x 42	1
2	1305021797 - (77")	MOUNTING RAIL 1.25" CAGE-NUTS	4



NOTES:

- 1 - CERTIFIED COMPLIANT TO TELCORDIA GR-63-CORE SECTION 4.4.1.
- 2 - SEISMIC CAPACITY: 962 LB.
- 3 - STATIC CAPACITY: 3000 LB.
- 4 - APPROX. WEIGHT: 192 LB.
- 5 - INCLUDES 100 SCREWS 10-32 x 5/8 AND 100 CAGE-NUTS 10-32.
- 6 - RU MARKINGS ON MOUNTING RAILS.
- 7 - CONSTRUCTION: FRAME MADE OF WELDED 11 GA. (.120") COMPONENTS.
- 8 - GROUND STUDS INSIDE TOP REAR.
- 9 - FINISH: TEXTURED POWDER COAT.

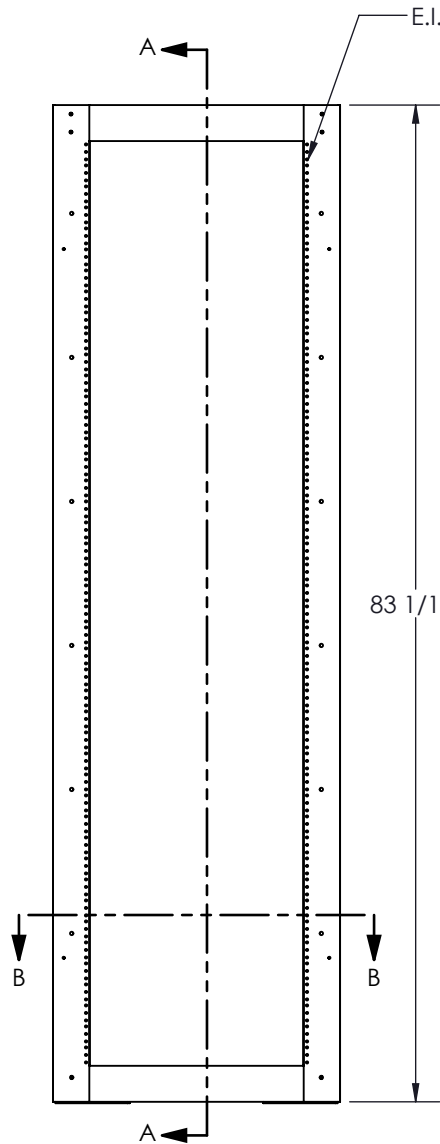
RÉV.	DESCRIPTION	DATE	APPR.	INV.
RÉVISIONS				



**PROPRIETARY AND CONFIDENTIAL**  
 THE INFORMATION CONTAINED IN THIS DRAWING IS THE SOLE PROPERTY OF A.I.G. ELECTRON METAL INC. ANY REPRODUCTION IN PART OR AS A WHOLE WITHOUT THE WRITTEN PERMISSION OF A.I.G. ELECTRON METAL INC IS PROHIBITED.

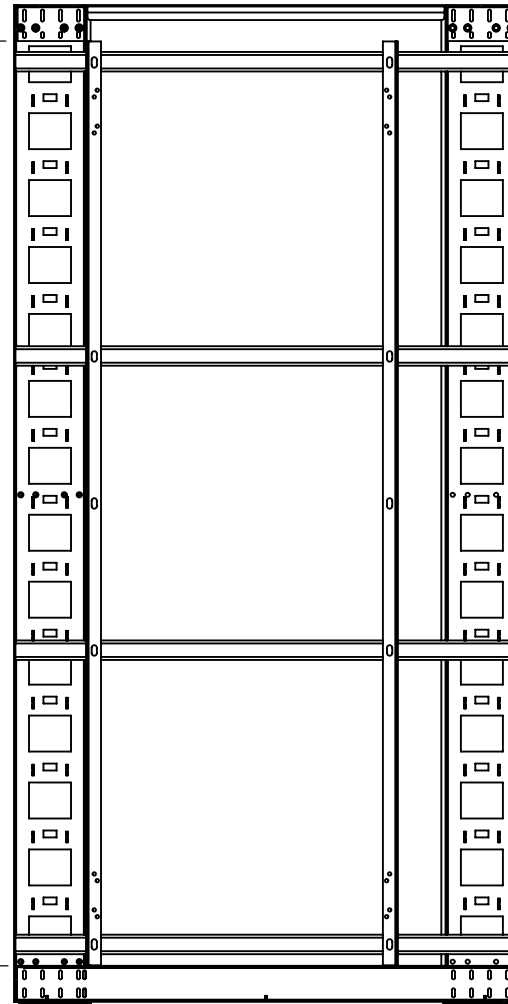
APPROVED BY:  
 T.M.

DRAWN BY: E.D.	Title: 4 POST RACK 44RU (19 x 77) x 42 ZONE 4			
CHECKED BY: E.D.				
PROJECT: G:\SWDwgs\Racks\Zone4_4PostRack\Ensembles\	FILE: CageNuts19x77x42_2280-001_Eng			
PART NO: RK4KIC-194442	DRAWING NO: 2280-001	REV.: -	SCALE: 1:16	DATE: 2018-04-13
				SHEET: 1 / 2

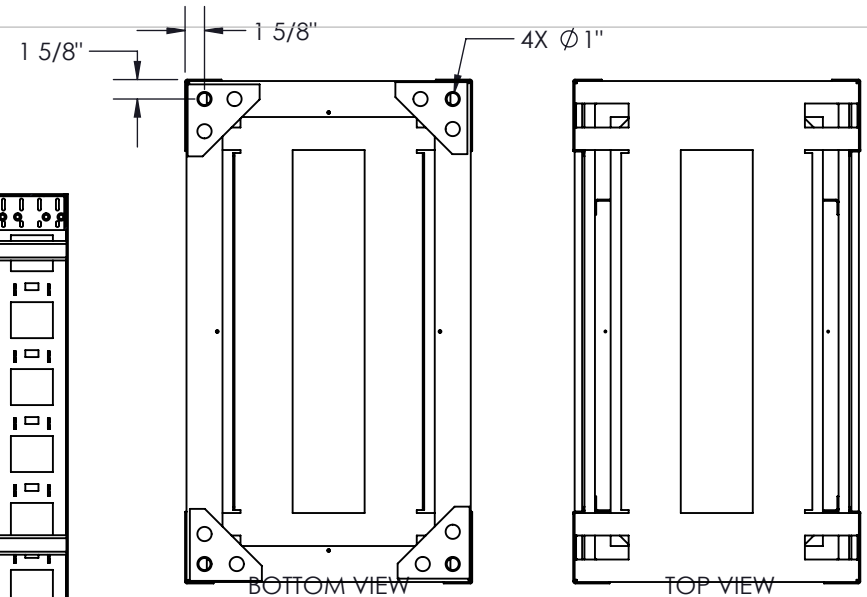


E.I.A. HOLES TAPPED 10-32

83 1/16" 77 1/16" (44RU)

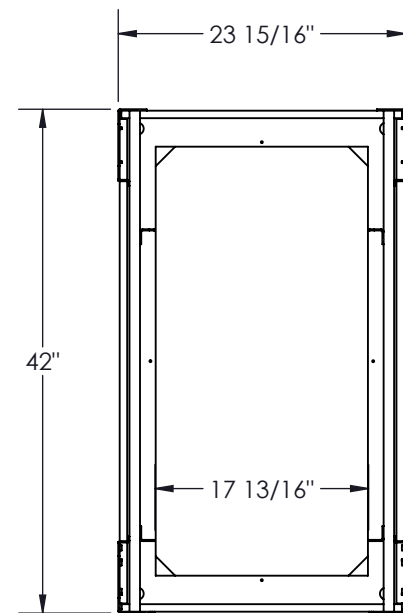


SECTION A-A



BOTTOM VIEW

TOP VIEW



SECTION B-B

**Electron METAL** PROUDLY MANUFACTURED IN CANADA.

PROPRIETARY AND CONFIDENTIAL  
 THE INFORMATION CONTAINED IN THIS DRAWING IS THE SOLE PROPERTY OF A.I.G. ELECTRON METAL INC. ANY REPRODUCTION IN PART OR AS A WHOLE WITHOUT THE WRITTEN PERMISSION OF A.I.G. ELECTRON METAL INC IS PROHIBITED.

APPROVED BY:  
 T.M.

DRAWN BY:  
 E.D.  
 CHECKED BY:  
 E.D.

Title:  
 4 POST RACK 44RU (19 x 77) x 42 ZONE 4

PROJECT:  
 G:\SWDwgs\Racks\Zone4\_4PostRack\Ensembles\

FILE:  
 CageNuts19x77x42\_2280-001\_Eng

PART NO:  
 RK4KIC-194442

DRAWING NO:  
 2280-001

REV.:  
 -

SCALE:  
 1:16

DATE:  
 2018-04-13

SHEET:  
 2 / 2