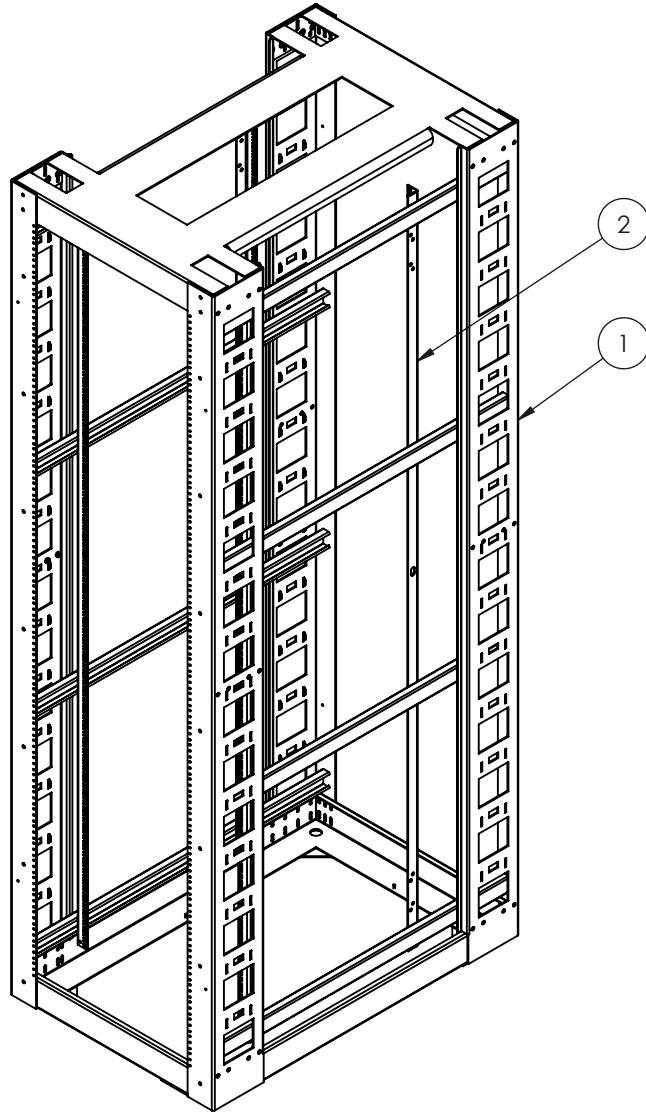


NO.	NOTE	DESCRIPTION	QTY
1	2275-002	ZONE 4 FRAME 44RU (19 x 77) x 36	1
2	1305021797 - (77")	MOUNTING RAIL 1.25" CAGE-NUTS	4



NOTES:

- 1 - CERTIFIED COMPLIANT TO TELCORDIA GR-63-CORE SECTION 4.4.1.
- 2 - SEISMIC CAPACITY: 972 LB.
- 3 - STATIC CAPACITY: 3000 LB.
- 4 - APPROX. WEIGHT: 182 LB.
- 5 - INCLUDES 100 SCREWS 10-32 x 5/8 AND 100 CAGE-NUTS 10-32.
- 6 - RU MARKINGS ON MOUNTING RAILS.
- 7 - CONSTRUCTION: FRAME MADE OF WELDED 11 GA. (.120") COMPONENTS.
- 8 - GROUND STUDS INSIDE TOP REAR.
- 9 - FINISH: TEXTURED POWDER COAT.

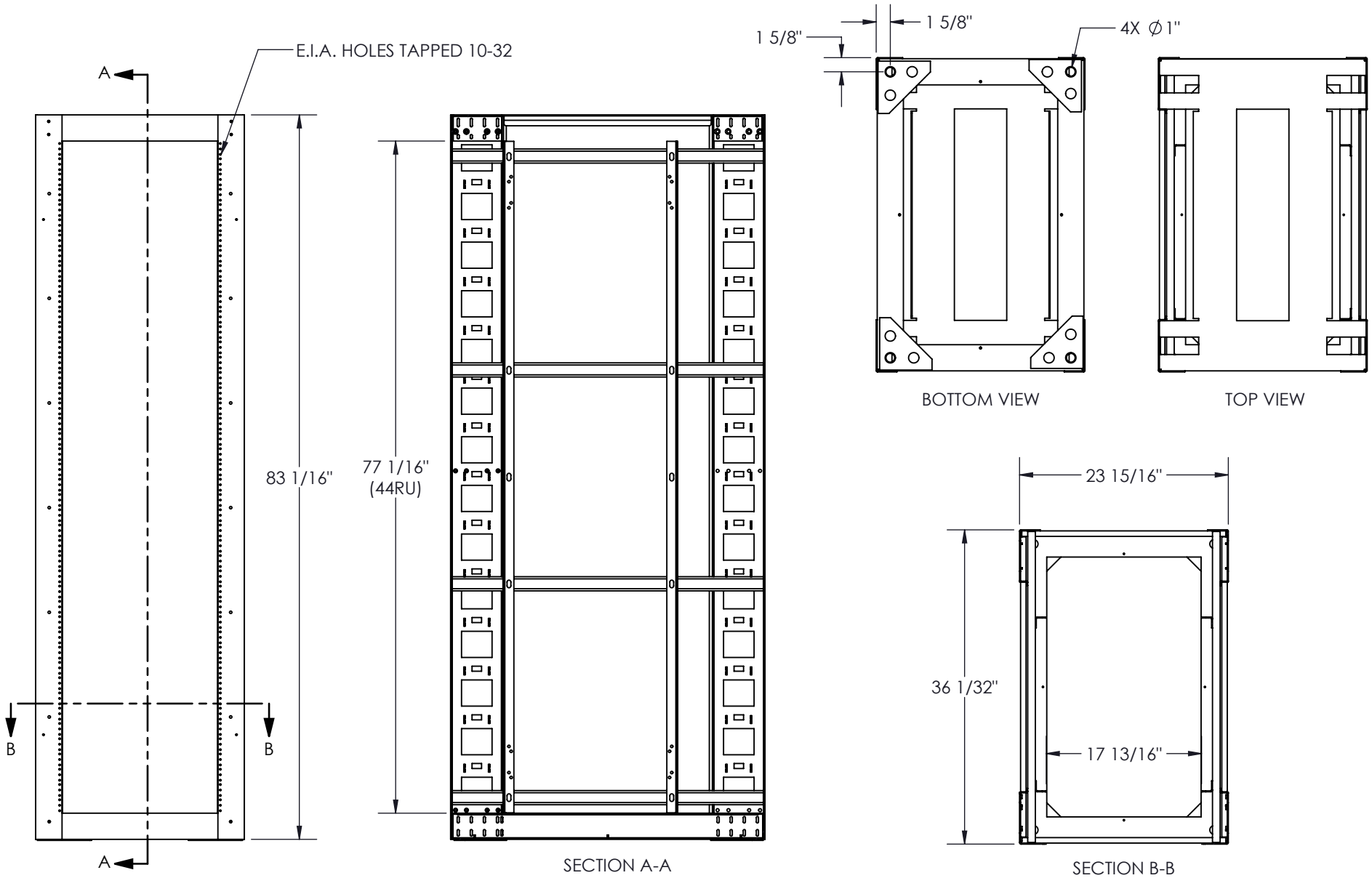
RÉV.	DESCRIPTION	DATE	APPR.	INV.
RÉVISIONS				



PROPRIETARY AND CONFIDENTIAL
 THE INFORMATION CONTAINED IN THIS DRAWING IS THE SOLE PROPERTY OF A.I.G. ELECTRON METAL INC. ANY REPRODUCTION IN PART OR AS A WHOLE WITHOUT THE WRITTEN PERMISSION OF A.I.G. ELECTRON METAL INC IS PROHIBITED.

APPROVED BY:
T.M.

DRAWN BY: E.D.	Title: 4 POST RACK 44RU (19 x 77) x 36 ZONE 4			
CHECKED BY: E.D.				
PROJECT: G:\SWDwgs\Racks\Zone4_4PostRack\Ensembles\	FILE: CageNuts19x77x36_2279-001_Eng			
PART NO: RK4KIC-194436	DRAWING NO: 2279-001	REV.: -	SCALE: 1:16	DATE: 2018-04-13
			SHEET: 1 / 2	



Electron METAL PROUDLY MANUFACTURED IN CANADA.

PROPRIETARY AND CONFIDENTIAL
 THE INFORMATION CONTAINED IN THIS DRAWING IS THE SOLE PROPERTY OF A.I.G. ELECTRON METAL INC. ANY REPRODUCTION IN PART OR AS A WHOLE WITHOUT THE WRITTEN PERMISSION OF A.I.G. ELECTRON METAL INC IS PROHIBITED.

APPROVED BY:
 T.M.

DRAWN BY: E.D.	Title: 4 POST RACK 44RU (19 x 77) x 36 ZONE 4				
CHECKED BY: E.D.					
PROJECT: G:\SWDwgs\Racks\Zone4_4PostRack\Ensembles\	FILE: CageNuts19x77x36_2279-001_Eng				
PART NO: RK4KIC-194436	DRAWING NO: 2279-001	REV.: -	SCALE: 1:16	DATE: 2018-04-13	SHEET: 2 / 2