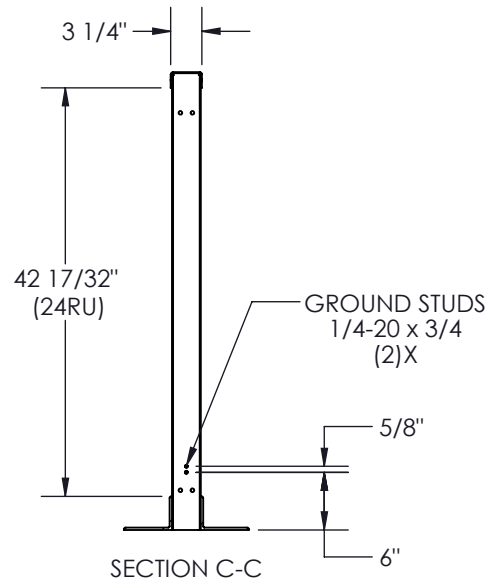
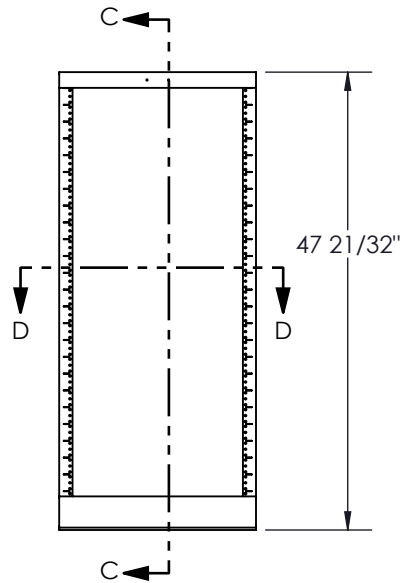
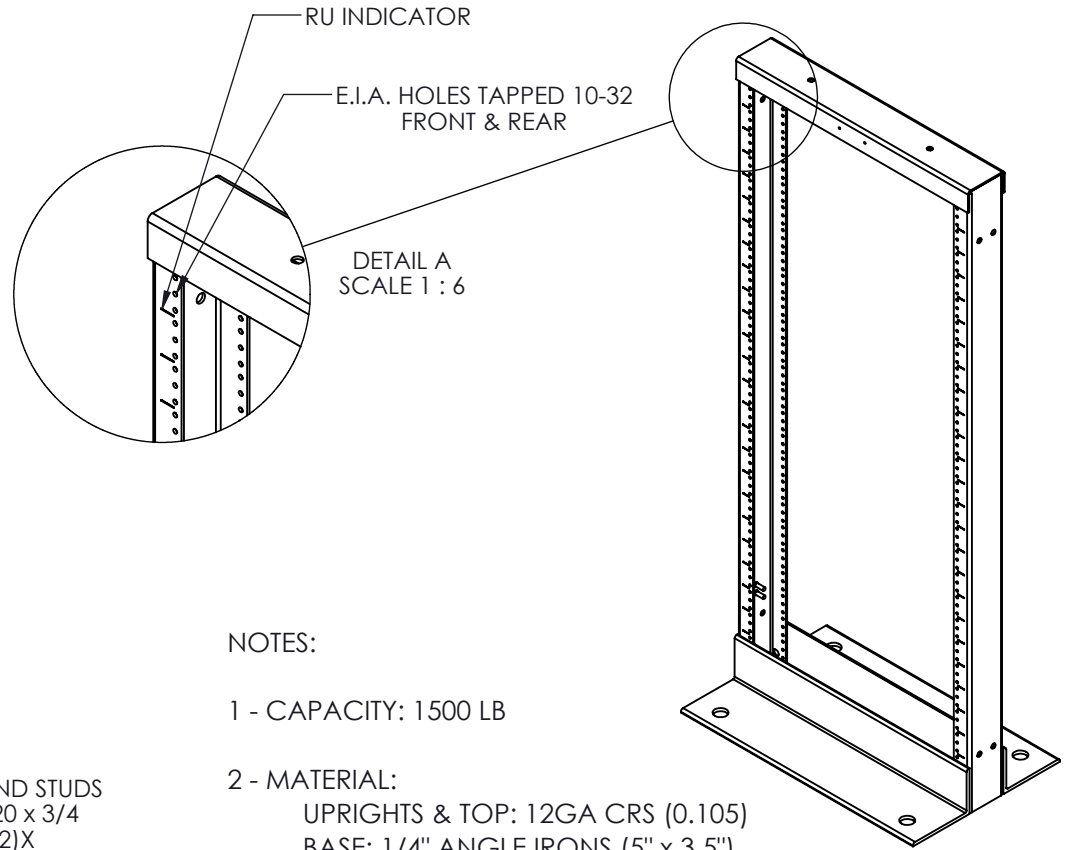


SECTION D-D  
SCALE 1 : 12



SECTION C-C

NOTES:

- 1 - CAPACITY: 1500 LB
- 2 - MATERIAL:  
UPRIGHTS & TOP: 12GA CRS (0.105)  
BASE: 1/4" ANGLE IRONS (5" x 3.5")
- 3 - FINISH: TEXTURED POWDER COAT
- 4 - APPROX. WEIGHT: 42 LBS.
- 5 - INCLUDES 24 TRUSS HEAD SCREWS  
10-32 X 5/8 BLACK

REV.	DESCRIPTION	DATE	APPR.	INV.
RÉVISIONS				

COLOUR	PT# SUFFIX
BLACK	-BK
WHITE	-WH
GREY	-GY



**PROPRIETARY AND CONFIDENTIAL**  
THE INFORMATION CONTAINED IN THIS DRAWING IS THE SOLE PROPERTY OF ELECTRON METAL A.I.G. INC. ANY REPRODUCTION IN PART OR AS A WHOLE WITHOUT THE WRITTEN PERMISSION OF A.I.G. ELECTRON METAL INC IS PROHIBITED.

APPROVED BY:  
E.D.

DRAWN BY:  
R.B.  
CHECKED BY:  
R.B.

Title:  
SERIES 710 RACK 24RU (19 x 42)  
20.5 x 47.7 x 13

FILE:  
Rack710\_2Sides19x42\_2329-002\_ENG

PART NO.:  
RK1FR2-192400

DRAWING NO.:  
2329-002

REV.:

SCALE:  
1:20

DATE:  
2019-03-27

SHEET:  
1 / 1