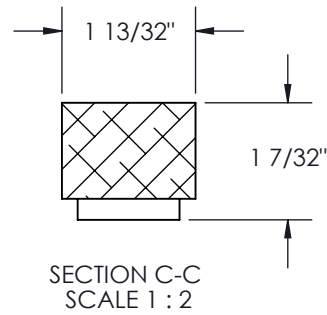
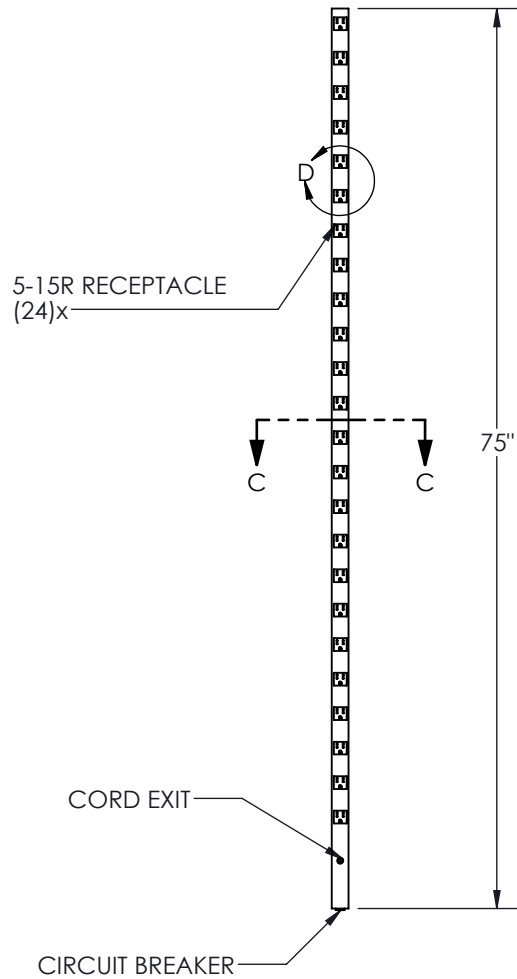


PART NO.	CORD LENGTH	PLUG
PWBNVS-152407506-BK	6'	5-15P
PWBNVS-152407515-BK	15'	5-15P
PWBNVT-152407506-BK	6'	L5-15P
PWBNVT-152407515-BK	15'	L5-15P



DETAIL D
SCALE 1 : 4

NOTES:

- 1- RATED FOR 60Hz, 125V, 15A.
- 2- AC STRIP IS CSA CERTIFIED.
- 3- FOR INDOOR USE ONLY.



PROPRIETARY AND CONFIDENTIAL
 THE INFORMATION CONTAINED IN THIS DRAWING IS THE SOLE PROPERTY OF A.I.G. ELECTRON METAL INC. ANY REPRODUCTION IN PART OR AS A WHOLE WITHOUT THE WRITTEN PERMISSION OF A.I.G. ELECTRON METAL INC IS PROHIBITED.

DRAWN BY: TOM CHECKED BY: TOM	Title: AC STRIP NEWCORP 15A 24 OUTLETS				
PROJECT: Accessories\Electrical\NewCorp			FILE: ACStrip24OutNC15A_1305038219_Eng		
PART NO.: -	DRAWING NO.: 1305038219	REV.: -	SCALE: 1:16	DATE: 2016-06-07	SHEET: 1 / 1