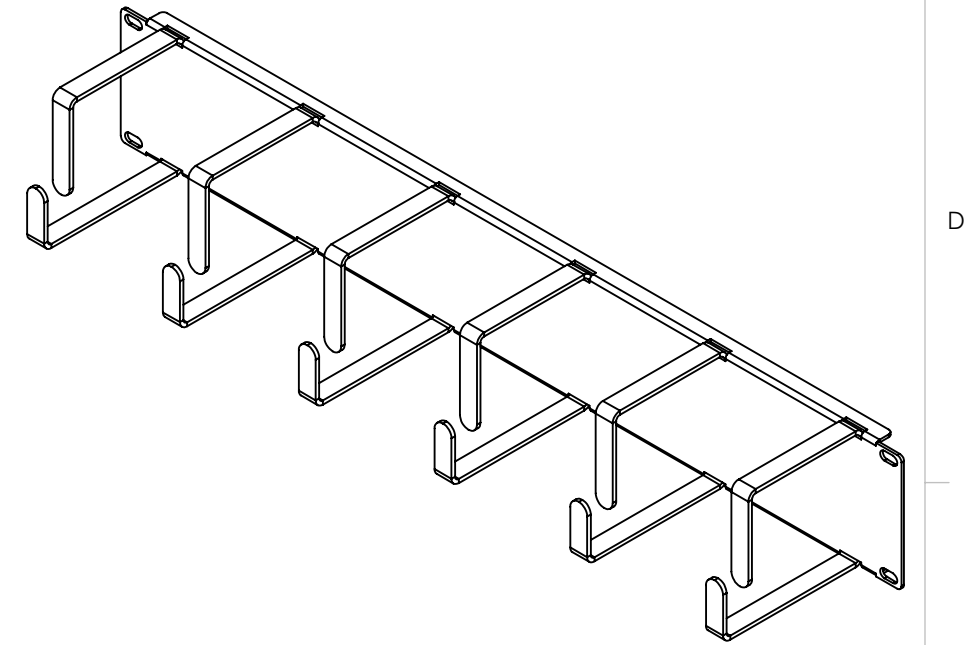
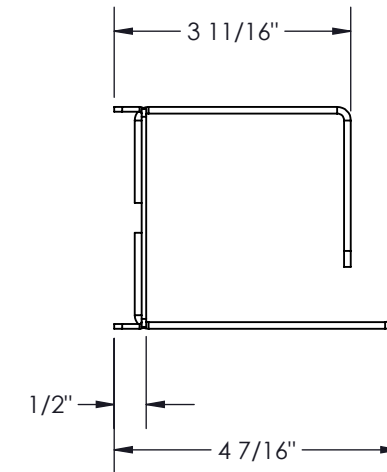
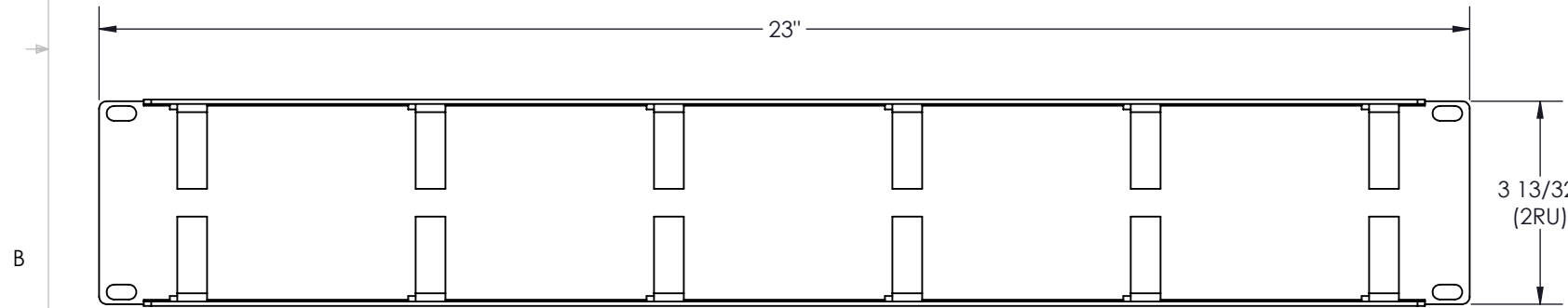
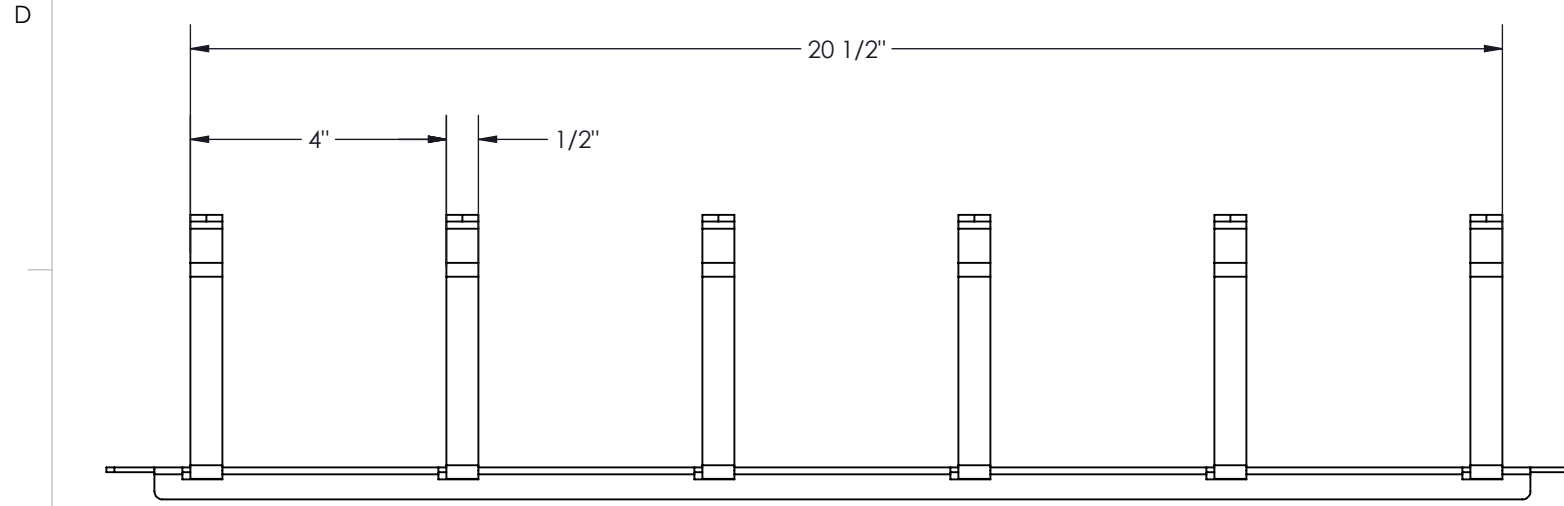


COLOR	PT# SUFFIX
BLACK	-BK
WHITE	-WH
GREY	-GY



NOTES:

- 1 - APPROX. WEIGHT: 3.2 LBS.
- 2 - FINISH: TEXTURE POWDER COAT
- 3 - SHIPS WITH (4) SETS OF BOLTS 10-32 X 5/8"
- 4 - MAT'L: 16GA (0.60") CRS
- 5 - CONSTRUCTION: FULLY WELDED

Electron METAL PROUDLY MANUFACTURED IN CANADA

CONFIDENTIAL
 THE INFORMATION CONTAINED IN THIS DRAWING IS THE SOLE PROPERTY OF ELECTRON METAL A.I.G. INC. ANY REPRODUCTION IN PART OR AS A WHOLE WITHOUT THE WRITTEN PERMISSION OF A.I.G. ELECTRON METAL INC IS PROHIBITED.

APPROVED BY:
E.D.

DRAWN BY: S.D.	TITLE: HORIZONTAL CABLE RETAINER 2RU (23 x 3.5) x 4			
CHECKED BY: E.D.	PROJECT: G:\SWDwgs\CableMgt\Rackmnt\Retainer\			FILE: HorizRetainer23x3.5x4_1305025323_Eng
PART NO.: HCMRET-230204	DWG NO.: 1305025323	REV: A	SCALE: 1:3	DATE: 2008-05-20
				SHEET: 1 / 1