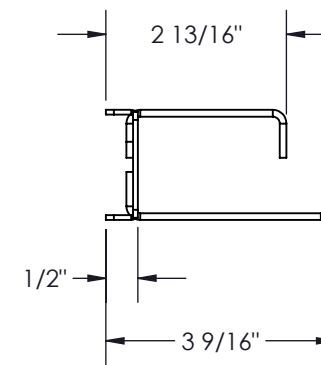
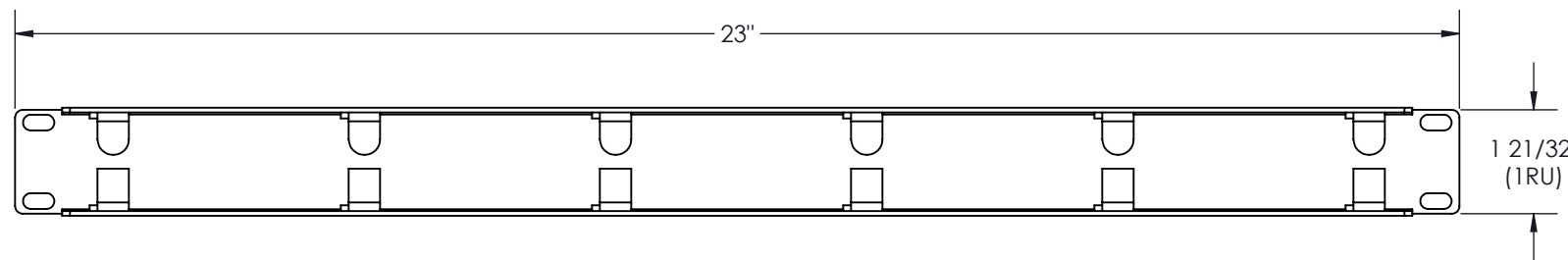
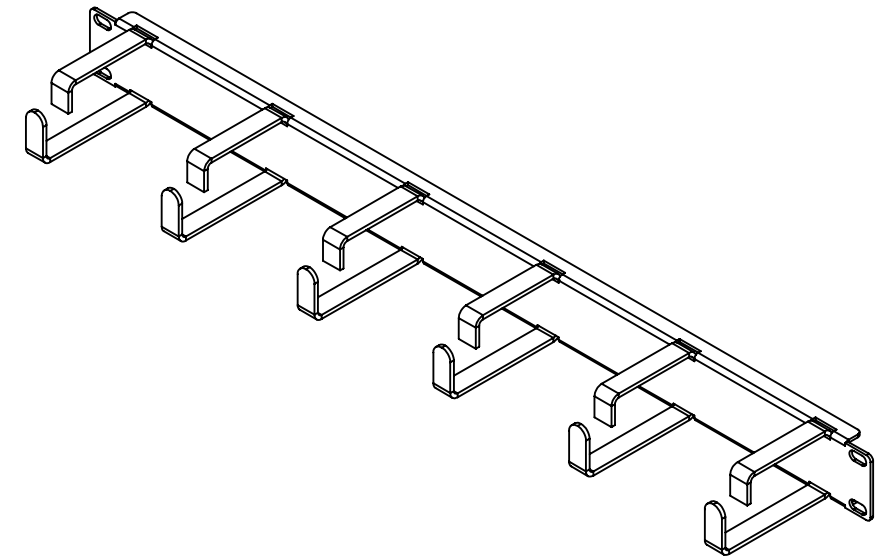
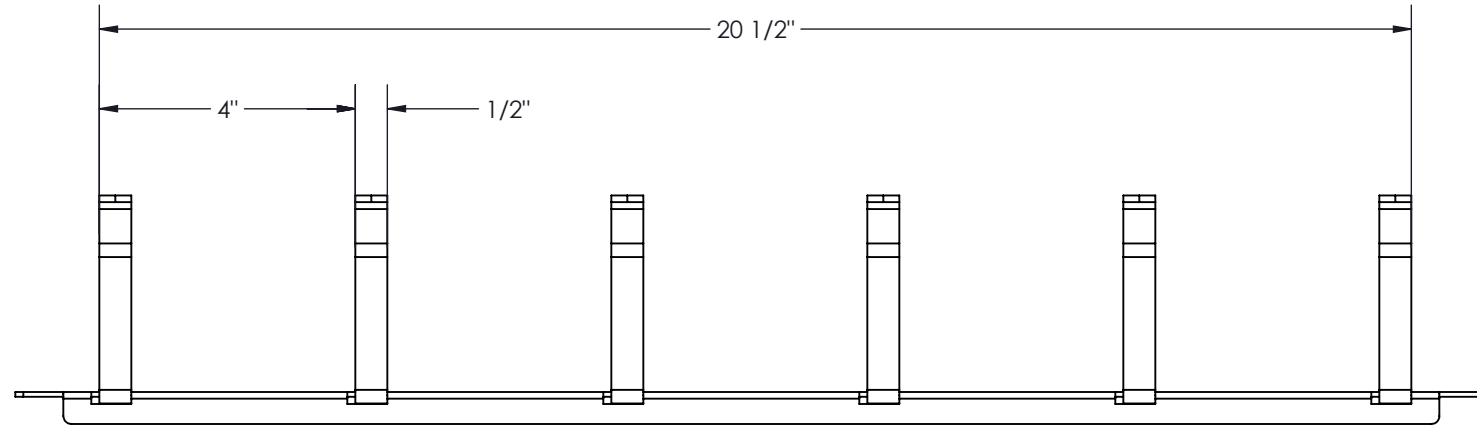


COLOR	PT# SUFFIX
BLACK	-BK
WHITE	-WH
GREY	-GY



NOTES:

- 1 - APPROX. WEIGHT: 1.9 LBS.
- 2 - FINISH: TEXTURE POWDER COAT
- 3 - SHIPS WITH (4) SETS OF BOLTS 10-32 X 5/8"
- 4 - MAT'L: 16GA (0.60") CRS
- 5 - CONSTRUCTION: FULLY WELDED

REV.	DESCRIPTION	DATE	APPR.	STOCK
REVISIONS				

<p>Electron METAL PROUDLY MANUFACTURED IN CANADA</p> <p>CONFIDENTIAL THE INFORMATION CONTAINED IN THIS DRAWING IS THE SOLE PROPERTY OF ELECTRON METAL A.I.G. INC. ANY REPRODUCTION IN PART OR AS A WHOLE WITHOUT THE WRITTEN PERMISSION OF A.I.G. ELECTRON METAL INC IS PROHIBITED.</p>	DRAWN BY: S.DONOFRIO	TITLE: HORIZONTAL CABLE RETAINER 23 x (1.75) x 3				
	CHECKED BY: E.DUCHESNEAU					
APPROVED BY: E.D.	PROJECT: G:\SWDwgs\CableMgt\Rackmnt\Retainer\	FILE: HCMRET-230103	REV.:	SCALE:	DATE:	SHEET:
	PART NO.: HCMRET-230103	DWG NO.: 1305026507	A	1:3	2009-02-26	1 / 1