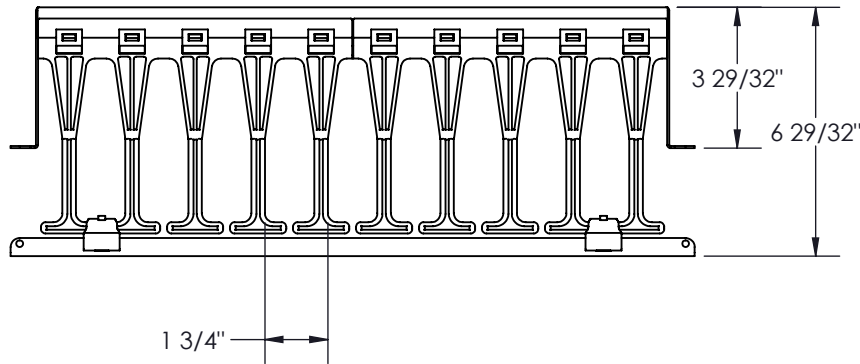
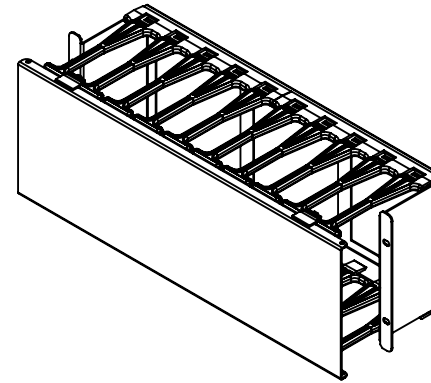
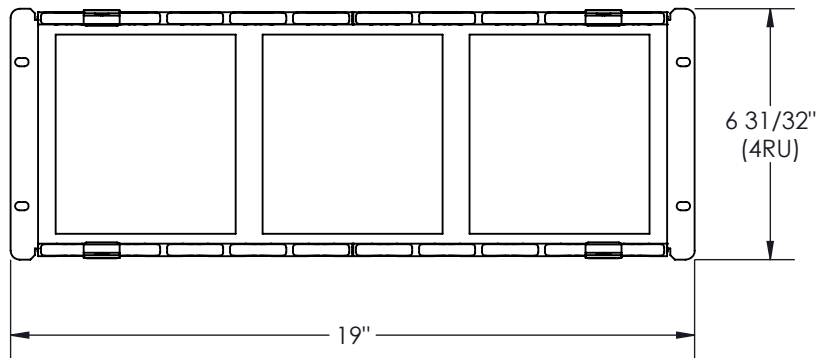


COLOUR	PT NO. SUFFIXE
BLACK	-BK
GREY	-GY
WHITE	-WH

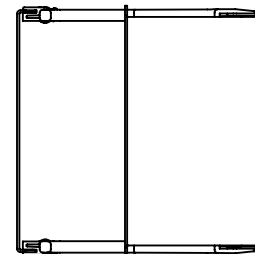


NOTES:

- 1 - FINGER MAT'L: FIRE RATED POLYCARBONATE (UL 94 V-0).  
PANEL MAT'L: 16 GA. (.060) CRS.  
COVER MAT'L: .064 ALUM.
- 2 - WEIGHT: 5.38 LBS
- 3 - FINISH: TEXTURED POWDER COAT.



FRONT VIEW  
COVER NOT SHOWN



REV.	DESCRIPTION	DATE	APPR.	STOCK
REVISIONS				



**PROPRIETARY AND CONFIDENTIAL**  
THE INFORMATION CONTAINED IN THIS DRAWING IS THE SOLE PROPERTY OF ELECTRON METAL A.I.G. INC. ANY REPRODUCTION IN PART OR AS A WHOLE WITHOUT THE WRITTEN PERMISSION OF A.I.G. ELECTRON METAL INC IS PROHIBITED.

APPROVED BY:  
E.D.

DRAWN BY:  
R.H.  
CHECKED BY:  
E.D.

Title:  
HD HORIZONTAL CABLE MGT 4RU (19 x 7) x 6

FILE:

PART NO.:  
HCMPPRA-190406-BK

DRAWING NO.:  
3450-003

REV.:

SCALE:  
3:16

DATE:  
2022-05-25

SHEET:  
1 / 1