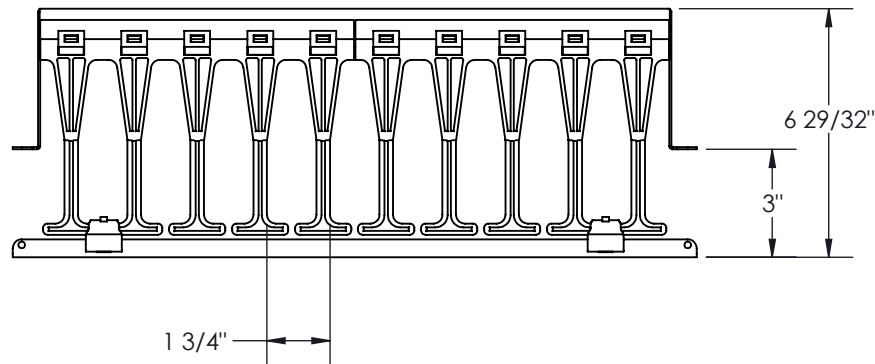
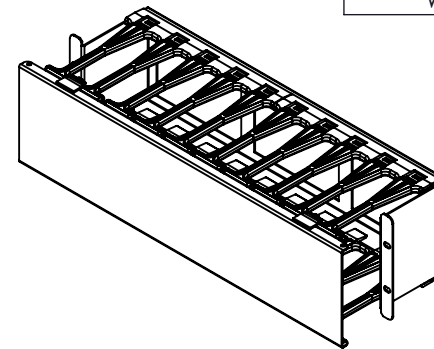
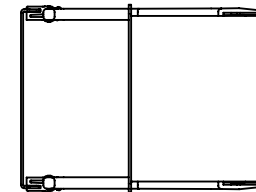
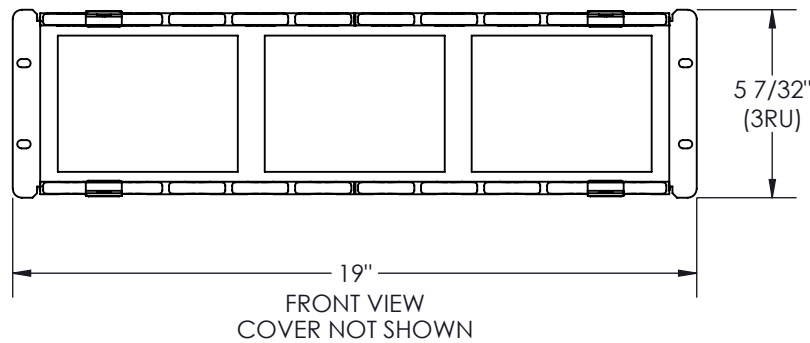


COLOUR	PT NO. SUFFIX
BLACK	-BK
GRIS	-GY
WHITE	-WH



NOTES:

- 1 - FINGER MAT'L: FIRE RATED POLYCARBONATE (UL 94 V-0).
PANEL MAT'L: 16 GA. (.060) CRS.
COVER MAT'L: .064 ALUM.
- 2 - WEIGHT: 4.50 LBS
- 3 - FINISH: TEXTURED POWDER COAT.



Electron PROUDLY MANUFACTURED IN CANADA.
METAL IN CANADA.

PROPRIETARY AND CONFIDENTIAL
THE INFORMATION CONTAINED IN THIS DRAWING IS THE SOLE PROPERTY OF ELECTRON METAL A.I.G. INC. ANY REPRODUCTION IN PART OR AS A WHOLE WITHOUT THE WRITTEN PERMISSION OF A.I.G. ELECTRON METAL INC IS PROHIBITED.

APPROVED BY:
T.M.

DRAWN BY:
E.D.

CHECKED BY:
E.D.

FILE:

PART NO.:
HCMPPRA-190306

Title:
HD HORIZONTAL CABLE MGT 3RU (19 x 5.25) x 6

DRAWING NO.:
3450-005

REV.:

SCALE:
3:16

DATE:
2022-12-12

SHEET:
1 / 1