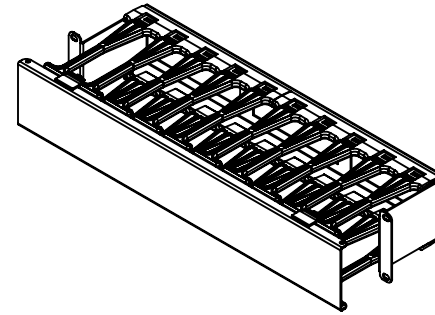
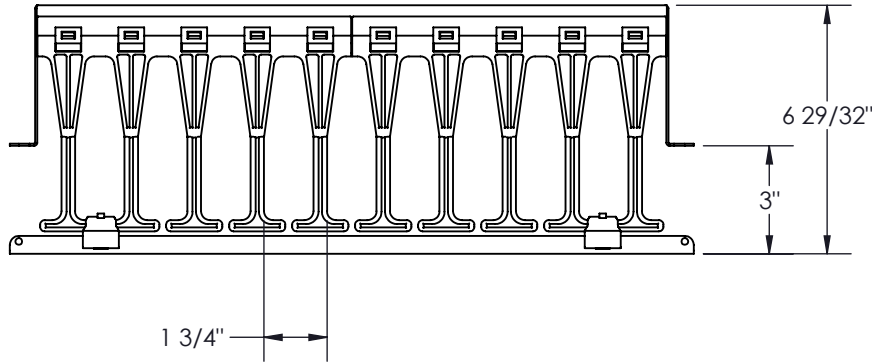


COLOUR	PT NO. SUFFIX
BLACK	-BK
GREY	-GY
WHITE	-WH

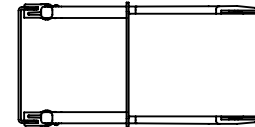
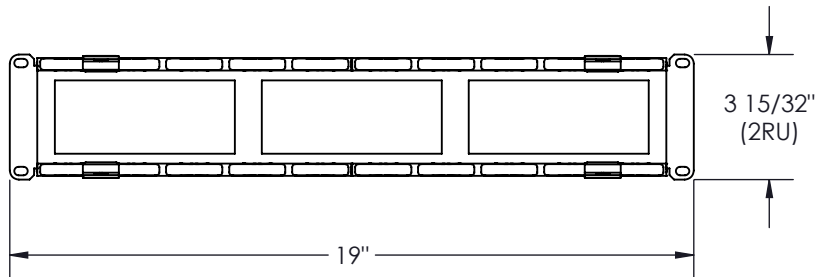


NOTES:

1 - FINGER MAT'L: FIRE RATED POLYCARBONATE (UL 94 V-0).
 PANEL MAT'L: 16 GA. (.060) CRS.
 COVER MAT'L: .064 ALUM.

2 - WEIGHT: 3.53 LBS

3 - FINISH: TEXTURED POWDER COAT.



FRONT VIEW
COVER NOT SHOWN

REV.	DESCRIPTION	DATE	APPR.	STOCK
REVISIONS				

Electron METAL PROUDLY MANUFACTURED IN CANADA.

PROPRIETARY AND CONFIDENTIAL
 THE INFORMATION CONTAINED IN THIS DRAWING IS THE SOLE PROPERTY OF ELECTRON METAL A.I.G. INC. ANY REPRODUCTION IN PART OR AS A WHOLE WITHOUT THE WRITTEN PERMISSION OF A.I.G. ELECTRON METAL INC IS PROHIBITED.

DRAWN BY:
R.H.
CHECKED BY:
E.D.

Title:
HD RECESSED CABLE MGT 2RU (19 x 3.5) x 6

APPROVED BY:
E.D.

PART NO.:
HCMPra-190206

DRAWING NO.:
3450-001

REV.:

SCALE:
3:16

DATE:
2022-05-25

SHEET:
1 / 1