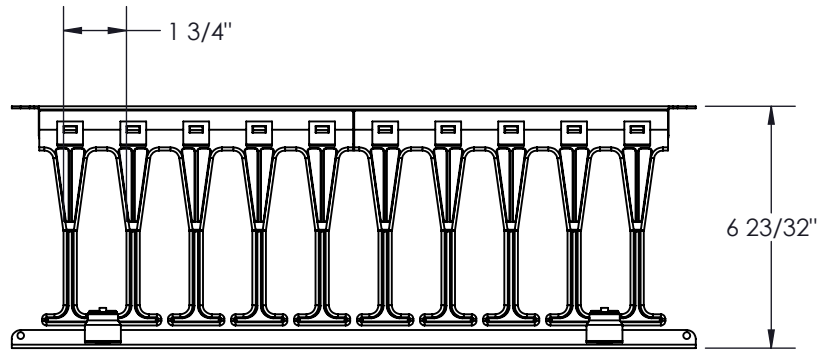
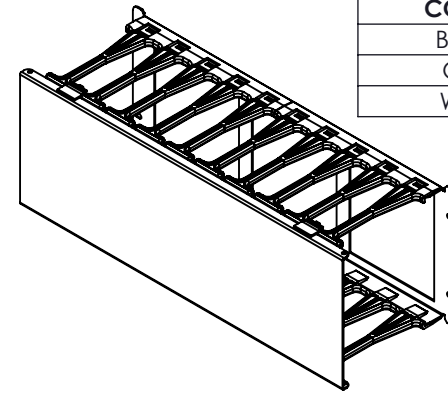
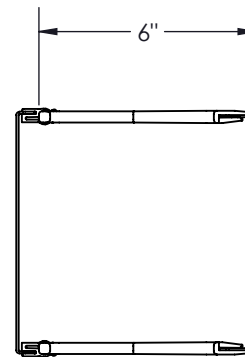
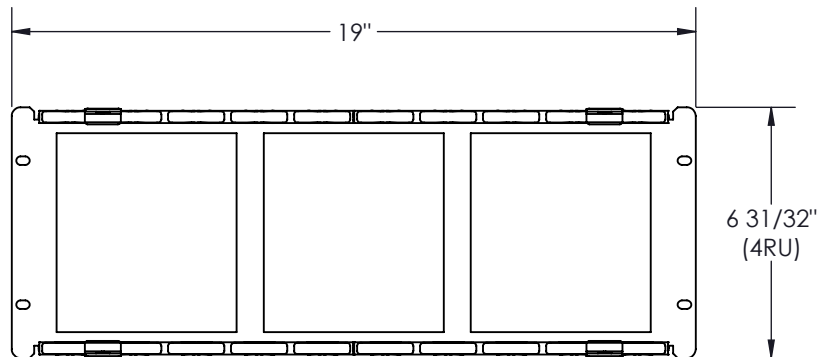


COLOUR	PT NO. SUFFIX
BLACK	-BK
GREY	-GY
WHITE	-WH



NOTES:

- 1 - FINGER MAT'L: FIRE RATED POLYCARBONATE (UL 94 V-0).  
 PANEL MAT'L: 16 GA. (.060) CRS.  
 COVER MAT'L: .064 ALUM.
- 2 - WEIGHT: 4.63 LB
- 3 - FINISH: TEXTURED POWDER COAT.
- 4 - INCLUDES (4) TRUSS HEAD SCREWS 10-32 x 5/8"



FRONT VIEW  
COVER NOT SHOWN

**Electron** PROUDLY  
METAL MANUFACTURED  
IN CANADA.

**PROPRIETARY AND CONFIDENTIAL**  
 THE INFORMATION CONTAINED IN THIS  
 DRAWING IS THE SOLE PROPERTY OF  
 ELECTRON METAL A.I.G. INC. ANY  
 REPRODUCTION IN PART OR AS A WHOLE  
 WITHOUT THE WRITTEN PERMISSION OF  
 A.I.G. ELECTRON METAL INC IS PROHIBITED.

APPROVED BY:  
T.M.

DRAWN BY:  
E.D.

CHECKED BY:  
E.D.

FILE:

PART NO.:  
HCMP1A-190406

Title:  
4RU HIGH DENSITY CABLE MGT (19 x 7) x 6

DRAWING NO.:  
2061-003

REV.:

SCALE:  
3:16

DATE:  
2022-04-13

SHEET:  
1 / 1