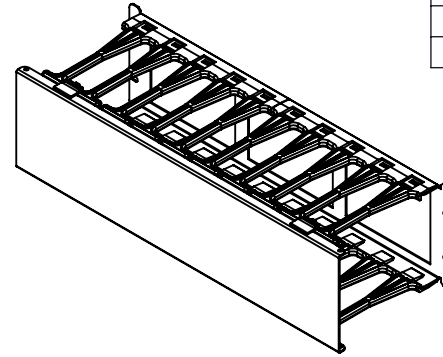
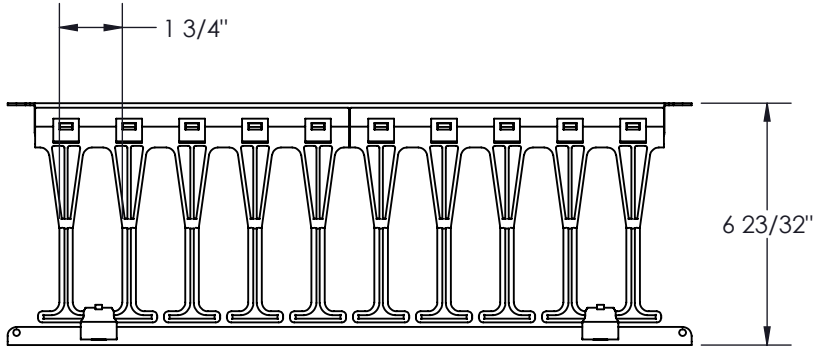


REAR VIEW

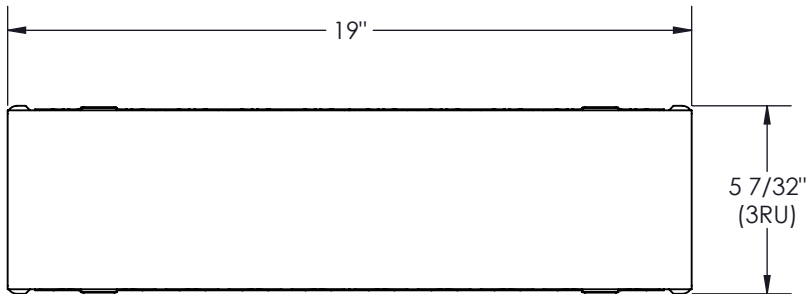


COLOUR	PT NO. SUFFIX
BLACK	-BK
GREY	-GY
WHITE	-WH

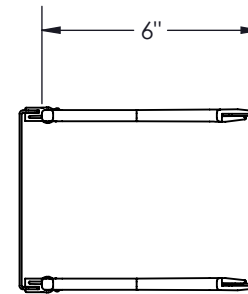


NOTES:

- 1 - FINGER MAT'L: FIRE RATED POLYCARBONATE (UL 94 V-0).
PANEL MAT'L: 16 GA. (.060) CRS.
COVER MAT'L: .064 ALUM.
- 2 - WEIGHT: 3.87 LB
- 3 - FINISH: TEXTURED POWDER COAT.
- 4 - INCLUDES WITH (4) TRUSS HEAD SCREW 10-32 x 5/8"



FRONT VIEW



PROPRIETARY AND CONFIDENTIAL
THE INFORMATION CONTAINED IN THIS DRAWING IS THE SOLE PROPERTY OF A.I.G. ELECTRON METAL INC. ANY REPRODUCTION IN PART OR AS A WHOLE WITHOUT THE WRITTEN PERMISSION OF A.I.G. ELECTRON METAL INC IS PROHIBITED.

APPROVED BY:
T.M.

DRAWN BY:
E.D.
CHECKED BY:
E.D.

Title:
3RU PLASTIC FINGER CABLE MGT

PROJECT:
PART NO.:
HCMP1A-190306

DRAWING NO.:
2061-004

FILE:
GestionPlastiqueHoriz19x5x6_2061-004_Eng

REV.:	SCALE: 3:16	DATE: 2022-11-10	SHEET: 1 / 1
-------	----------------	---------------------	-----------------