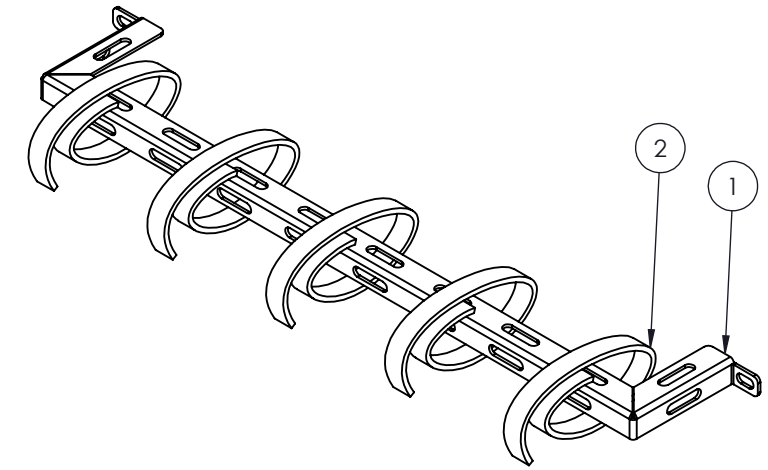
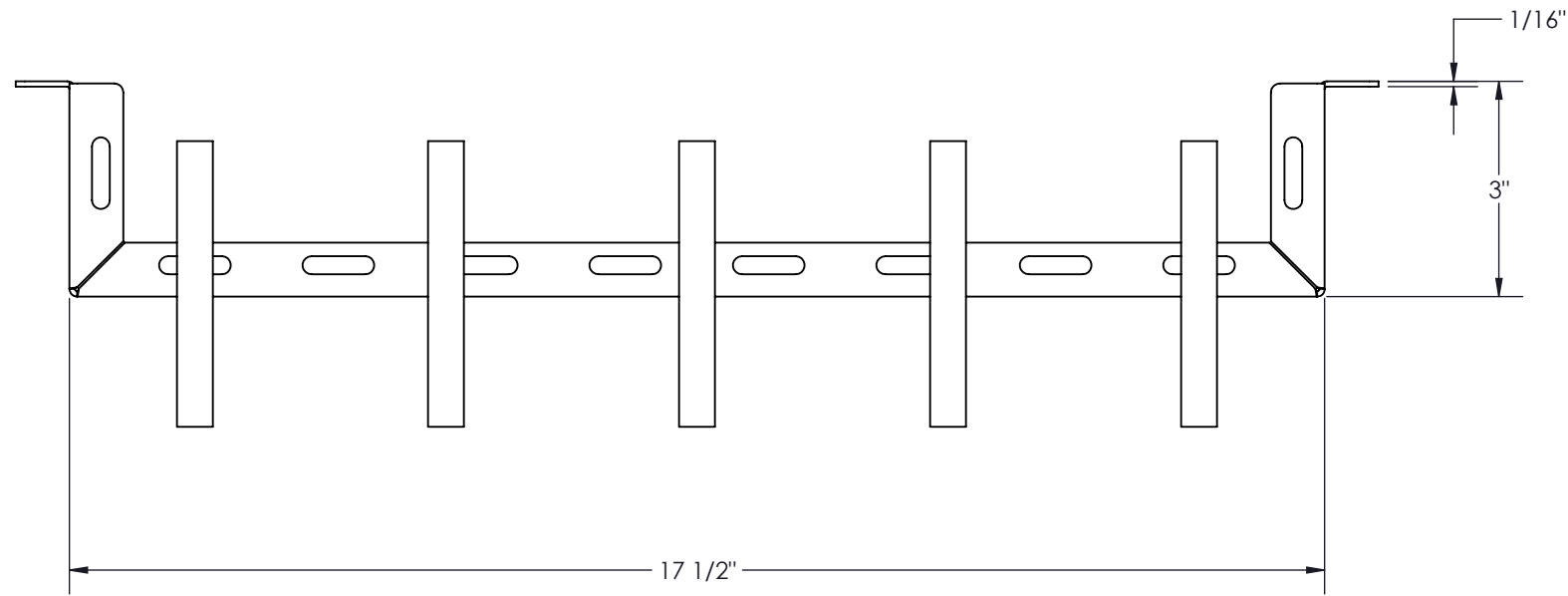


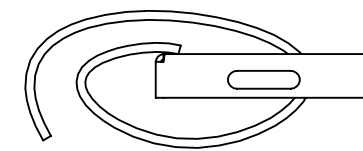
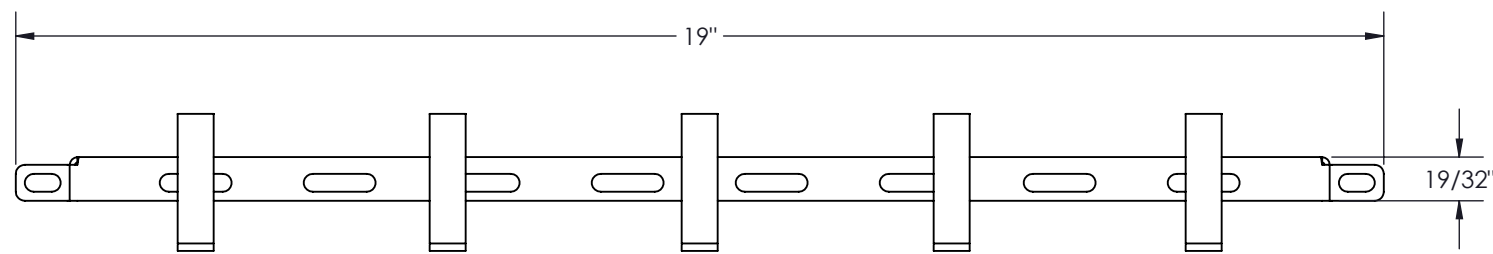
COLOR	PT# SUFFIX
BLACK	-BK
WHITE	-WH
GREY	-GY

NO.	DWG/SUPPLIER	CFG/SUPPLIER NO.	DESCRIPTION	QTY
1	3646-001	(19) x 3	CABLE SUPPORT BAR	1
2	POLYGON WIRE	3108-X-675-CR	VELCRO TIE WRAP FIRE RETARDANT	5



NOTES:

- 1 - WEIGHT.APPROX: 0.612 LBS
- 2 - FINISH: TEXTURE POWDER PAINT COATING
- 3 - MAT'L: STEEL CRS GAUGE 16 (0.060")
- 4 - INCLUDES (2) TRUSS HEAD SCREWS 10-32 X 5/8"
- 5 - THE VELCRO FASTENERS ARE CRANBERRY COLOR



RÉV.	DESCRIPTION	DATE	APPR.	INV.
RÉVISIONS				

<p>Electron METAL PROUDLY MANUFACTURED IN CANADA</p> <p>CONFIDENTIAL THE INFORMATION CONTAINED IN THIS DRAWING IS THE SOLE PROPERTY OF ELECTRON METAL A.I.G. INC. ANY REPRODUCTION IN PART OR AS A WHOLE WITHOUT THE WRITTEN PERMISSION OF A.I.G. ELECTRON METAL INC IS PROHIBITED.</p>	DRAWN BY: M.W. CHECKED BY: E.D.	TITLE: CABLE SUPPORT BAR (19) x 3 WITH VELCRO				
	FILE: BarreSupportCables19x3AvecVelcro_3646-005_Eng					
APPROVED BY: E.D.	PART NO.: HCMCSV-190003-BK	DWG NO.: 3646-005	REV.: A	SCALE: 3:8	DATE: 2024/02/16	SHEET: 1 / 1