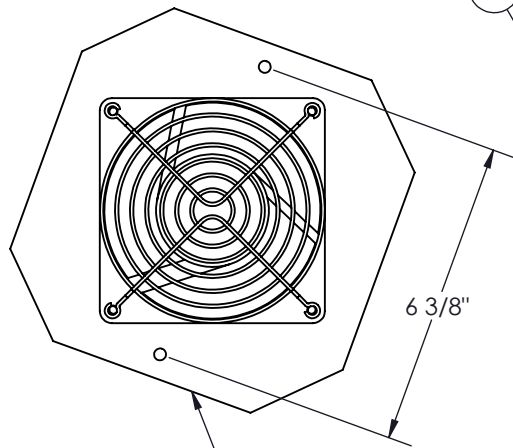
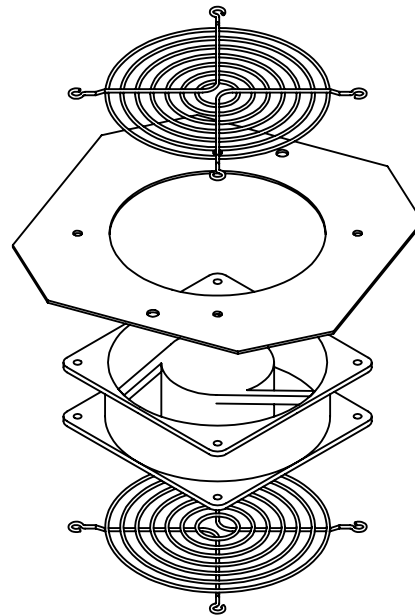
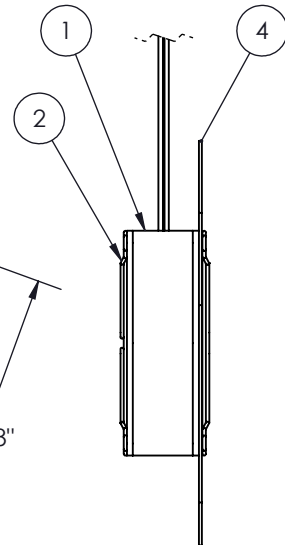
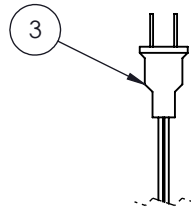


COLOUR	PT # SUFFIX
BLACK	-BK
WHITE	-WH
GREY	-GY

NO.	DWG/SUPPLIER	CFG/SUPPLIER NO.	DESCRIPTION	QTY
1	NMB	4715FS-12T-B50-D00	4" FAN 100 CFM	1
2	NMB	055015	4" FAN GRILL	2
3	MULTICOMP	MC32803 - 3'	3 FOOT FAN CORD	1
4	1305026170	Default	6" ADAPTER PLATE FOR 4" FAN	1



ADAPTOR PLATE FOR 6" FAN CUT-OUT.

FAN SPECIFICATIONS:

- VOLTAGE: 115VAC
- FREQUENCY: 60Hz
- CURRENT: 190mA
- POWER: 14.4W
- SPEED: 3100
- AIR FLOW: 110CFM MAX.
- NOISE: 45dB

CORD SPECIFICATIONS: 3' LONG

- RATED: 7A@300V
- MATERIAL:
 - BODY: PVC
 - CORD: SPT1, 18AWG, 2 CONDUCTORS
 - TERMINAL: NICKEL PLATED BRASS
- CONNECTOR: NEMA 1-15P

INCLUDES:

- 4 SCREWS 6-32 x 2 WITH K-LOC NUTS
- 2 SCREWS 8-32 x 3/8

APPROX. WEIGHT: 3.75 LB

ADAPTOR PLATE FINISH: TEXTURED POWDER COAT

REV.	DESCRIPTION	DATE	APPR.
REVISIONS			



PROPRIETARY AND CONFIDENTIAL
 THE INFORMATION CONTAINED IN THIS DRAWING IS THE SOLE PROPERTY OF ELECTRON METAL A.I.G. INC. ANY REPRODUCTION IN PART OR AS A WHOLE WITHOUT THE WRITTEN PERMISSION OF A.I.G. ELECTRON METAL INC IS PROHIBITED.

DRAWN BY:
E.D.
CHECKED BY:
E.D.

Title:
4" FAN 100CFM 4000 ADAPTOR

FILE:
Fan4Inch100CFM3FootCordGrillAdaptor_1305029773_Eng

PART NO.:
FANSS4-041003

DRAWING NO.:
1305029773

REV.:

SCALE:
1:4

DATE:
2010-05-11

SHEET:
1 / 1

APPROVED BY:

5

4