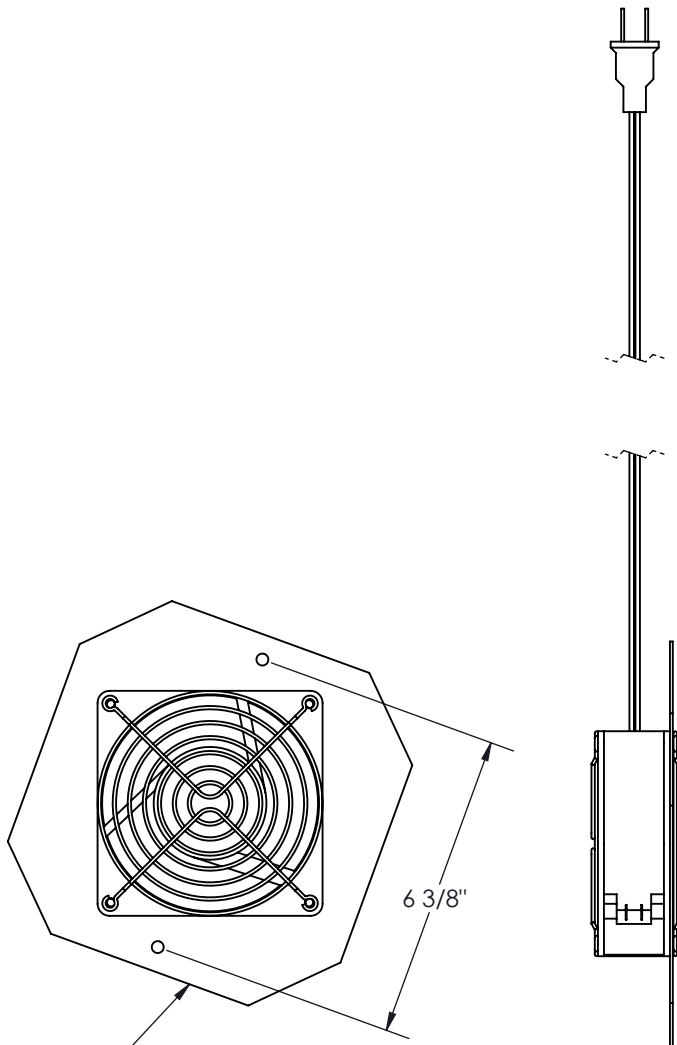
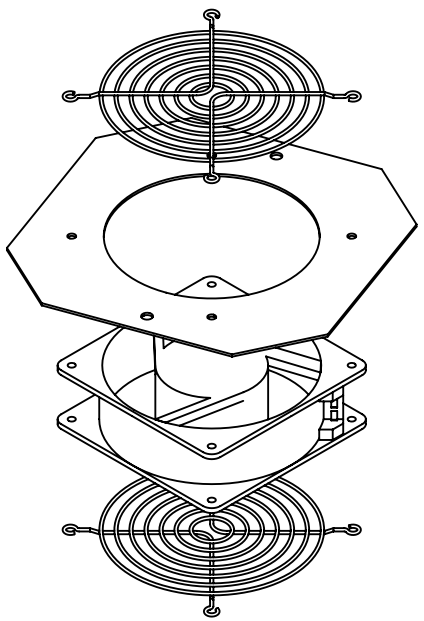


NO.	DWG/SUPPLIER	CFG/SUPPLIER NO.	DESCRIPTION	QTY
1	NMB	4715MS-12T-B10-A00	4" FAN 50 CFM	1
2	NMB	055015	4" FAN GRILL	2
3	MULTICOMP	MC32797 - 6'	6 FOOT FAN CORD	1
4	1305026170	Default	6" ADAPTER PLATE FOR 4" FAN	1




ADAPTOR PLATE FIT 6" FAN CUT-OUT.



FAN SPECIFICATIONS:
 - VOLTAGE: 115VAC
 - FREQUENCY: 60Hz
 - CURRENT: .080mA
 - POWER: 5.5W
 - SPEED: 1458
 - AIR FLOW: 49.4CFM MAX.
 - NOISE: 28dB

CORD SPECIFICATIONS:
 - LENGTH: 6'
 - CONNECTOR: NEMA 1-15P

REV.	DESCRIPTION	DATE	APPR.
REVISIONS			

 <p style="font-size: small; color: red;">PROUDLY MANUFACTURED IN CANADA.</p> <p style="font-size: x-small; font-weight: bold;">PROPRIETARY AND CONFIDENTIAL</p> <p style="font-size: x-small;">THE INFORMATION CONTAINED IN THIS DRAWING IS THE SOLE PROPERTY OF A.I.G. ELECTRON METAL INC. ANY REPRODUCTION IN PART OR AS A WHOLE WITHOUT THE WRITTEN PERMISSION OF A.I.G. ELECTRON METAL INC IS PROHIBITED.</p>	DRAWN BY: TOM	Title: 4" FAN 50CFM 4000 ADAPTOR					
	CHECKED BY: TOM						
APPROVED BY: E.D.	PROJECT: G:\SWDwgs\Accessories\Ventilation\Ventilateurs\4Pouces\	FILE: Fan4Inch50CFM5FootCordGrillAdaptor_1305031970_Eng	DRAWING NO.: 1305031970	REV.: A	SCALE: 1:4	DATE: 2012-11-22	SHEET: 1 / 1
PART NO.: FANSS4-040505							