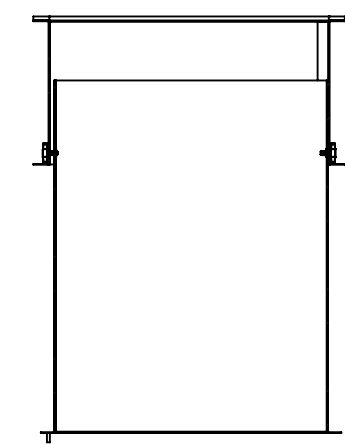
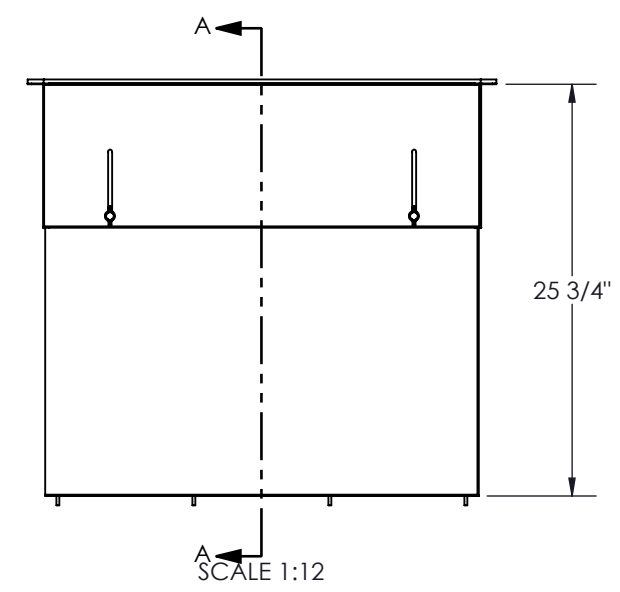
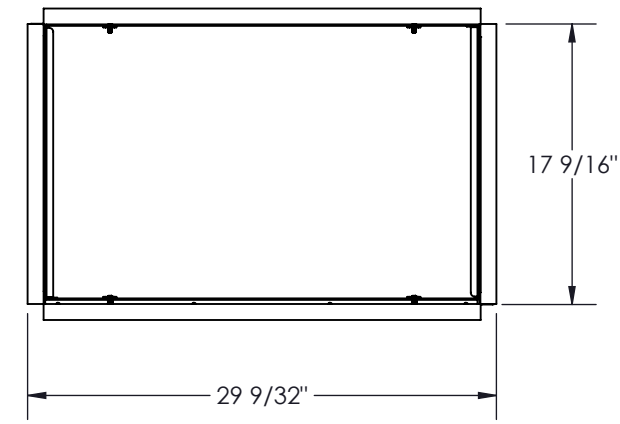
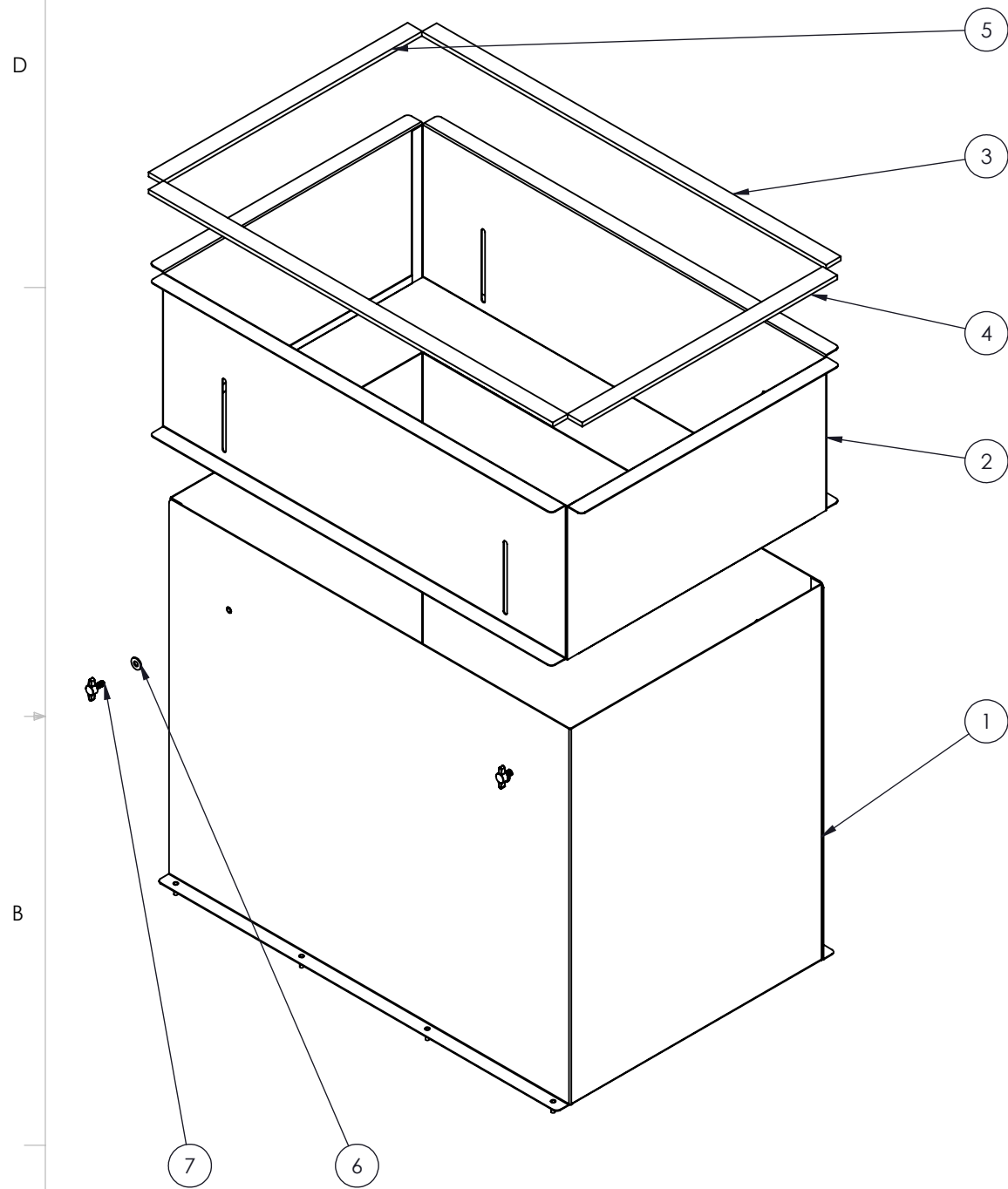


COLOR	PT# SUFFIX
BLACK	-BK
WHITE	-WH
GREY	-GY

NO.	DWG/SUPPLIER	CFG/SUPPLIER NO.	DESCRIPTION	QTY
1	1305039206	Default	INNER CHIMNEY 30 x 24 x 17	1
2	1305039207	Default	OUTER CHIMNEY 30 x 17	1
3	PROFOM	PROFOM 5LR11-I1 - 27.313"	GASKET 1/4 x 1 URETHANE	2
4	PROFOM	PROFOM 5LR11-I1 - 17.75"	GASKET 1/4 x 1 URETHANE	1
5	PROFOM	PROFOM 5LR11-I1 - 17.5"	GASKET 1/4 x 1 URETHANE	1
6	TECHNI-VIS	*.250	FLAT WASHER 1/4"	4
7	MC-MASTER	91185A919	PLASTIC TEE HEAD THUMB SCREW 1/4-20 x 5/8	4



NOTES:
 1 - WEIGHT.APPROX: 41.45 LBS
 2 - MAT'L: STEEL CRS GAUGE 18 (0.048")
 3 - FINISH: TEXTURED POWDER COATING

Electron METAL PROUDLY MANUFACTURED IN CANADA
 CONFIDENTIAL
 THE INFORMATION CONTAINED IN THIS DRAWING IS THE SOLE PROPERTY OF ELECTRON METAL A.I.G. INC. ANY REPRODUCTION IN PART OR AS A WHOLE WITHOUT THE WRITTEN PERMISSION OF A.I.G. ELECTRON METAL INC IS PROHIBITED.

DRAWN BY: E. D.	TITLE: EXHAUST CHIMNEY 30 x 36.25 x 17
CHECKED BY: E. D.	
PROJECT: G:\SWDwgs\Accessories\Ventilation\ChemineeEchapement\ChemineeEchape	FILE: E:\Comp\2417
PART NO.: EXHCHI-272417	DWG NO.: 1305039205
REV: A	SCALE: 1:8
DATE: 2016-12-23	SHEET: 1 / 1

APPROVED BY:
T.M.