

NOTES:

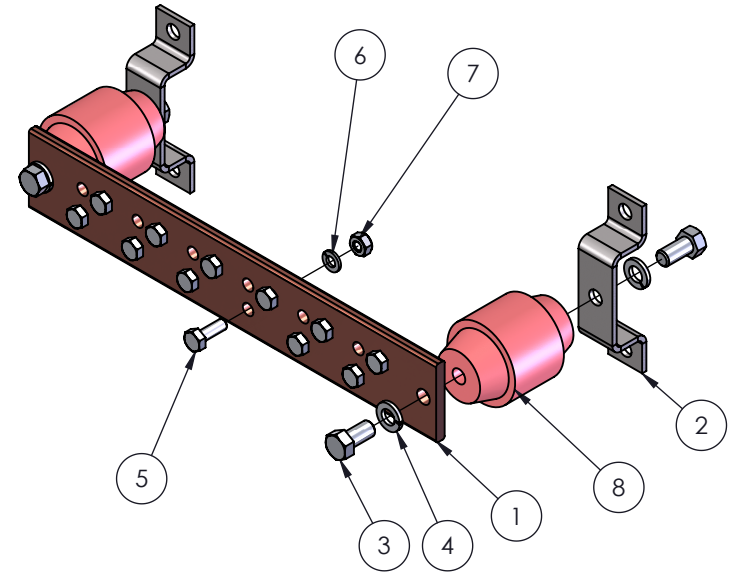
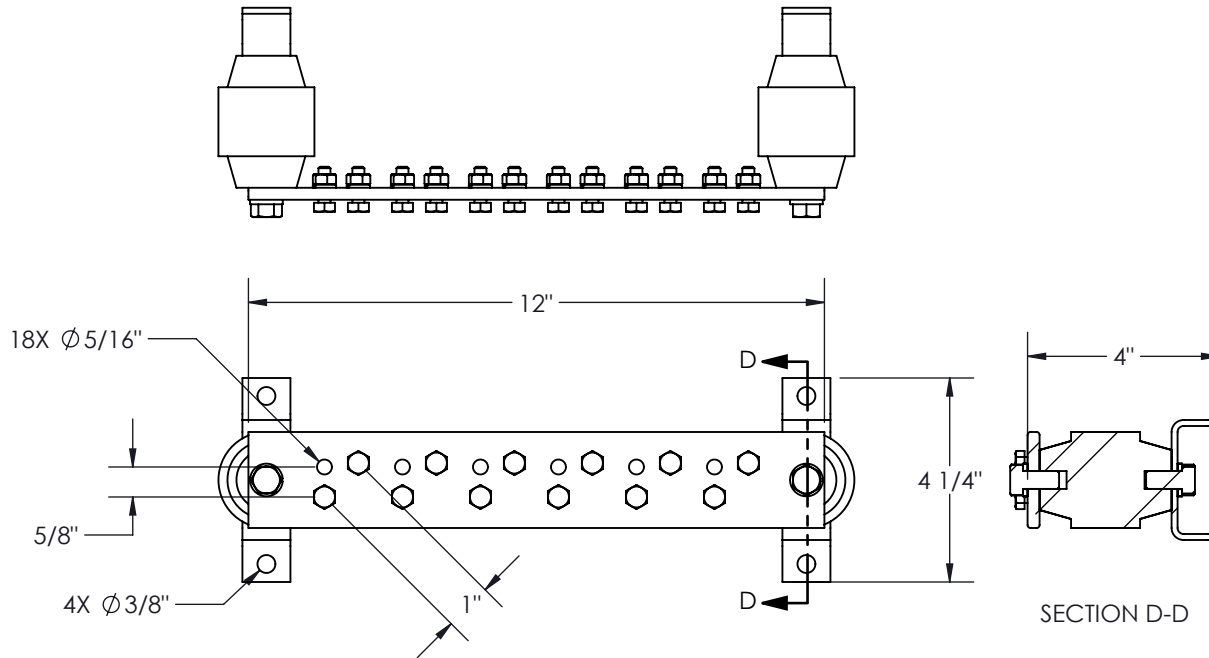
1 - FINISH: TIN AS PER MIL-C-10727C TY:1

2 - WEIGHT: 3.13 LB

3- INSULATORS RATED FOR 3600V, ARE UL RECOGNIZED TO UL STANDARD FOR SAFETY 891, AND MEET UL FLAMABILITY RATING 94 V-O.

4 - GROUND BUS CAN ACCOMMODATE A QUANTITY OF (6) LUGS WITH 2 HOLES AT EITHER 1" CENTERS OR 5/8" CENTERS.

NO.	DWG/SUPPLIER	CFG/SUPPLIER NO.	DESCRIPTION	QTY
1	1305031411	FIXATION 4.25"	BRACKET	2
2	1305031409	BARRE 12"	COPPER BAR 2"	1
3		HBOLT 0.2500-20x0.75x0.75-N	STAINLESS STEEL HEX BOLT	12
4		HBOLT 0.3750-16x0.75	STAINLESS STEEL HEX BOLT	4
5		LW 0.25	STAINLESS STEEL LOCK WASHER	12
6		LW 0.375	STAINLESS STEEL LOCK WASHER	4
7		HNUT 0.2500-20-D-N	STAINLESS STEEL HEX NUT	12
8	-	GLASTIC 1872-1B	INSULATOR 3600V	2



A	NEW GLASTIQUE	2021-05-28	TOM
RÉV.	DESCRIPTION	DATE	APPR.
RÉVISIONS			



PROPRIETARY AND CONFIDENTIAL
 THE INFORMATION CONTAINED IN THIS DRAWING IS THE SOLE PROPERTY OF ELECTRON METAL A.I.G. INC. ANY REPRODUCTION IN PART OR AS A WHOLE WITHOUT THE WRITTEN PERMISSION OF A.I.G. ELECTRON METAL INC IS PROHIBITED.

DRAWN BY:
E.D.
CHECKED BY:
E.D.

Title:
WALL MOUNT GROUND BUS 12 x 2

PROJECT:
G:\SWDwgs\Accessories\Electrical\MALT\Mural\

FILE:
BarreMALT2x12_1305031412_Eng

PART NO.:
ELEGWM-120204-TN

DRAWING NO.:
1305031412

REV.:
A

SCALE:
1:4

DATE:
2012-08-21

SHEET:
1 / 1

APPROVED BY: