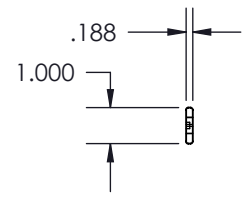
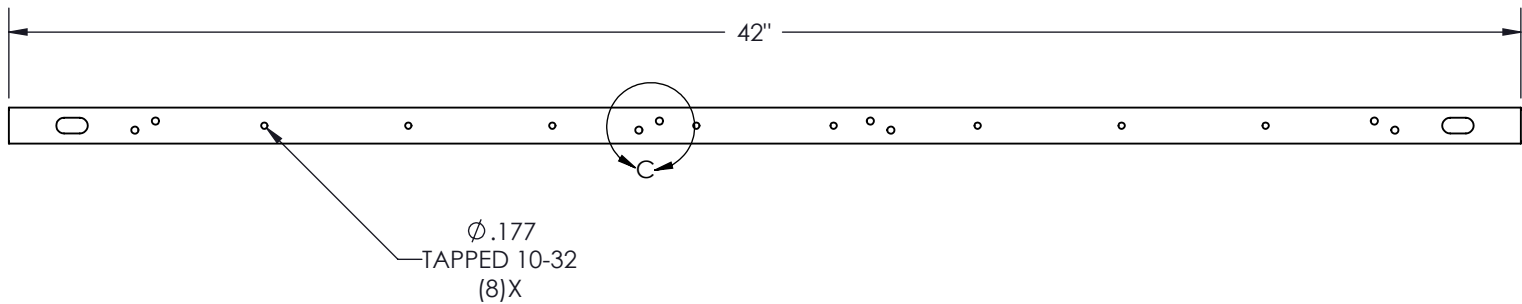
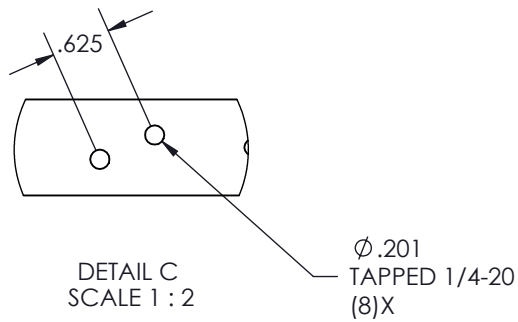


PART NO.
ELEGV2-002400



REV.	DESCRIPTION	DATE	APPR.
REVISIONS			

<p>PROPRIETARY AND CONFIDENTIAL THE INFORMATION CONTAINED IN THIS DRAWING IS THE SOLE PROPERTY OF A.I.G. ELECTRON METAL INC. ANY REPRODUCTION IN PART OR AS A WHOLE WITHOUT THE WRITTEN PERMISSION OF A.I.G. ELECTRON METAL INC IS PROHIBITED.</p>	DRAWN BY: E.D.	Title: COPPER BAR (42) TAPPED 1/4-20 & 10-32					
	CHECKED BY: E.D.						
PROJECT: Accessories\Electrical\MALT	FILE: BarreMALTVerticalCosse2Trous42_1305031215_Eng	MATL: COPPER BAR 1 x 3/16	DRAWING NO.:1305031215	REV.:-	SCALE: 3:16	DATE: 2012-05-09	SHEET: 1 / 1