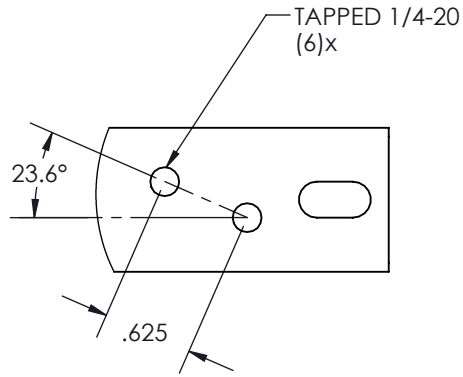
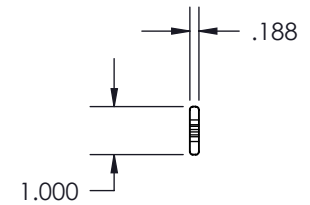
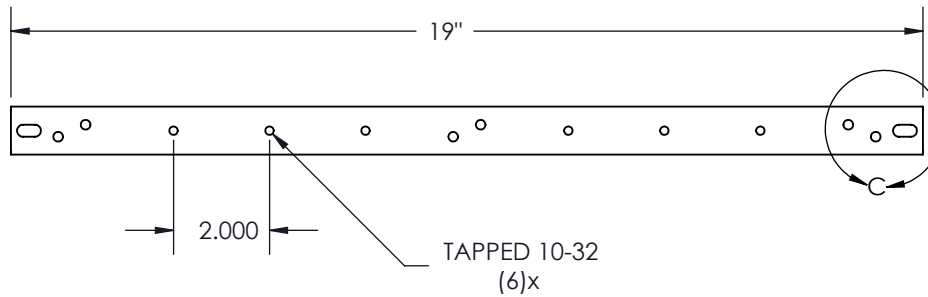
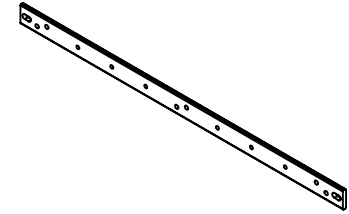



DESCRIPTION	PART NO.
(19") BAR	ELEGH2-190103



DETAIL C
SCALE 3 : 4



 <p>PROPRIETARY AND CONFIDENTIAL THE INFORMATION CONTAINED IN THIS DRAWING IS THE SOLE PROPERTY OF A.I.G. ELECTRON METAL INC. ANY REPRODUCTION IN PART OR AS A WHOLE WITHOUT THE WRITTEN PERMISSION OF A.I.G. ELECTRON METAL INC IS PROHIBITED.</p>	<p>CONFIDENTIEL L'INFORMATION CONTENUE DANS CE DESSIN EST L'ENTIÈRE PROPRIÉTÉ D'ELECTRON METAL A.I.G. INC. TOUTE REPRODUCTION PARTIELLE OU EXHAUSTIVE SANS PERMISSION ÉCRITE D'ELECTRON METAL A.I.G. INC. EST INTERDITE.</p>	DRAWN BY: TOM	Title: GROUND BUS TAPPED 1/4-20 AND 10-32										
		CHECKED BY: TOM											
PROJECT: Accessories\Electrical\MALT		FILE: BarreMALTHorizCosse2Trous_1305028427_Eng		MATERIAL: COPPER 3/16 x 1		DRAWING NO.:	REV.:	SCALE:	DATE:	SHEET:			
				1305028427		C		1:4		2010-07-30		1 / 1	