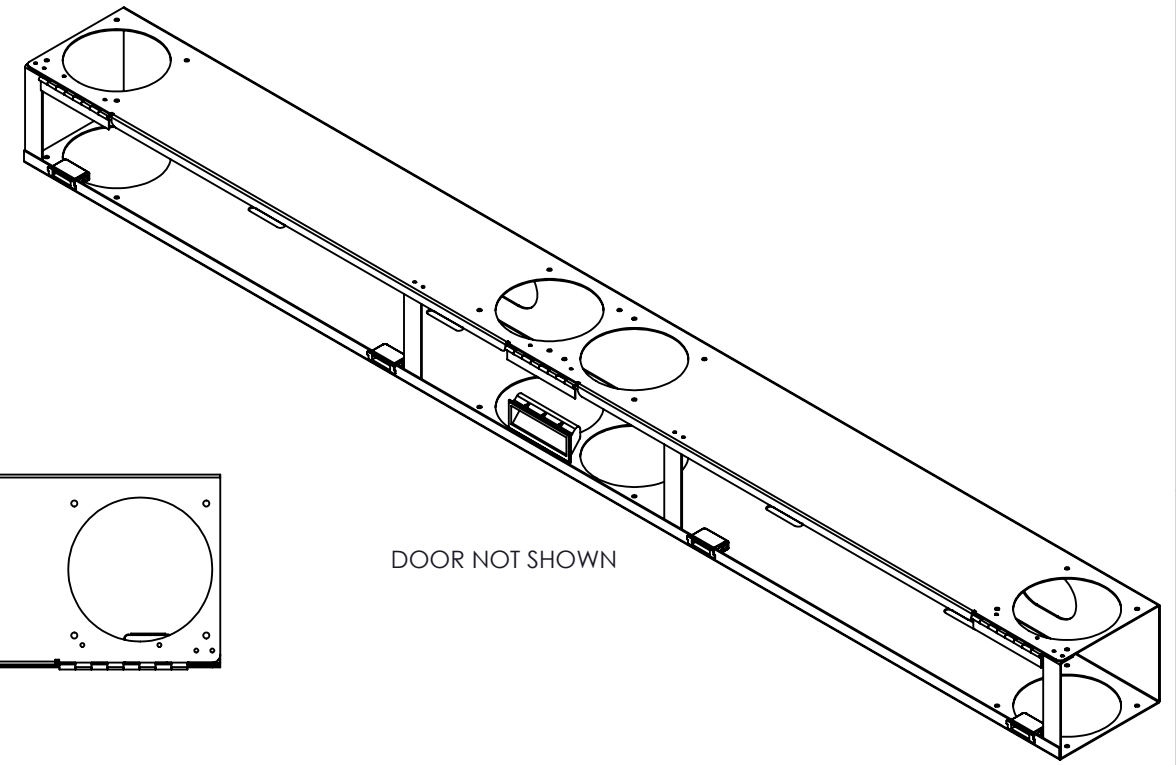
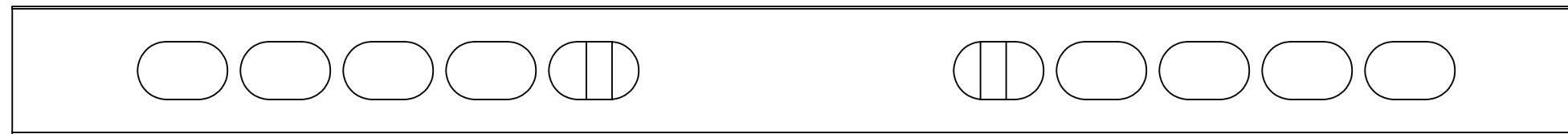
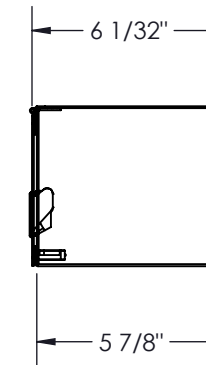
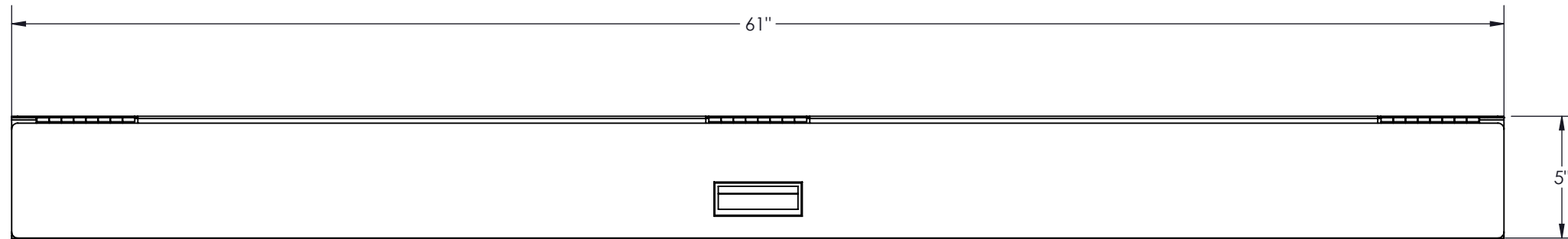
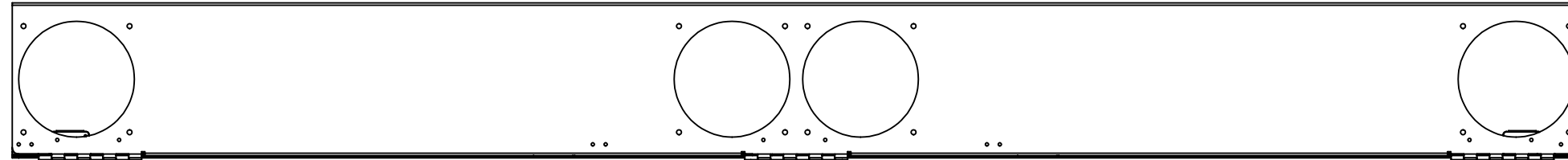


COLOR	PT# SUFFIX
BLACK	-BK
WHITE	-WH
GREY	-GY



DOOR NOT SHOWN



NOTES:

- 1 - APPROX. WEIGHT: 20.3 LBS.
- 2 - FINISH: TEXTURE POWDER COAT
- 3 - SHIPS WITH (4) SETS OF BOLTS 1/4"-20 X 3/4"
- 4 - MATL'L: 16GA (0.60") CRS
- 5 - CONSTRUCTION: FULLY WELDED

REV.	DESCRIPTION	DATE	APPR.	STOCK
REVISIONS				

Electron METAL PROUDLY MANUFACTURED IN CANADA

CONFIDENTIAL
THE INFORMATION CONTAINED IN THIS DRAWING IS THE SOLE PROPERTY OF ELECTRON METAL A.I.G. INC. ANY REPRODUCTION IN PART OR AS A WHOLE WITHOUT THE WRITTEN PERMISSION OF A.I.G. ELECTRON METAL INC IS PROHIBITED.

DRAWN BY: S.D.	TITLE: TOP CABLE MGT 5 x 6 x 61			
CHECKED BY: E.D.				
PROJECT: G:\SWDwgs\CableMgt\CableMgt_Racks\TopCableTrough\	FILE: TopCableTrough5x6x61_1305025022_Eng			
PART NO.: CMRTOP-610506	DWG NO.: 1305033314	REV.: -	SCALE: 1:6	DATE: 2008-03-21
				SHEET: 1 / 1

APPROVED BY: