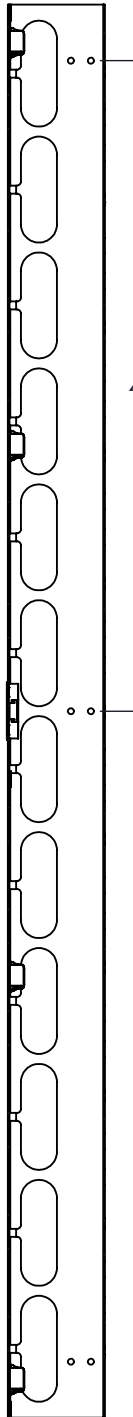
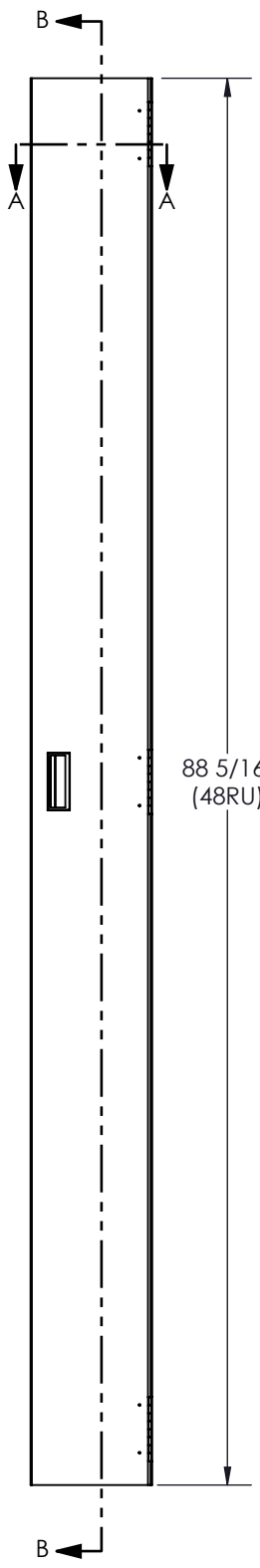
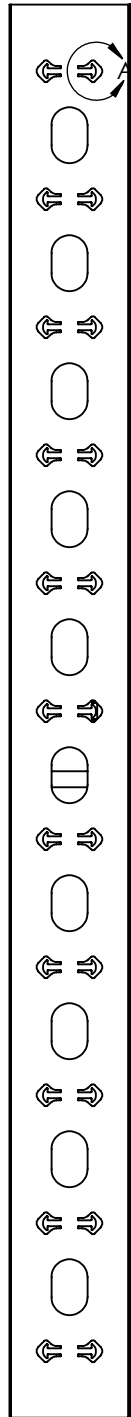


COLOR	PT# SUFFIX
BLACK	-BK
WHITE	-WH
GREY	-GY

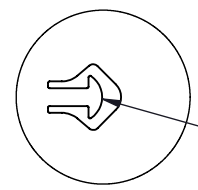
D

B

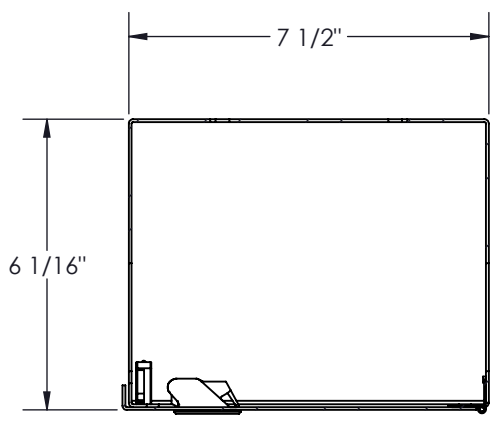
A



SECTION B-B



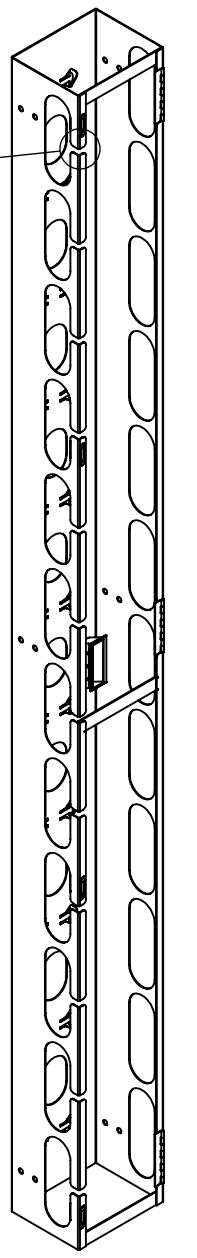
DETAIL A  
SCALE 1 : 4



SECTION A-A  
SCALE 1 : 4

SLOTS FACILITATE  
CABLE ROUTING

CABLE HOOKS



DOOR NOT SHOWN

NOTES:

- 1 - APPROX. WEIGHT: 35.4 LBS.
- 2 - FINISH: TEXTURE POWDER COAT
- 3 - SHIPS WITH (12) SETS OF BOLTS 1/4"-20 X 3/4"
- 4 - MATL'L: 16GA (0.60") CRS
- 5 - CONSTRUCTION: FULLY WELDED
- 6 - CABLE MANAGEMENT IS REVERSIBLE LH OR RH OPENING

<p><b>Electron METAL</b> PROUDLY MANUFACTURED IN CANADA</p>	DRAWN BY: E.D.	TITLE: VERTICAL CONDUIT 7.5 x (84) x 6				
	CHECKED BY: E.D.	PROJECT: G:\SWDwgs\CableMgt\CableMgt_Racks\VertCableMgt\	FILE: VertCableMgtAssy7x6x84_1305024808_Eng			
APPROVED BY: E.D.	PART NO.: CMRSTD-074806	DWG NO.: 1305024808	REV. A	SCALE: 1:12	DATE: 2007-12-21	SHEET: 1 / 1

8 7 6 5 4 3 2 1

8 7 6 5 4 3 2 1