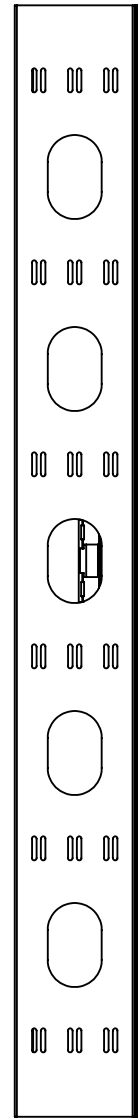
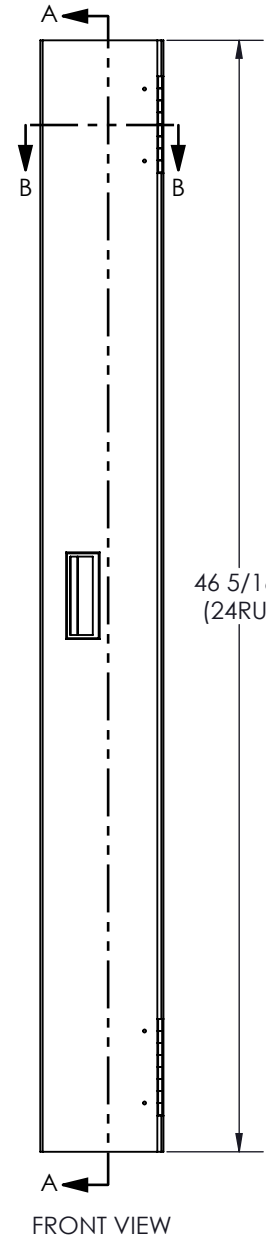


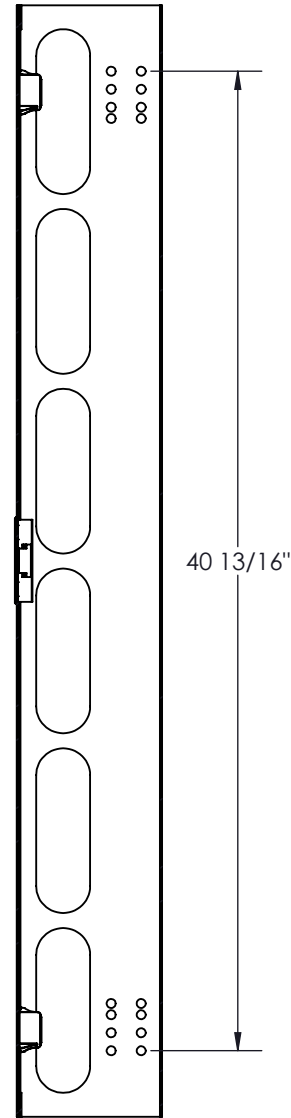
COLOR	PT# SUFFIX
BLACK	-BK
WHITE	-WH
GREY	-GY



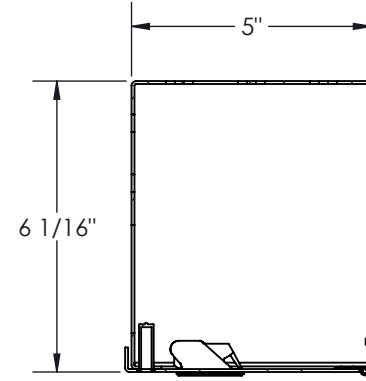
REAR VIEW



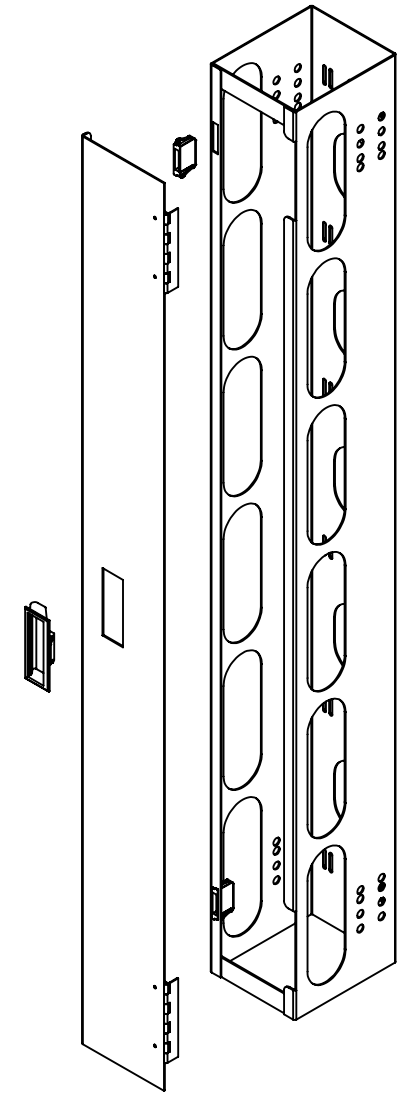
FRONT VIEW



SECTION A-A



SECTION B-B
SCALE 1 : 4



NOTES:

- 1 - APPROX. WEIGHT: 14.8 LBS.
- 2 - FINISH: TEXTURE POWDER COAT
- 3 - SHIPS WITH (8) SETS OF BOLTS 1/4"-20 X 3/4"
- 4 - MAT'L: 16GA (0.60") CRS
- 5 - CONSTRUCTION: FULLY WELDED
- 6 - CABLE MANAGEMENT IS REVERSIBLE LH OR RH OPENING

REV.	DESCRIPTION	DATE	APPR.	STOCK
REVISIONS				

<p>Electron METAL PROUDLY MANUFACTURED IN CANADA</p> <p>CONFIDENTIAL THE INFORMATION CONTAINED IN THIS DRAWING IS THE SOLE PROPERTY OF ELECTRON METAL A.I.G. INC. ANY REPRODUCTION IN PART OR AS A WHOLE WITHOUT THE WRITTEN PERMISSION OF A.I.G. ELECTRON METAL INC IS PROHIBITED.</p>	DRAWN BY: E. DUCHESNEAU	TITLE: VERTICAL CABLE MGT 5 x (42) x 6				
	CHECKED BY: E. DUCHESNEAU	PROJECT: G:\SWDwgs\CableMgt\CableMgt_Racks\VertCableMgt\	FILE: VertCableMgtAssy5x6x42_1305024805_Eng			
APPROVED BY:	PART NO.: CMRSTD-052406	DWG NO.: 1305024805	REV.: -	SCALE: 1:8	DATE: 2007-12-21	SHEET: 1 / 1