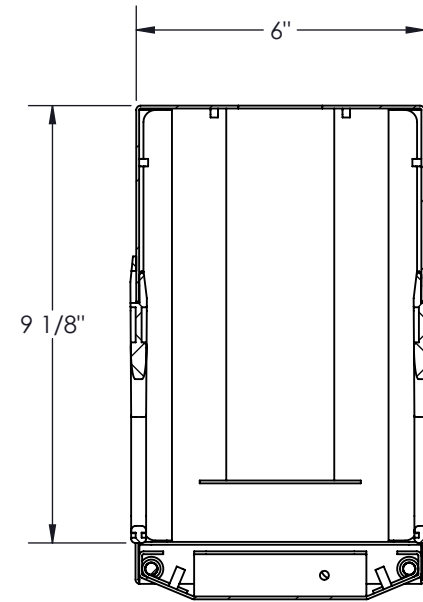


NO.	NOTE	DESCRIPTION	QTY
1	2300-002 - 6 x 9	BODY 48RU (84)	1
2	1305020805 - 7.75"	SPOOL BRACKET	8
3	2300-003	2 WAY BEVELLED DOOR 44RU 6 x (84)	1
4	1305020804 - 3.5"	SPOOL END PLATE	8
5	1305020806 - 7.75"	SPOOL	8
6	1305038739 - 3.5"	PLASTIC CABLE MGT FINGERS	2
7	1305038739 - 8.75"	PLASTIC CABLE MGT FINGERS	18



SECTION B-B
SCALE 1 : 4

RÉV.	DESCRIPTION	DATE	APPR.	INV.
RÉVISIONS				

Electron METAL PROUDLY MANUFACTURED IN CANADA.

PROPRIETARY AND CONFIDENTIAL
THE INFORMATION CONTAINED IN THIS DRAWING IS THE SOLE PROPERTY OF A.I.G. ELECTRON METAL INC. ANY REPRODUCTION IN PART OR AS A WHOLE WITHOUT THE WRITTEN PERMISSION OF A.I.G. ELECTRON METAL INC IS PROHIBITED.

DRAWN BY:
E.D.
CHECKED BY:
E.D.

Title:
HIGH DENSITY CABLE MGT 6 x (84) x 9 WITH DOOR

PROJECT:
G:\SWDwgs\Racks\Zone4_4PostRack\GestionsCables\Simple\Ensembles\

FILE:
GestHD6x84x9AvecPorte_2300-001_Eng

PART NO.:
CMRHZD-064809

DRAWING NO.:
2300-001

REV.:
-

SCALE:
1:16

DATE:
2018-05-14

SHEET:
1 / 1

APPROVED BY: